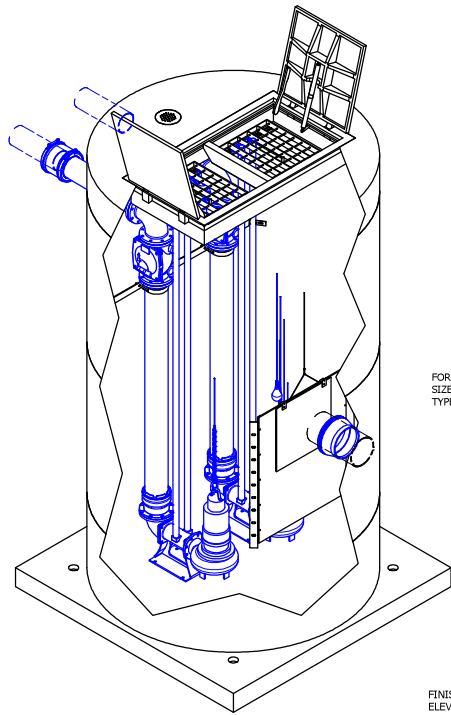
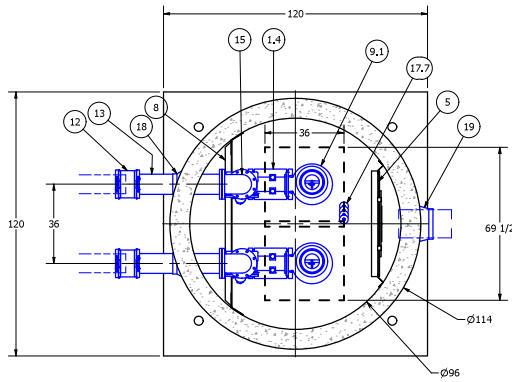


2.02 MECHANICAL PLANS



FORCE MAIN (BY OTHERS)
SIZE: 8"
TYPE: HDPE DR13.5 IPS (DUAL)

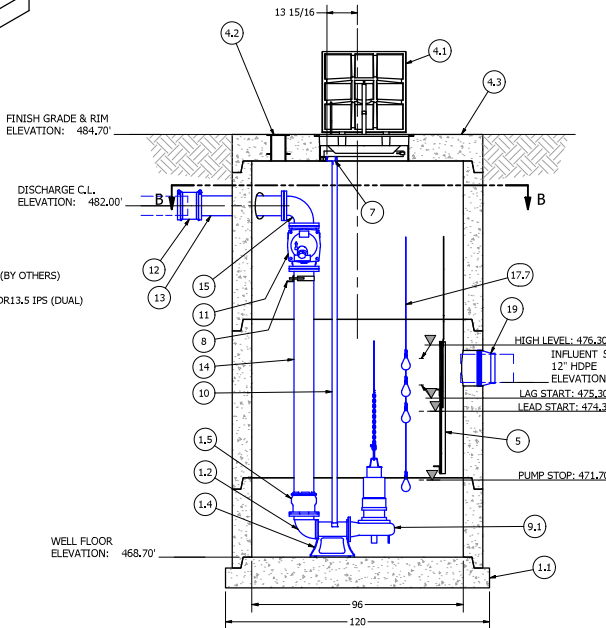


**TOP VIEW
SECTION B-B
SCALE 1 / 28**

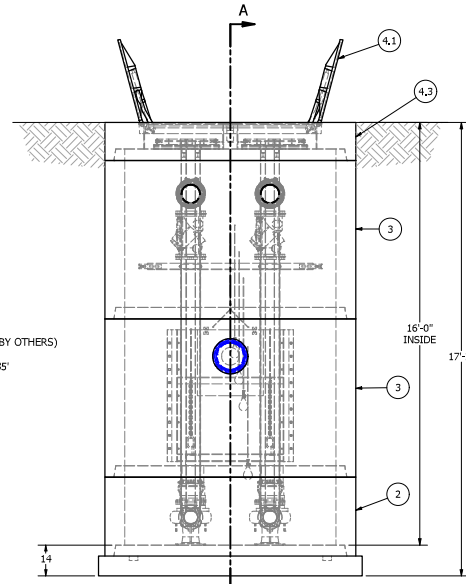
PRIMARY SENSOR ELEVATION TABLE		
DESCRIPTION	ELEVATION	Δ
INFLUENT INVERT	475.35'	
HIGH LEVEL ALARM	476.30'	1.00'
LAG PUMP START	475.30'	1.00'
LEAD PUMP START	474.30'	2.60'
PUMP STOP	471.70'	3.00'
WELL FLOOR	468.70'	

PARTS LIST			
ITEM	QTY	STOCK NUMBER	DESCRIPTION
1	1	10-CB000000	BASE SLAB ASSEMBLY
1.1	1	10-CB0812CP	BASE - Ww - 8ft DIA x 12in - 10ftx10ft UPLIFT
1.2	2	31-EL0608EB	DISCHARGE ELBOW - 6in x 8in - EBARA
1.3	2	31-HW00AKSG	ANCHOR KIT - 316SS - DISCHARGE ELBOW
1.4	2	31-QD06LLEB	QDC - 6in - LL150
1.5	2	44-AD089MFL	FLANGE ADAPTER - 8in - ALPHA
2	1	12-CR0836CP	BARREL - 8ft DIA x 3ft H
3	2	12-CR087200	BARREL - 8ft DIA x 6ft H
4	1	14-CT000000	TOP SLAB ASSEMBLY
4.1	1	13-HH3674DG	HATCH - DI - 36in x 74in - SAFETY GRATE
4.2	1	13-VT0000CS	VENT - STEEL - TRAFFIC AREAS
4.3	1	14-CT08FD00	TOP SLAB - 8ft DIA - H-20 - DUPLEX - FULL TRAFFIC
5	1	15-DP080500	DEFLECTOR PANEL ASSEMBLY - 8ft DIA x 5ft
6	2	17-AC38000B	BOLT KIT - UPPER GUIDE BAR BRACKET
7	2	17-UG025AEB	BRACKET - UPPER GUIDE BAR - 304SS - EBARA
8	1	18-BR000000	BRACKET ASSEMBLY - 316SS - DISCHARGE SUPPORT
9	1	30-PU000000	PUMP SHIPPING CRATE
9.1	2	30-PU0000EB	PUMP - EBARA 1500L/FUG.7.5 - 10HP
9.2	2	32-AC0000EB	LIFTING SLING - 18ft CHAIN 55 9/32in
9.3	2	32-CG5500EB	CABLE SUPPORT GRIP - 304SS - 1in-1.24in
9.4	1	32-PLGE0000	GRIP EYE UNIT
10	56.0 ft	40-PP020054	PIPE - 304SS SCH40 - 2in DIA
11	2	42-SF0800D0	CHECK VALVE - SWING FLEX - 8in
12	2	44-CP080AD0	COUPLING - 8in - ROMAC ALPHA
13	2	45-FP080420	SPOOL - DI - 8in DIA x 42in - FLGxPE
14	2	45-FP081140	SPOOL - DI - 8in DIA x 114in - FLGxPE
15	2	46-EL0890DI	ELBOW - DI - 8in x 90deg - FLGxFLG
16	6	49-GS080000	GASKET - FLANGE - 8in
17	1	50-AC000000	WELL SHIPPING CRATE
17.1	1	13-KH000000	HATCH KEY
17.2	3	18-AC000000	CABLE HANGER ASSEMBLY - 316SS
17.3	4	18-HD080000	LIFTING CLUTCH - 8 TON
17.4	1	51-AC000NB	NEVER SIEZE - TUBE
17.5	90 ft	51-JWC52120	JOINT WRAP - 12in - CONSEAL CS-212
17.6	90 ft	51-SE0101SL	JOINT SEALANT - 12in - CONSEAL CS-202
17.7	4	80-F520MSNL	FLOAT - 20m - MS1 - NOLTA
18	2	59-KB1208DI	KOR-N-SEAL - 12in CORE x 8in DIPS PIPE
19	1	59-KB1612P0	KOR-N-SEAL - 16in CORE x 12in PVC PIPE

**NOTE: TOP SLAB AND HATCH ARE
H-20 FULL TRAFFIC RATED**



**PROFILE VIEW
SECTION A-A
SCALE 1 / 28**



**FRONT VIEW
SCALE 1 / 28**

FOR PRODUCTION

**8" DIAMETER WET WELL
8" DISCHARGE PIPING
DUPLEX EBARA PUMPS**

COLOR LEGEND

- MAJOR CONCRETE COMPONENTS WITH PRE-INSTALLED COMPONENTS.
- COMPONENTS PRE-ASSEMBLED TO THE EXTENT POSSIBLE AND WILL NEED TO BE FIELD INSTALLED.

NOTE: PRE-ASSEMBLY IS DONE AT ROMTEC UTILITIES' DISCRETION AND MAY CHANGE AT THE TIME OF PRODUCTION.

NOTE: ALL DIMENSIONS AND ELEVATIONS SHOWN ARE NOMINAL DIMENSIONS. IT IS THE RESPONSIBILITY OF THE ON-SITE CONTRACTOR OR ROMTEC UTILITIES CUSTOMER (NOT ROMTEC UTILITIES) TO VERIFY THE ACCURACY OF ANY CRITICAL DIMENSIONS OR ELEVATIONS PRIOR TO SETTING OR INSTALLING ANY EQUIPMENT.

NOTE:
CONDUIT TO CONTROL PANEL (BY OTHERS)
MINIMUM:
(2) FOR POWER
(3) FOR LEVEL SENSING

FORCE MAIN (BY OTHERS)
SIZE: 8"
TYPE: HDPE DR13.5 IPS (DUAL)

ALL MATERIALS SHOWN ON THIS SHEET WILL BE SUPPLIED BY ROMTEC UTILITIES AND DELIVERED TO THE SITE AFTER THE HOLE HAS BEEN EXCAVATED AND SHORED. THE CONTRACTOR SHALL SUPPLY A CRANE OF SUFFICIENT SIZE TO LOWER ALL THE CONCRETE PIECES INTO THE HOLE SAFELY. THE CONTRACTOR SHALL INSTALL THE WET WELL (AND VALVE VAULT AND METERING VAULT IF APPLICABLE). ROMTEC UTILITIES WILL PROVIDE A REPRESENTATIVE FOR TECHNICAL ASSISTANCE ON THE DAY OF INSTALLATION TO ANSWER ANY QUESTIONS THAT MAY ARISE. THE CONTRACTOR IS RESPONSIBLE FOR ALL PLUMBING AND ELECTRICAL CONNECTIONS AND INSTALLATION. ITEMS NOTED AS "BY OTHERS" WILL BE PROVIDED AND INSTALLED BY THE CONTRACTOR. ROMTEC UTILITIES WILL NOT INSTALL ANY OF THE COMPONENTS SHOWN ON THIS PAGE.



© 2020 ROMTEC INC. ALL RIGHTS RESERVED. THESE PLANS AND DRAWINGS MAY NOT BE REPRODUCED, ADAPTED OR FURTHER DISTRIBUTED, AND NO COMPONENTS MAY BE CONSTRUCTED FROM THESE PLANS, WITHOUT WRITTEN PERMISSION OF ROMTEC, INC.

REV	DATE	DESCRIPTION	BY	CHK
2	1/19/2020	UPDATED BASE THICKNESS PER PRECASTER		
1	10-2-20	ISSUE FOR CONSTRUCTION		

VERIFY SCALE
DATE: 10-2-20

ROMTEC UTILITIES
18250 NORTH BANK ROAD
SAN DIEGO, CA 92128
PHONE: (619) 496-9879
WWW.ROMTECUTILITIES.COM

ROCKEFELLER AIRWAY
SAN DIEGO, CA
WET WELL ASSEMBLY
COMPONENT DRAWING