

PARTS LIST			
ITEM	QTY	STOCK NUMBER	DESCRIPTION
1	1	10-FW0000LD	FIBERGLASS WELL - DOUBLE WALL - LEAK DETECTION
2	1	10-FW1208DW	BASIN - FIBERGLASS - 12R DIA X 8R DEPTH - DOUBLE WALL
3	1	14-CT000000	TOP SLAB ASSEMBLY
3.1	1	13-HH3660AL	HATCH - 36inx60in - PED - SAFETY GRATE
3.2	3,4 ft	40-PP0300AL	PIPE - ALUM SCH40 - 3in DIA
3.3	2,3 ft	40-PP0500AL	PIPE - ALUM SCH40 - 6in DIA
3.4	1,7 ft	40-PP0800AL	PIPE - ALUM SCH40 - 8in DIA
3.5	0,7 ft	40-PP1000AL	PIPE - ALUM SCH40 - 10in DIA
3.6	0,3 ft	40-PP1200AL	PIPE - ALUM SCH40 - 12in DIA
3.7	2	44-CP0100AL	COUPLING - ALUM - 1in FNPT
3.8	2	44-CP1400AL	COUPLING - ALUM - 1.5in FNPT
3.9	3	48-FL0300WAL	FLANGE - ALUM - 3in - WELD
3.10	8,333 ft	50-AN0202AL	ANGLE - ALUMINUM - 2in x 2in x .25in
3.11	68,083 ft	50-AN0404AL	ANGLE - ALUMINUM - 4in x 4in x .25in
3.12	2	50-SHD000AL	SHEET - ALUMINUM - 1/4in
3.13	2	50-SHD000AL	SHEET - ALUMINUM - 1/4in
3.14	1	50-SHD00PAL	SHEET - 1/4in ALUMINUM - FLOOR PLATE
3.15	18,000 ft	50-US0000AL	STRUT CHANNEL - ALUMINUM - 1.75in TALL
4	1	15-CP40300	COUPLING - FERNCO - 4in x 3in
5	2	17-AC38000AL	BOLT KIT - UPPER GUIDE BAR BRACKET
6	2	17-UG0200GD	BRACKET - UPPER GUIDE BAR BRACKET - 2in - GOULDS
7	20	18-BR999999	BRACKET - TANK HOLD DOWN
8	1	30-PU000000	PUMP SHIPPING CRATE
8.1	2	33-PU0000GL	PUMP - GOULDS - 4NS12K4MF - 7.5HP - 50FT CABLE
8.2	2	33-AC0000GL	LIFTING ASSEMBLY - GOULDS - 8ft 9/32" S5 SS CHAIN
8.3	2	33-CGSS0000	CABLE SUPPORT GRIP - 304SS - 0.75in-0.99in
8.4	1	32-PLG00000	GRIP EYE LINIT
9	2	31-EL0406GL	DISCHARGE ELBOW - 4in x 6in - GOULDS
10	1	31-PL999999	PLATE - PUMP MOUNT
11	28,0 ft	40-PP0200S4	PIPE - 304SS SCH40 - 2in DIA
12	2	44-AD06RMAL	FLANGE ADAPTER - 6in - ALPHA
13	2	45-FP060780	SPOOL - DI - 6in DIA x 78in - FLGXPE
14	4	46-EL0645DI	ELBOW - DI - 6in x 45deg - FLGXFLG
15	1	48-FL030200	FLANGE - DI - 3in - BLIND - 2in TAP
16	2	49-GS030000	GASKET - FLANGE - 3in
17	7	59-LS030600	LINK SEAL - 3in x 6in
18	5	59-LS040800	LINK SEAL - 8in CORE x 4in PIPE
19	2	59-LS100600	LINK SEAL - 10in CORE x 6in PIPE
20	1	59-LS120800	LINK SEAL - 12in CORE x 8in PIPE
21	7	75-SP0318H8	INLET SPOOL ASSY - 3inx18,5in - FLGX45deg
21.1	1,6 ft	70-PP0300P8	PIPE - PVC SCH80 - 3in DIA
21.2	1	76-EL034580	ELBOW - PVC SCH80 - 3in x 45deg - SLIP
21.3	1	78-FL030080	FLANGE - PVC SCH80 - 3in
22	5	75-SP0418H8	INLET SPOOL ASSY - 4inx18,5in - FLGX45deg
22.1	1,5 ft	70-PP0400P8	PIPE - PVC SCH80 - 4in DIA
22.2	1	76-EL044580	ELBOW - PVC SCH80 - 4in x 45deg - SLIP
22.3	1	78-FL040080	FLANGE - PVC SCH80 - 4in
23	1	78-BH03308F	BLUSHING - PVC SCH80 - 3in x .75in - SPIG X FNPT
24	1	78-FL030080	FLANGE - PVC SCH80 - 3in

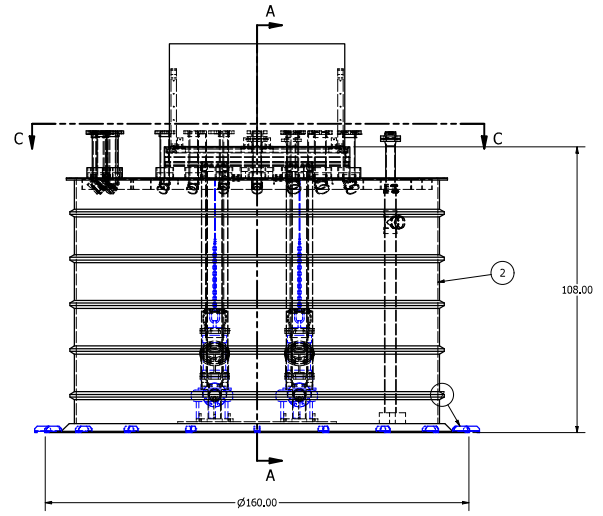
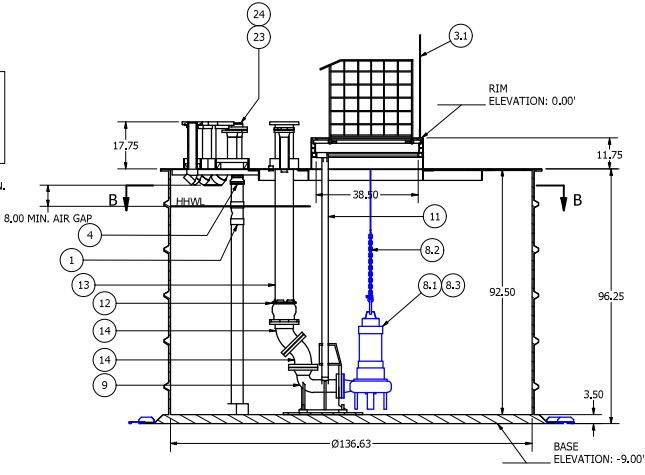
FOR DESIGN REVIEW

ALL LINK SEALS WILL BE INSTALLED BUT ONLY HAND TIGHT. THE INSTALLING CONTRACTOR WILL NEED TO CHECK ALL OF THE LINKS SEALS FOR PROPER TIGHTNESS ONCE THE TANK IS INSTALLED.

NOTE: TOP LID AND HATCH ARE PEDSTRIAN RATED

COLOR LEGEND
 ■ MAJOR CONCRETE COMPONENTS WITH PRE-INSTALLED COMPONENTS.
 ■ COMPONENTS PRE-ASSEMBLED TO THE EXTENT POSSIBLE AND WILL NEED TO BE FIELD INSTALLED.

NOTE: PRE-ASSEMBLY IS DONE AT ROMTEC UTILITIES' DISCRETION AND MAY CHANGE AT THE TIME OF PRODUCTION.



**12" DIAMETER WET WELL
 6" DISCHARGE PIPING
 GOULDS/4NS12K4MF
 DOUBLE WALL FIBERGLASS**

NOTE: ALL DIMENSIONS AND ELEVATIONS SHOWN ARE NOMINAL DIMENSIONS. IT IS THE RESPONSIBILITY OF THE ON-SITE CONTRACTOR OR ROMTEC UTILITIES CUSTOMER (NOT ROMTEC UTILITIES) TO VERIFY THE ACCURACY OF ANY CRITICAL DIMENSIONS OR ELEVATIONS PRIOR TO SETTING OR INSTALLING ANY EQUIPMENT.

© 2020 ROMTEC INC. ALL RIGHTS RESERVED. THESE PLANS AND DRAWINGS MAY NOT BE REPRODUCED, ADAPTED, OR FURTHER DISTRIBUTED, AND NO COMPONENTS MAY BE CONSTRUCTED FROM THESE PLANS, WITHOUT WRITTEN PERMISSION OF ROMTEC, INC.

ROMTEC UTILITIES

100 W NORTH BANK ROAD
 ROSELBURG, OREGON 97170
 PHONE: (541) 496-9678
 WWW.ROMTECUTILITIES.COM

NIROP
 FRIDLEY, MN

WET WELL ASSEMBLY

COMPONENT DRAWING

MECHANICAL SHEET
3 OF 4