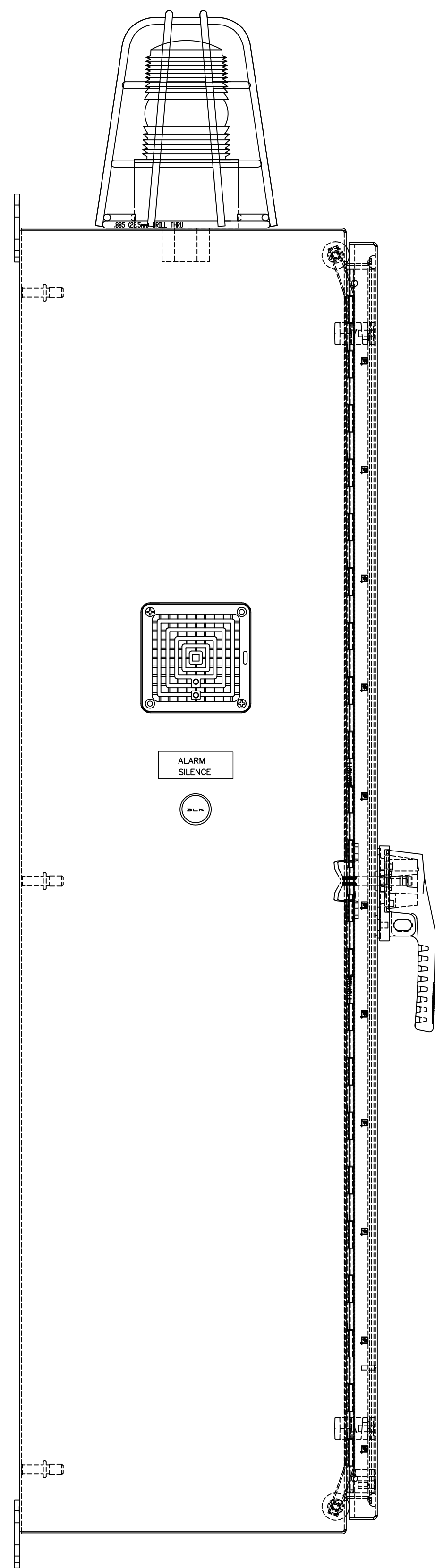
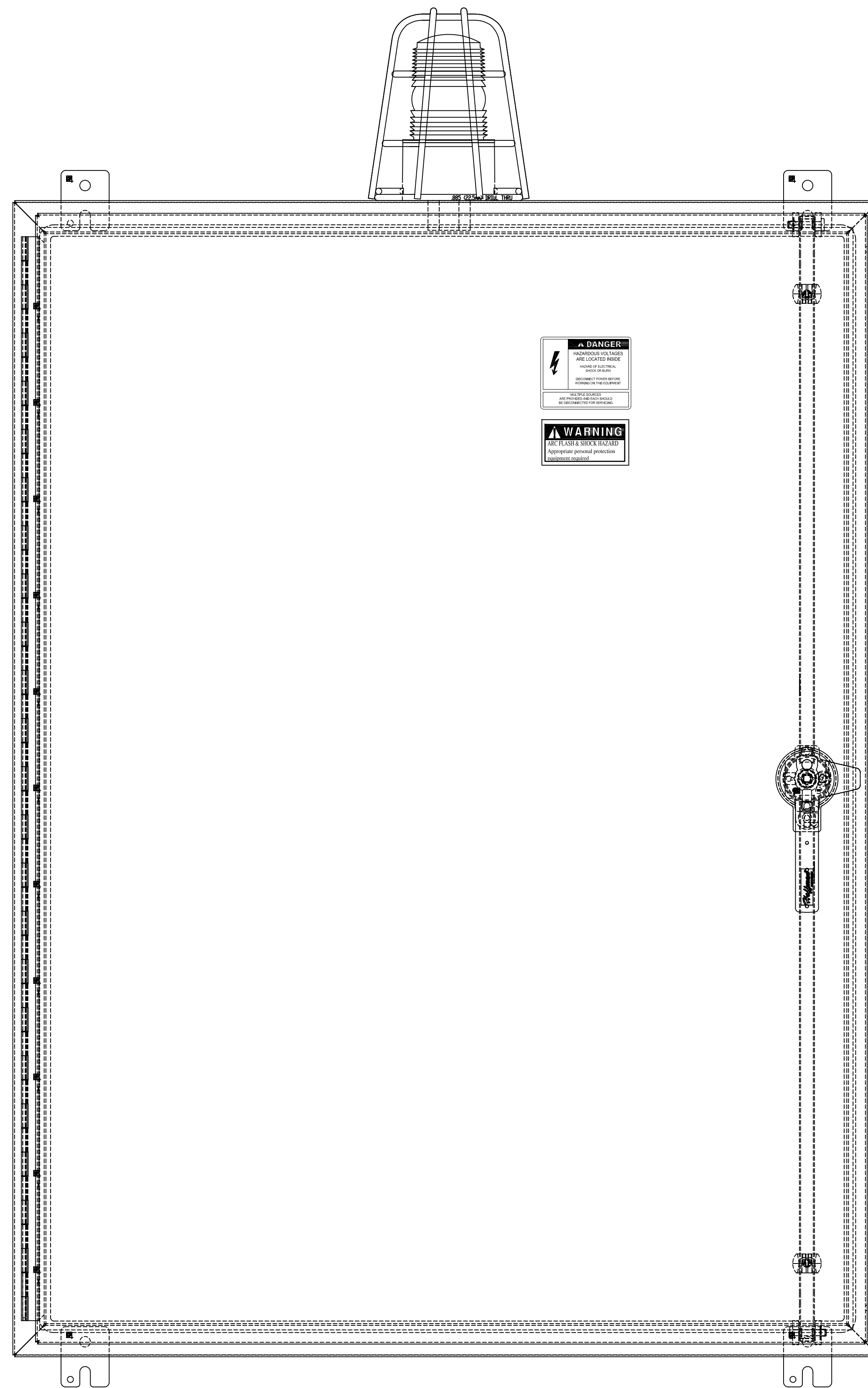


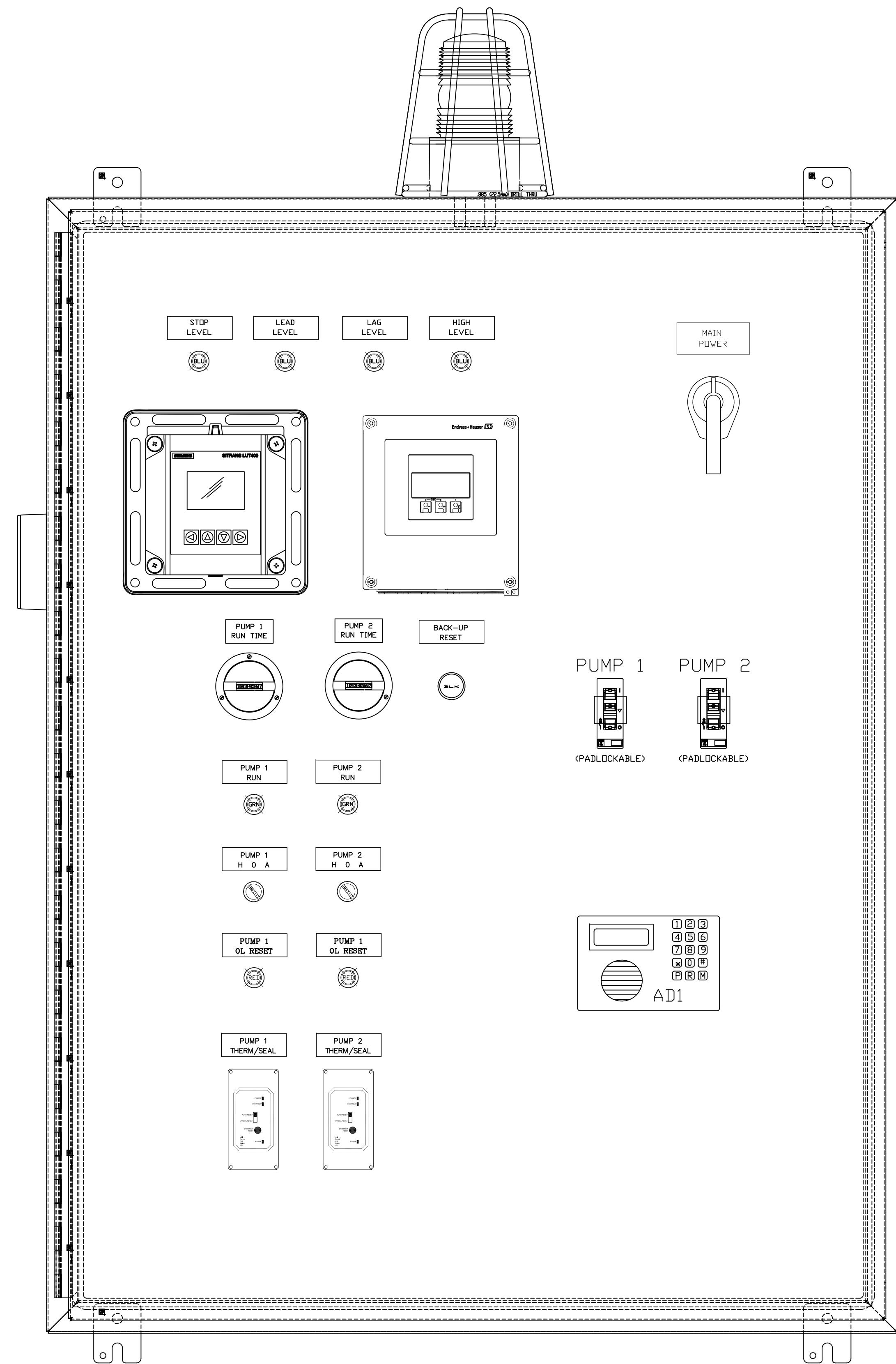
48" X 36" X 12" NEMA 4 ENCLOSURE



LEFT SIDE VIEW



FRONT VIEW



INNER DOOR VIEW

EASTSIDE SANITARY  
BAY AREA, CA  
CONTROL PANEL LAYOUT  
DUPLIX LIFT STATION

©2018 ROMTEC UTILITIES, INC. ALL RIGHTS RESERVED. THESE PLANS AND DRAWINGS MAY NOT BE REPRODUCED, ADAPTED, OR FURTHER DISTRIBUTED, AND NO COMPONENTS MAY BE CONSTRUCTED FROM THESE PLANS, WITHOUT WRITTEN PERMISSION OF ROMTEC UTILITIES, INC.

**ROMTEC UTILITIES**  
18240 NORTH BANK ROAD  
ROSEBURG, OREGON 97470  
PHONE: (541) 496-9678  
WWW.ROMTECUTILITIES.COM

PROJECT #: E0106D10  
DSN: DSN  
DRN: DRN  
CKD: CKD

DATE: 3/12/19

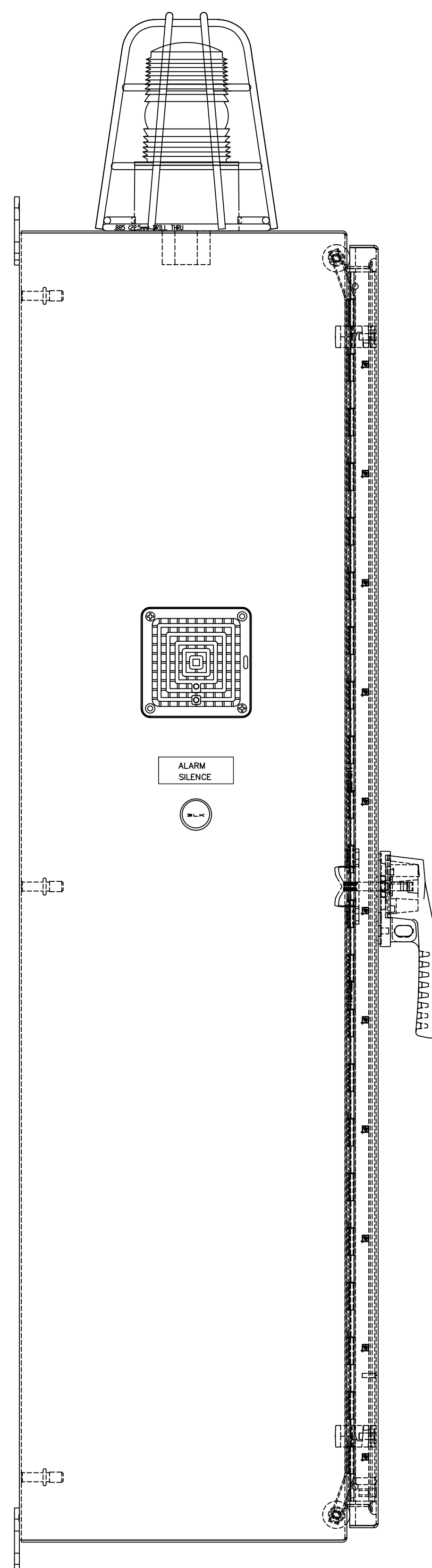
REV 0

DATE

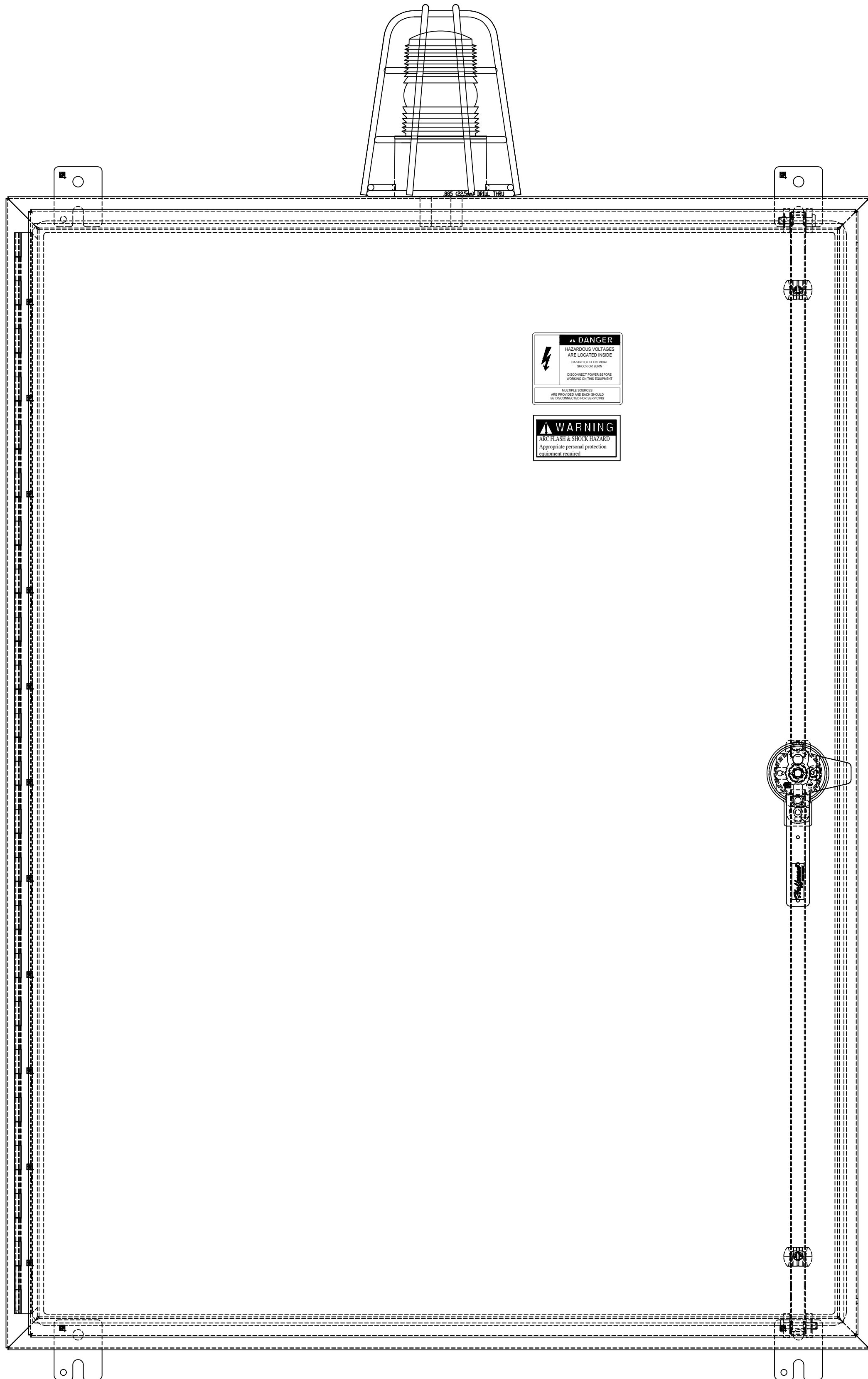
DESCRIPTION  
REVISION HISTORY

BY

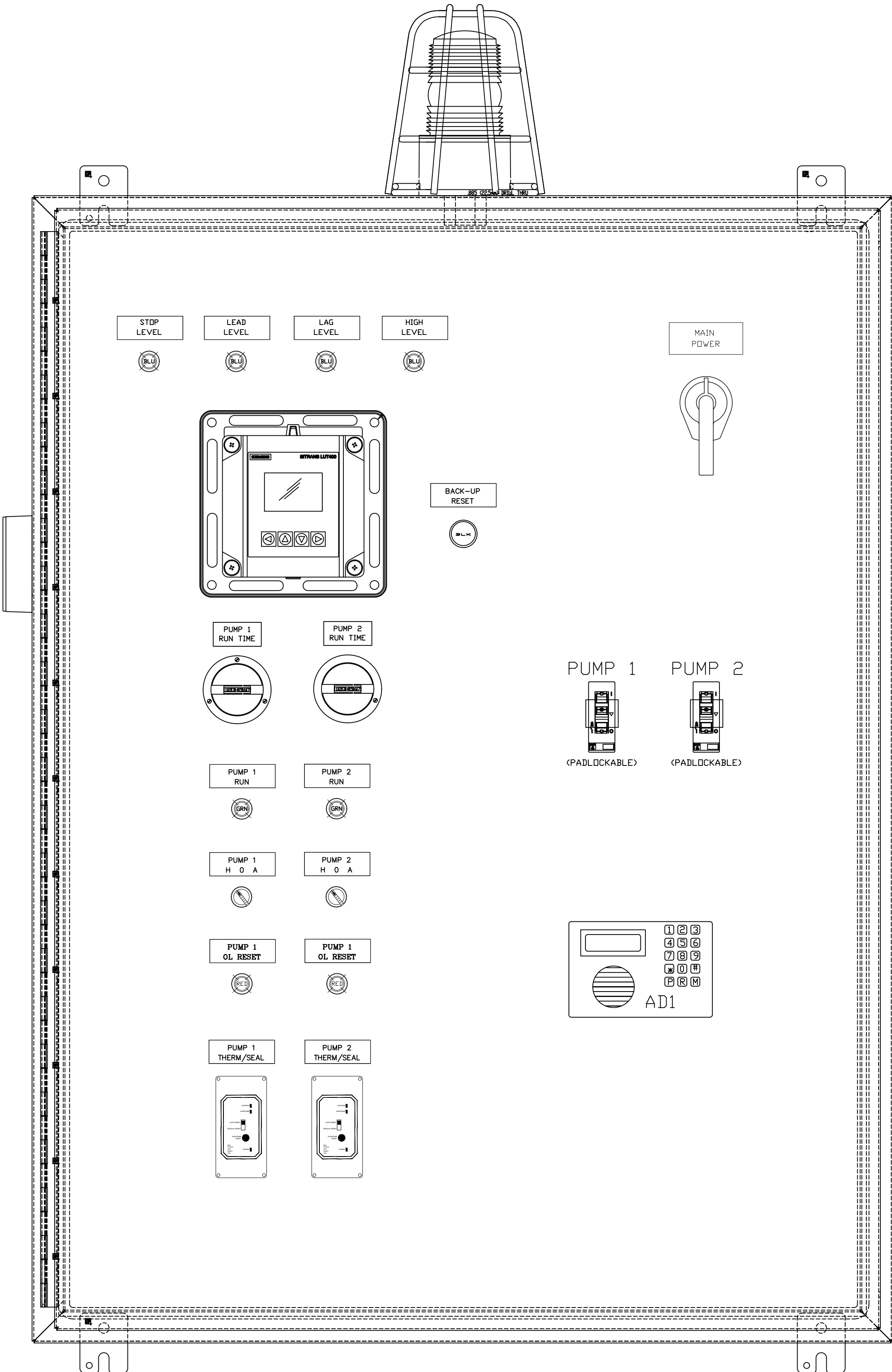
48" X 36" X 12" NEMA 4 ENCLOSURE



LEFT SIDE VIEW



FRONT VIEW



INNER DOOR VIEW

CUP LIFT STATION  
BAY AREA, CA  
CONTROL PANEL LAYOUT  
DUPLX LIFT STATION



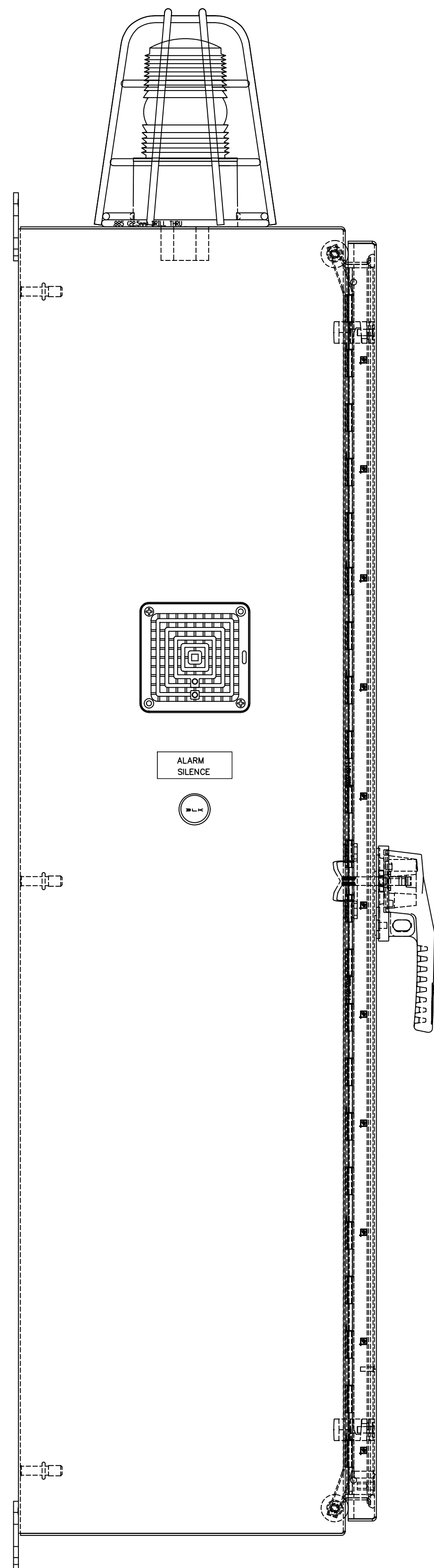
©2018 ROMTEC UTILITIES, INC. ALL RIGHTS RESERVED. THESE PLANS AND DRAWINGS MAY NOT BE REPRODUCED, ADAPTED, OR FURTHER DISTRIBUTED, AND NO COMPONENTS MAY BE CONSTRUCTED FROM THESE PLANS, WITHOUT WRITTEN PERMISSION OF ROMTEC UTILITIES, INC.

PROJECT #: EO106D10  
DSN:DSIN  
DRN:DRIN  
CKD:CKD  
DATE: 3/12/19

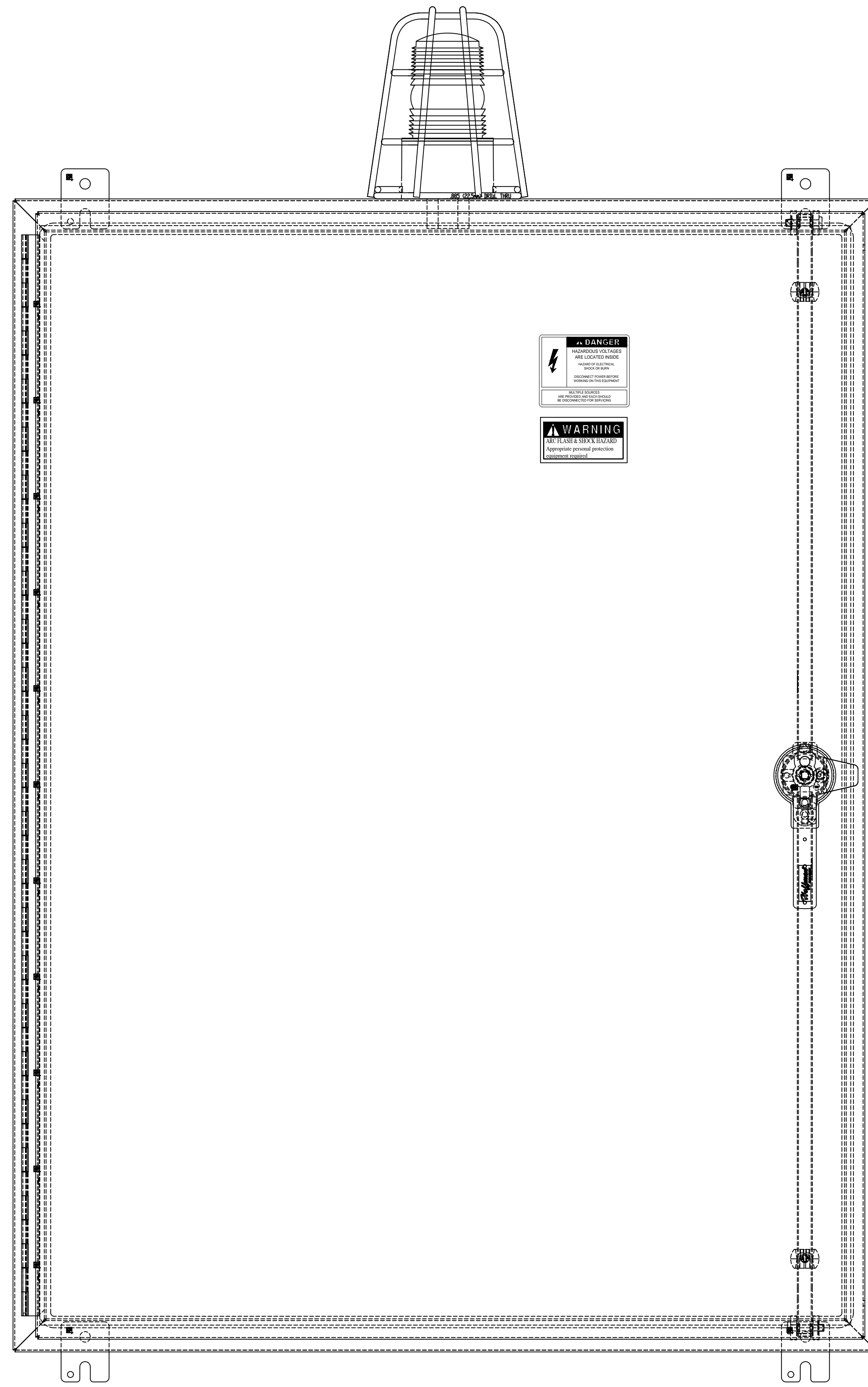
REV	DATE	DESCRIPTION
0		REVISION HISTORY

BY

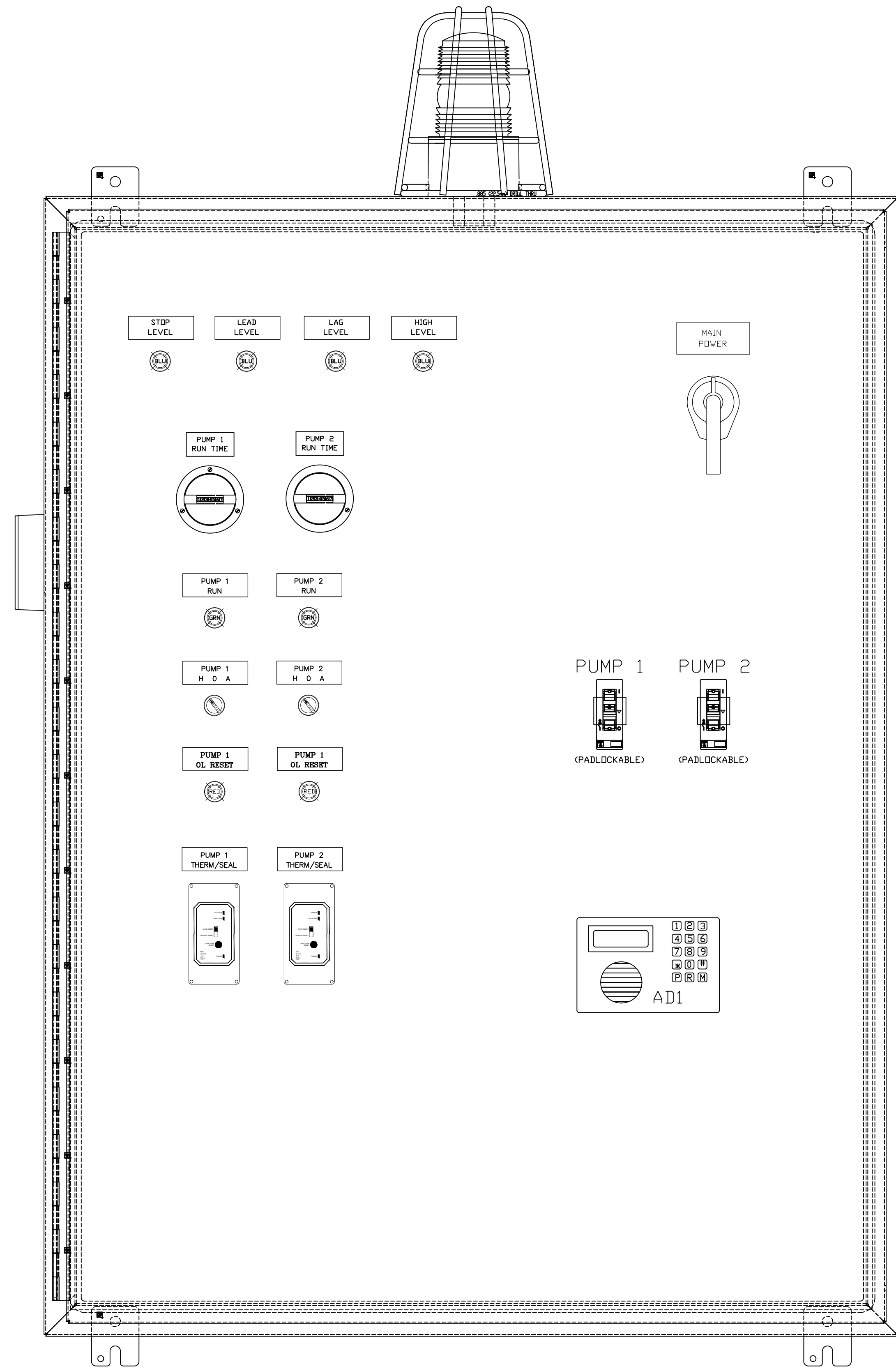
48" X 36" X 12" NEMA 4 ENCLOSURE



LEFT SIDE VIEW



FRONT VIEW



INNER DOOR VIEW

RAIN WATER "A" LIFT STATION  
 BAY AREA, CA  
 CONTROL PANEL LAYOUT  
 DUPLEXLIFT STATION

©2018 ROMTEC UTILITIES, INC. ALL RIGHTS RESERVED. THESE PLANS AND DRAWINGS MAY NOT BE REPRODUCED, ADAPTED, OR FURTHER DISTRIBUTED, AND NO COMPONENTS MAY BE CONSTRUCTED FROM THESE PLANS, WITHOUT WRITTEN PERMISSION OF ROMTEC UTILITIES, INC.

18240 NORTH BANK ROAD  
 ROSEBURG, OREGON 97470  
 PHONE: (541) 496-9678  
 WWW.ROMTECUTILITIES.COM

PROJECT #: E0106D10  
 DSN:DSN  
 DRN:DRN  
 CKD:CKD

DATE: 4/4/19

REV 0

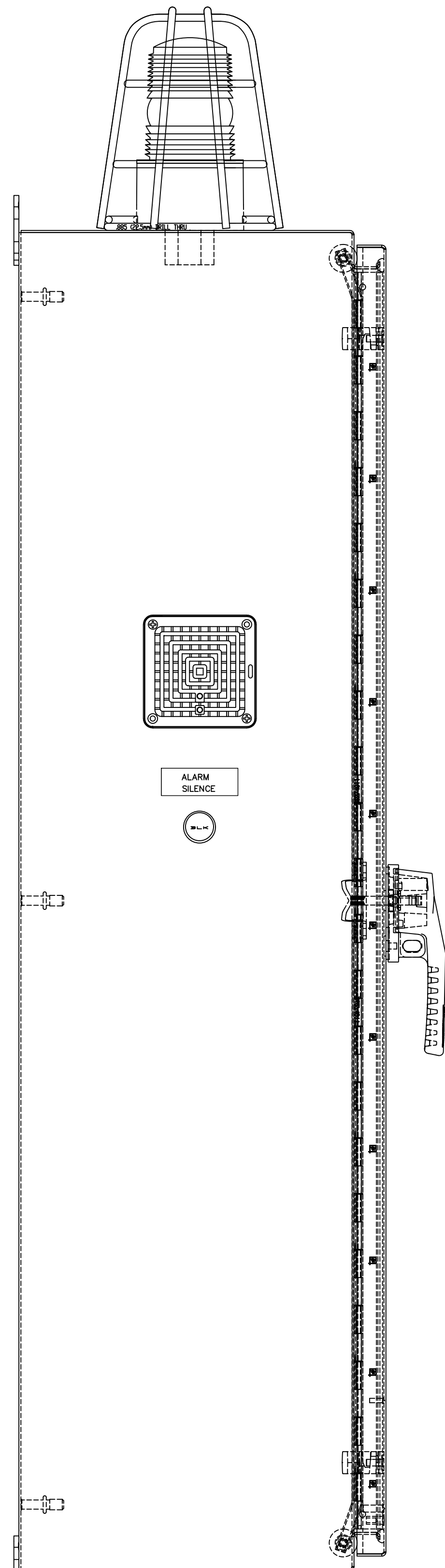
DATE

DESCRIPTION

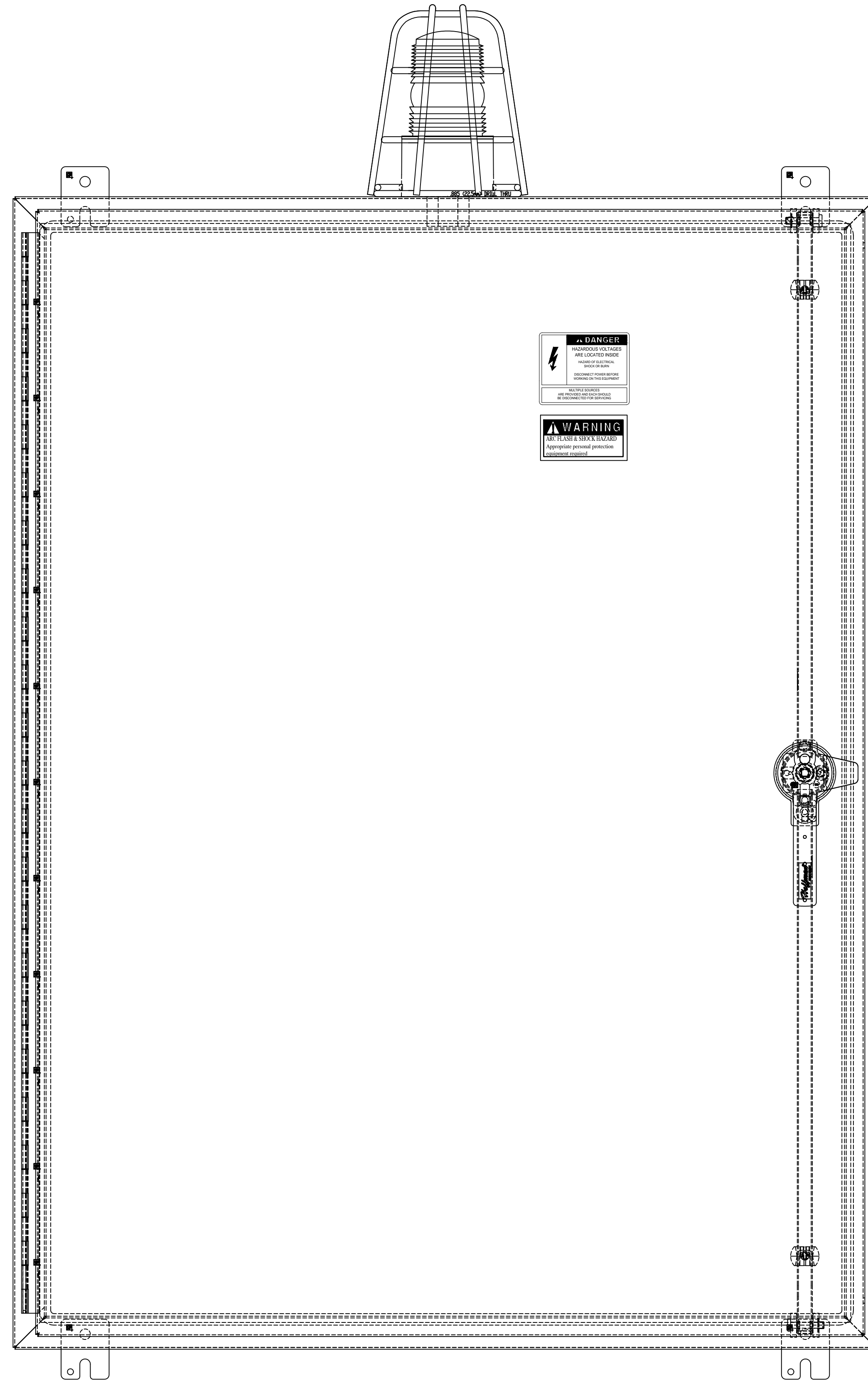
REVISION HISTORY

BY

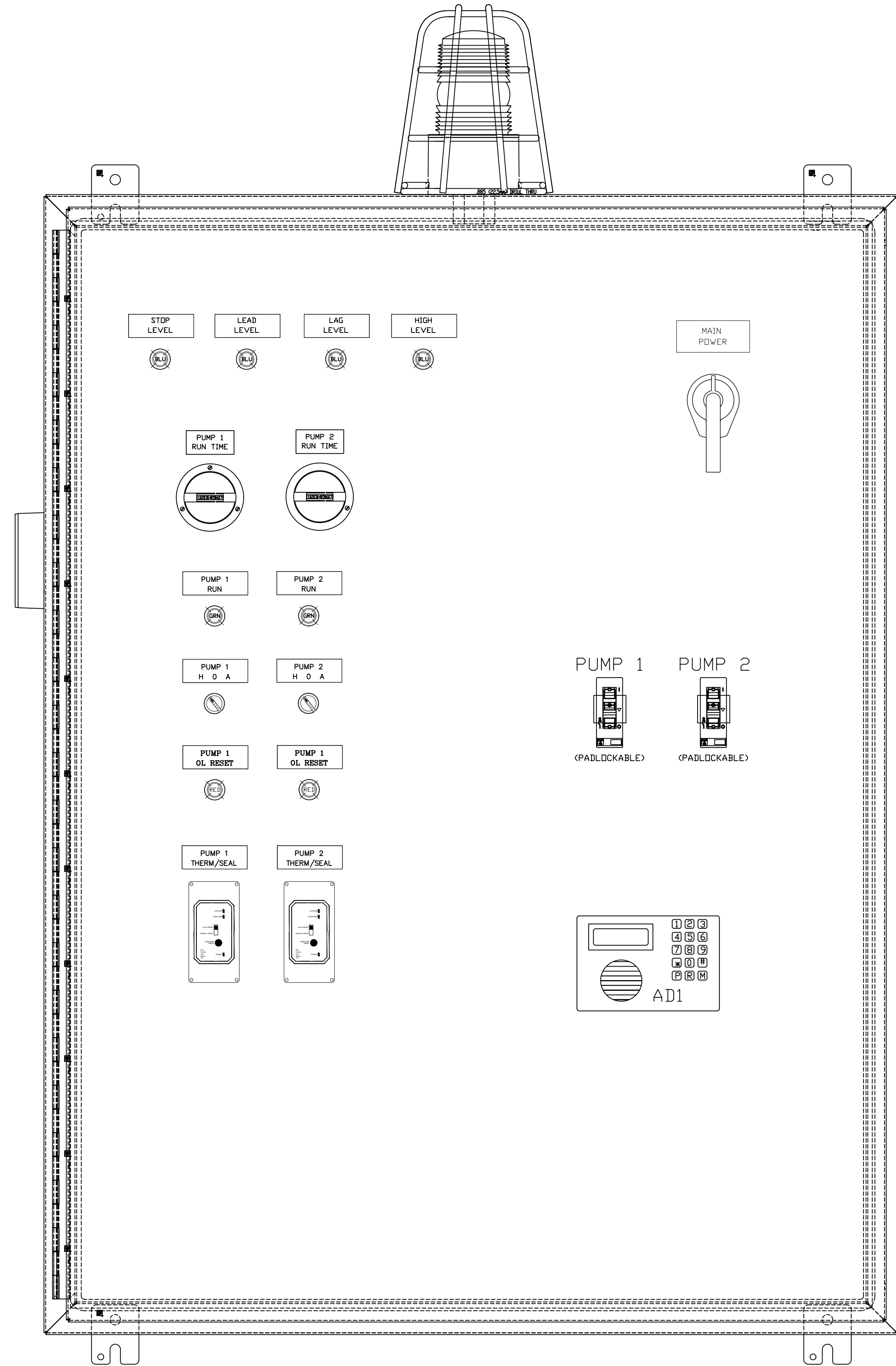
48" X 36" X 12" NEMA 4 ENCLOSURE



LEFT SIDE VIEW



FRONT VIEW



INNER DOOR VIEW

RAIN WATER "B" LIFT STATION  
 BAY AREA, CA  
 CONTROL PANEL LAYOUT  
 DUPLEXLIFT STATION

**ROMTEC UTILITIES**  
 18240 NORTH BANK ROAD  
 ROSEBURG, OREGON 97470  
 PHONE: (541) 496-9678  
 WWW.ROMTECUTILITIES.COM

©2018 ROMTEC UTILITIES, INC. ALL RIGHTS RESERVED. THESE PLANS AND DRAWINGS MAY NOT BE REPRODUCED, ADAPTED, OR FURTHER DISTRIBUTED, AND NO COMPONENTS MAY BE CONSTRUCTED FROM THESE PLANS, WITHOUT WRITTEN PERMISSION OF ROMTEC UTILITIES, INC.

PROJECT #: E0106D10  
 DSN:DSN  
 DRN:DRN  
 CKD:CKD  
 DATE: 3/15/19

REV	DATE	DESCRIPTION
0		

REVISION HISTORY

BY