

© 2021 ROMTEC INC. ALL RIGHTS RESERVED.  
 THESE PLANS AND DRAWINGS MAY NOT BE  
 REPRODUCED, ADAPTED, OR FURTHER  
 DISTRIBUTED, AND NO COMPONENTS MAY BE  
 CONSTRUCTED FROM THESE PLANS, WITHOUT  
 WRITTEN PERMISSION OF ROMTEC, INC.

REVISION HISTORY	
REV	DATE
0	7/22/21
1	7/23/21

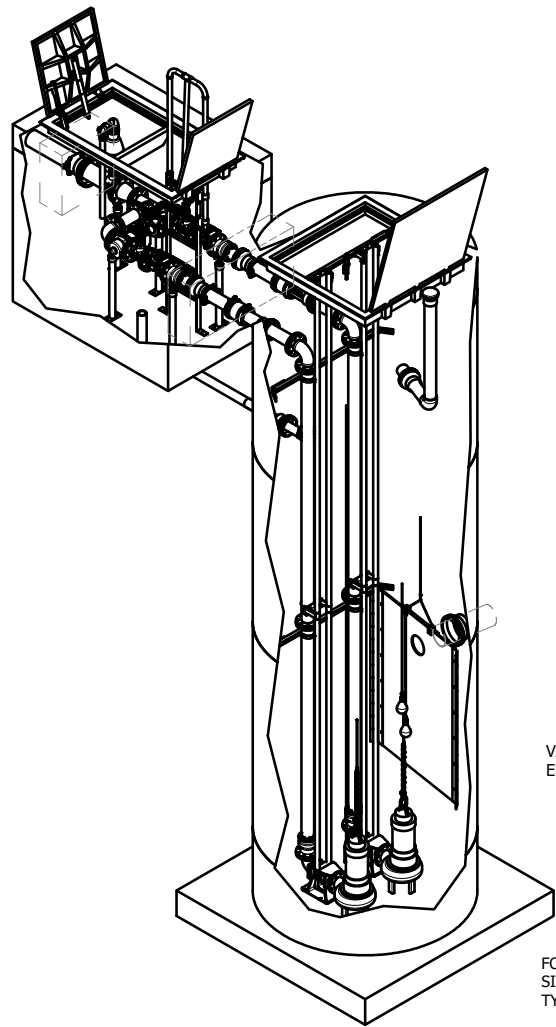
VERIFY SCALE  
 DRAWING AND BENT  
 DIMENSIONS FOR FIELD  
 WORK TOOLS ONE INCH  
 IF NOT ONE INCH ON  
 DRAWING, VERIFY  
 DIMENSIONS  
 DATE:

DSN:  
 DRN:  
 CKD:

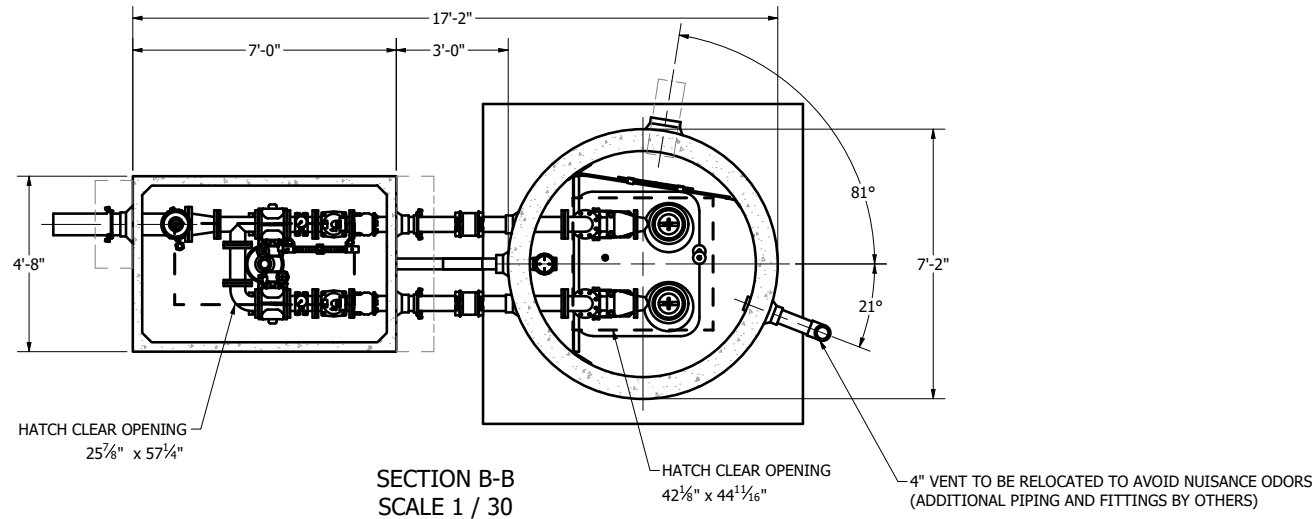
**ROMTEC UTILITIES**  
 18240 NORTH BANK ROAD  
 ROSEBURG, OREGON 97470  
 PHONE: (541) 496-9678  
 WWW.ROMTECUTILITIES.COM

WILSONVILLE HS AUDITORIUM  
 WILSONVILLE, OR  
 WASTEWATER PUMP STATION  
 LAYOUT DRAWING

**FOR DESIGN REVIEW**

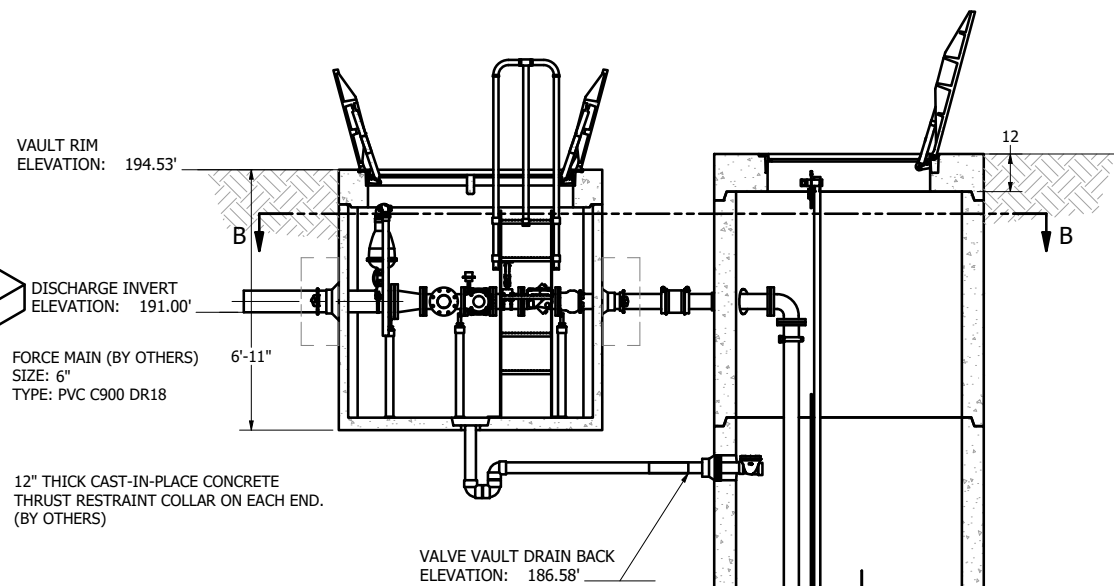


ISO VIEW  
SCALE 1 / 36

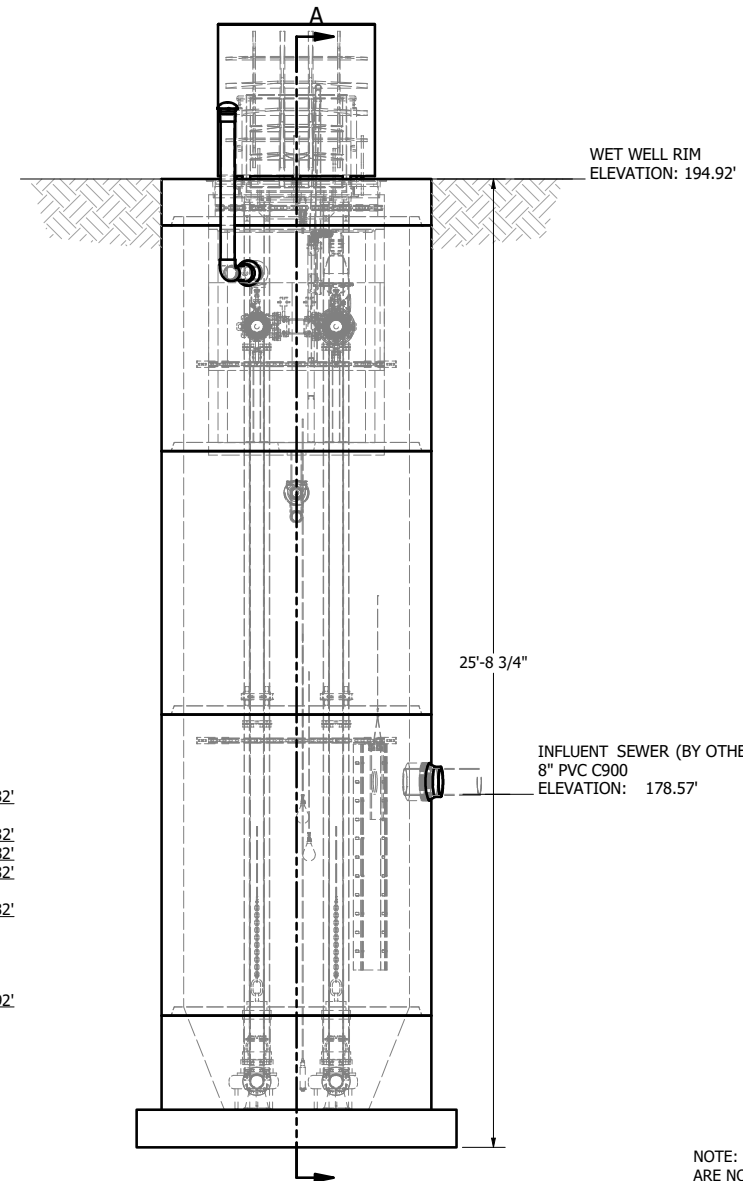


SECTION B-B  
SCALE 1 / 30

NOTE: TOP SLAB AND HATCH ARE  
H-20 TRAFFIC RATED



SECTION A-A  
SCALE 1 / 30



FRONT VIEW  
SCALE 1 / 30

**PUMP PACKAGE**  
CONFIGURATION: DUPLEX  
MODEL: EBARA 100DVFMU65.54  
HP: 7.5HP  
DUTY POINT: 328 GPM AT 26.9 TDH

**FEATURES**  
HATCH: H-20 TRAFFIC W/ GASKET  
DISCHARGE PIPING: 4" DUCTILE IRON  
PRIMARY LEVEL SENSING: PRESSURE TRANSDUCER  
BACKUP LEVEL SENSING: (2) FLOATS  
STAINLESS STEEL GUIDE RAILS  
QUICK CONNECT DISCHARGE ELBOWS  
4" PVC VENT  
4" VALVE VAULT W/  
AIR RELEASE VALVE  
3" SCH80 DRAIN

NOTE:  
CONDUIT TO CONTROL PANEL (BY OTHERS)  
MINIMUM:  
(2) FOR POWER  
(1) FOR LEVEL SENSING

ALL MATERIALS SHOWN ON THIS SHEET WILL BE SUPPLIED BY ROMTEC UTILITIES AND DELIVERED TO THE SITE AFTER THE HOLE HAS BEEN EXCAVATED AND SHORED. THE CONTRACTOR SHALL SUPPLY A CRANE OF SUFFICIENT SIZE TO LOWER ALL THE CONCRETE PIECES INTO THE HOLE SAFELY. THE CONTRACTOR SHALL INSTALL THE WET WELL (AND VALVE VAULT AND METERING VAULT IF APPLICABLE). ROMTEC UTILITIES WILL PROVIDE A REPRESENTATIVE FOR TECHNICAL ASSISTANCE ON THE DAY OF INSTALLATION TO ANSWER ANY QUESTIONS THAT MAY ARISE. THE CONTRACTOR IS RESPONSIBLE FOR ALL PLUMBING AND ELECTRICAL CONNECTIONS AND INSTALLATION. ITEMS NOTED AS "BY OTHERS" WILL BE PROVIDED AND INSTALLED BY THE CONTRACTOR. ROMTEC UTILITIES WILL NOT INSTALL ANY OF THE COMPONENTS SHOWN ON THIS PAGE.



© 2020 ROMTEC INC. ALL RIGHTS RESERVED.  
THESE PLANS AND DRAWINGS MAY NOT BE REPRODUCED, ADAPTED, OR FURTHER DISTRIBUTED, AND NO COMPONENTS MAY BE CONSTRUCTED FROM THESE PLANS, WITHOUT WRITTEN PERMISSION OF ROMTEC, INC.

VAULT RIM  
ELEVATION: 194.53'

DISCHARGE INVERT  
ELEVATION: 191.00'

FORCE MAIN (BY OTHERS)  
SIZE: 6"  
TYPE: PVC C900 DR18

12" THICK CAST-IN-PLACE CONCRETE  
THRUST RESTRAINT COLLAR ON EACH END.  
(BY OTHERS)

VALVE VAULT DRAIN BACK  
ELEVATION: 186.58'

(FLOAT) LAG START: 178.32'

(FLOAT) LEAD START: 177.32'

HIGH LEVEL: 176.82'

LAG START: 176.32'

LEAD START: 175.32'

PUMP STOP: 172.92'

WELL FLOOR  
ELEVATION: 170.19'

WELL BASE  
ELEVATION: 169.19'

WET WELL RIM  
ELEVATION: 194.92'

25'-8 3/4"

INFLUENT SEWER (BY OTHERS)  
8" PVC C900  
ELEVATION: 178.57'

NOTE: ALL DIMENSIONS AND ELEVATIONS SHOWN ARE NOMINAL DIMENSIONS. IT IS THE RESPONSIBILITY OF THE ON-SITE CONTRACTOR OR ROMTEC UTILITIES CUSTOMER (NOT ROMTEC UTILITIES) TO VERIFY THE ACCURACY OF ANY CRITICAL DIMENSIONS OR ELEVATIONS PRIOR TO SETTING OR INSTALLING ANY EQUIPMENT.

**FOR DESIGN REVIEW**

REV	DATE	DESCRIPTION	REVISION HISTORY
2	9/9/21	3" SCH80 DRAIN	
1	9/11/21	UPDATED INVERT IN ANGLE	
0	7/23/21	Updated Hatch H20 Traffic	

VERIFY SCALE	1"
DATE:	7-21-21
DSN:	KB
DRN:	KB
CKD:	

**ROMTEC UTILITIES**  
18240 NORTH BANK ROAD  
ROSEBURG, OREGON 97470  
PHONE: (541) 496-9678  
WWW.ROMTECUTILITIES.COM

WILSONVILLE HIGH SCHOOL  
WILSONVILLE, OR  
WASTEWATER PUMP STATION  
SYSTEM DRAWING