

THE ENCLOSURE SHOWN REPRESENTS THE INTENT OF THE DESIGN. OFTEN THE ENCLOSURE SIZE AND LAYOUT MUST CHANGE TO ACCOMMODATE THE REQUIRED COMPONENTS AND FINAL DESIGN. PLEASE CONTACT ROMTEC UTILITIES TO OBTAIN ACTUAL AS-BUILT DRAWINGS BEFORE INSTALLATION.

BELLA CRESTA LIFT STATION
MARYSVILLE, WA

CONTROL PANEL
LAYOUT DRAWING

ELECTRICAL SHEET
E7

©2018 ROMTEC UTILITIES INC. ALL RIGHTS RESERVED. THESE PLANS AND DRAWINGS MAY NOT BE REPRODUCED, ADAPTED, OR FURTHER DISTRIBUTED, AND NO COMPONENTS MAY BE CONSTRUCTED FROM THESE PLANS, WITHOUT WRITTEN PERMISSION OF ROMTEC UTILITIES, INC.

PROJECT #:
DSN: KAS
DRN: KAS
CKD: CKD

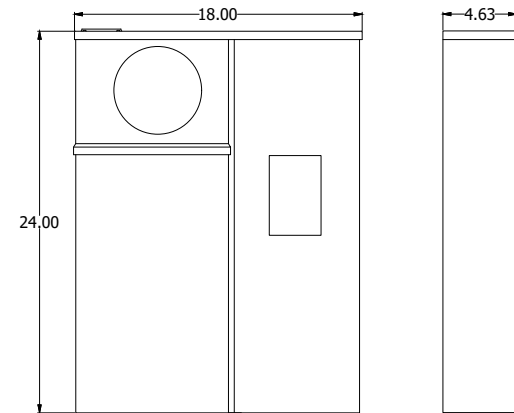
DATE: 2/24/21

REV	DATE	DESCRIPTION	BY
0			

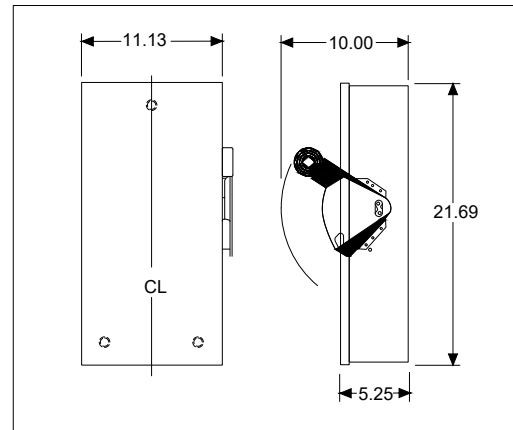
REVISION HISTORY

Self-contained Meter Main

Style #
U214MTB - NEMA 3R, 100AMP

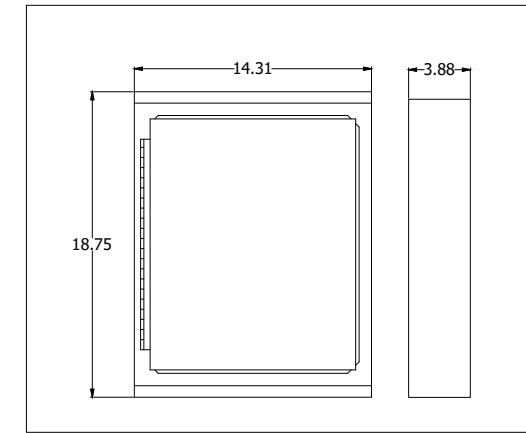


Safety Switch



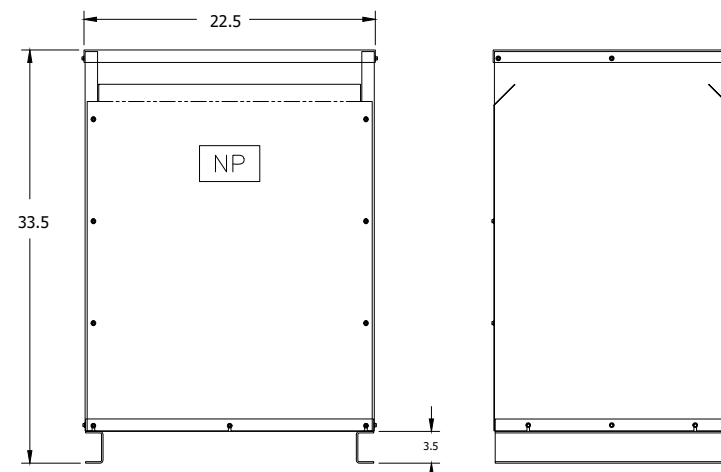
NEMA 3R Heavy-Duty
100 Amperes

Lighting Panel

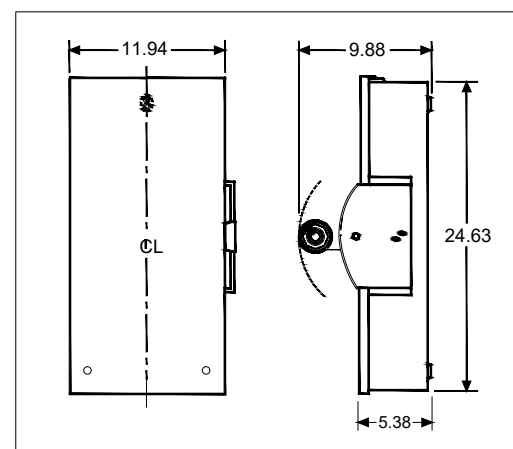


NEMA 3R
100 Amperes

Distribution Transformer

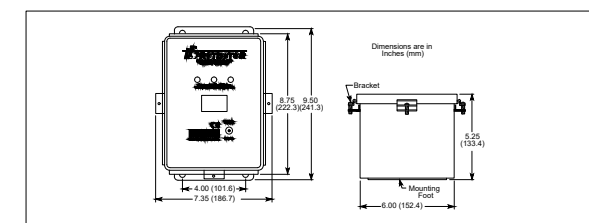


Manual Transfer Switch



NEMA 3R Double Throw
100 Amperes

Surge Protective Device



REV	DATE	DESCRIPTION	BY
0			

PROJECT #:
DSN: KAS
DRN: KAS
CKD: CKD
DATE: 2/24/21

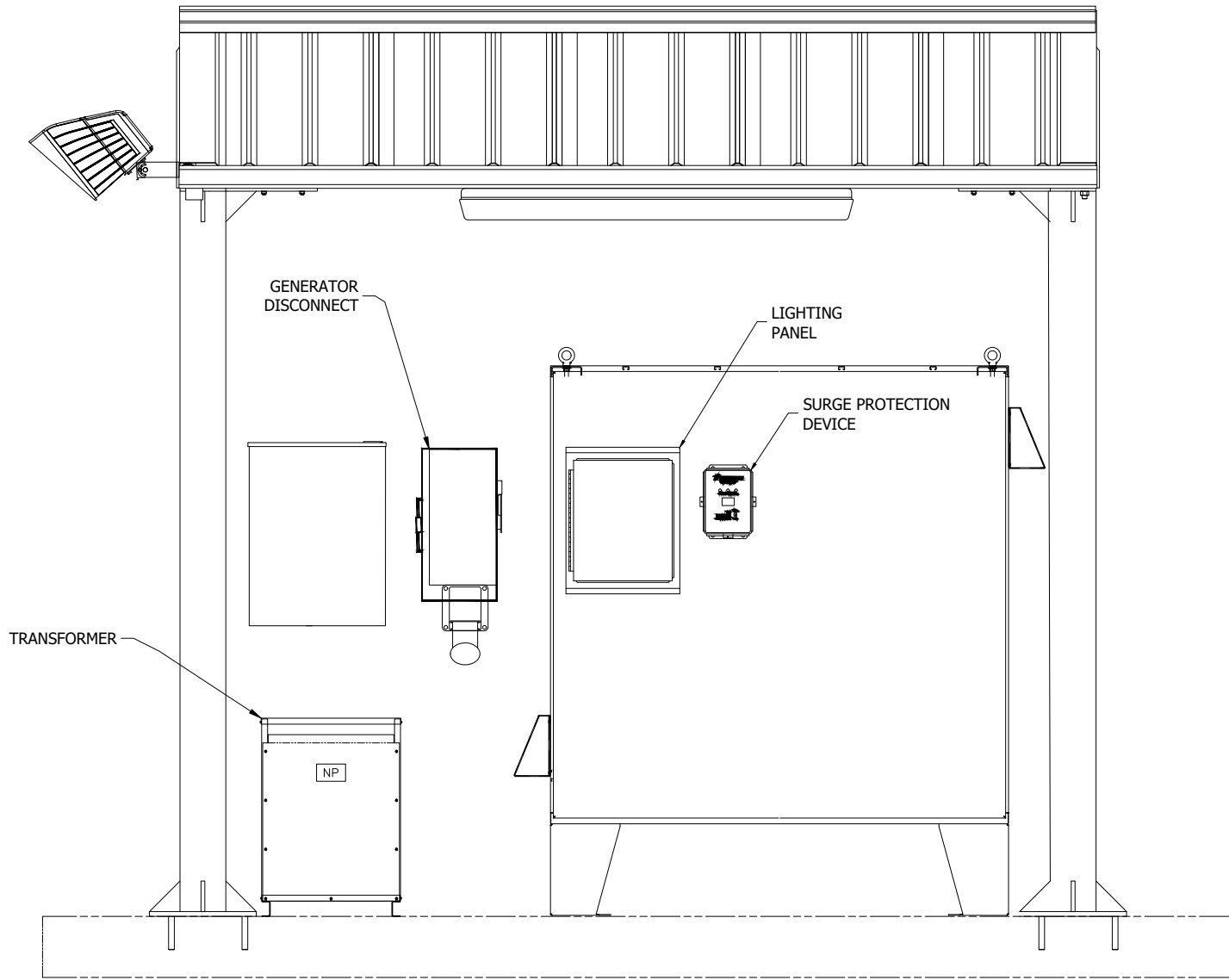
©2018 ROMTEC UTILITIES, INC.
ALL RIGHTS RESERVED. THESE
PLANS AND DRAWINGS MAY
NOT BE REPRODUCED,
ASAPATED, OR FURTHER
DISTRIBUTED, AND NO
COMPONENTS MAY BE
CONSTRUCTED FROM THESE
PLANS, WITHOUT WRITTEN
PERMISSION OF ROMTEC
UTILITIES, INC.

ROMTEC UTILITIES
18240 NORTH BANK ROAD
ROSEBURG, OREGON 97470
PHONE: (541) 496-9678
WWW.ROMTECUTILITIES.COM

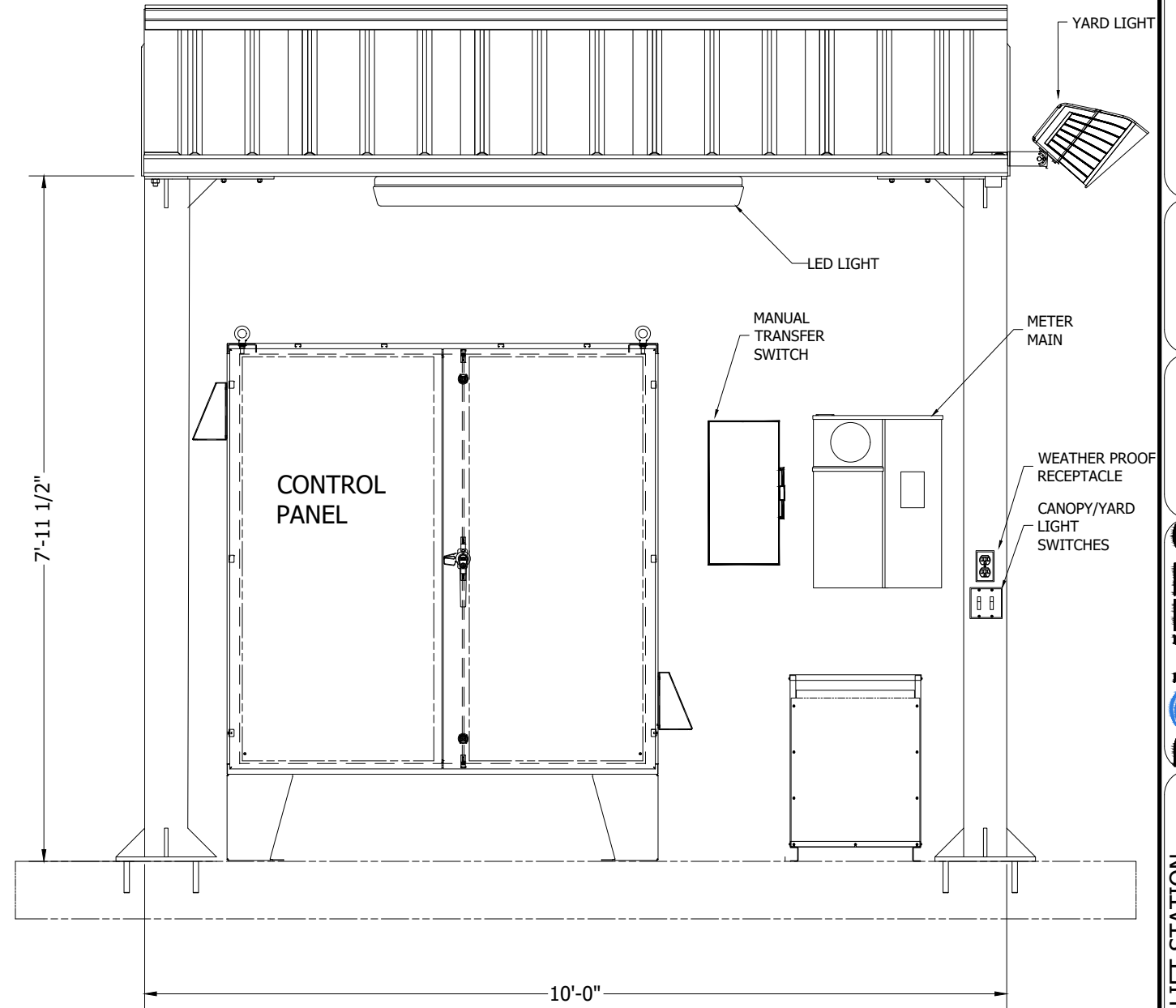
BELLA CRESTA LIFT STATION
MARYSVILLE, WA
MAIN SERVICE
UTILITY METER DISCONNECT
ELECTRICAL SHEET
E8

LIGHTING SCHEDULE							
LIGHT	TECHNOLOGY	APPLICATION	DESCRIPTION	MANUFACTURER	INPUT (VA)	VOLTAGE	COMMENTS
SHELTER	LED	WET, CEILING/OVERHEAD	6.77" X 51.65", RECTANGULAR.	ATLAS	48	120 VAC, 1 PH	5564 LUMENS, 4000 K COLOR, WET APPLICATION, FROSTED POLYCARBONATE LENS, IP67 RATED
AREA	LED	WET, CEILING/OVERHEAD	5" X 6-11/16", RECTANGULAR.	LITHONIA	66	120 VAC, 1 PH	6750 LUMENS, 4000 K COLOR, WET APPLICATION, FROSTED POLYCARBONATE LENS, IP67 RATED

NOTE: MOUNT ELECTRICAL EQUIPMENT TO UNISTRUT FRAME.



BACK VIEW



FRONT VIEW

©2018 ROMTEC UTILITIES INC. ALL RIGHTS RESERVED. THESE PLANS AND DRAWINGS MAY NOT BE REPRODUCED, ASPIRATED, OR FURTHER DISTRIBUTED, AND NO COMPONENTS MAY BE CONSTRUCTED FROM THESE PLANS WITHOUT WRITTEN PERMISSION OF ROMTEC UTILITIES, INC.

ROMTEC UTILITIES
 18240 NORTH BANK ROAD
 ROSEBURG, OREGON 97470
 PHONE: (541) 496-9678
 WWW.ROMTECUTILITIES.COM

BELLA VISTA LIFT STATION
 MARYSVILLE, WA
 CONTROL SHELTER
 LAYOUT DRAWING

PROJECT #:
 DSN: KAS
 DRN: KAS
 CKD: CKD

DATE: 2/24/21

REV	DATE	DESCRIPTION	BY
0			

ELECTRICAL SHEET E9