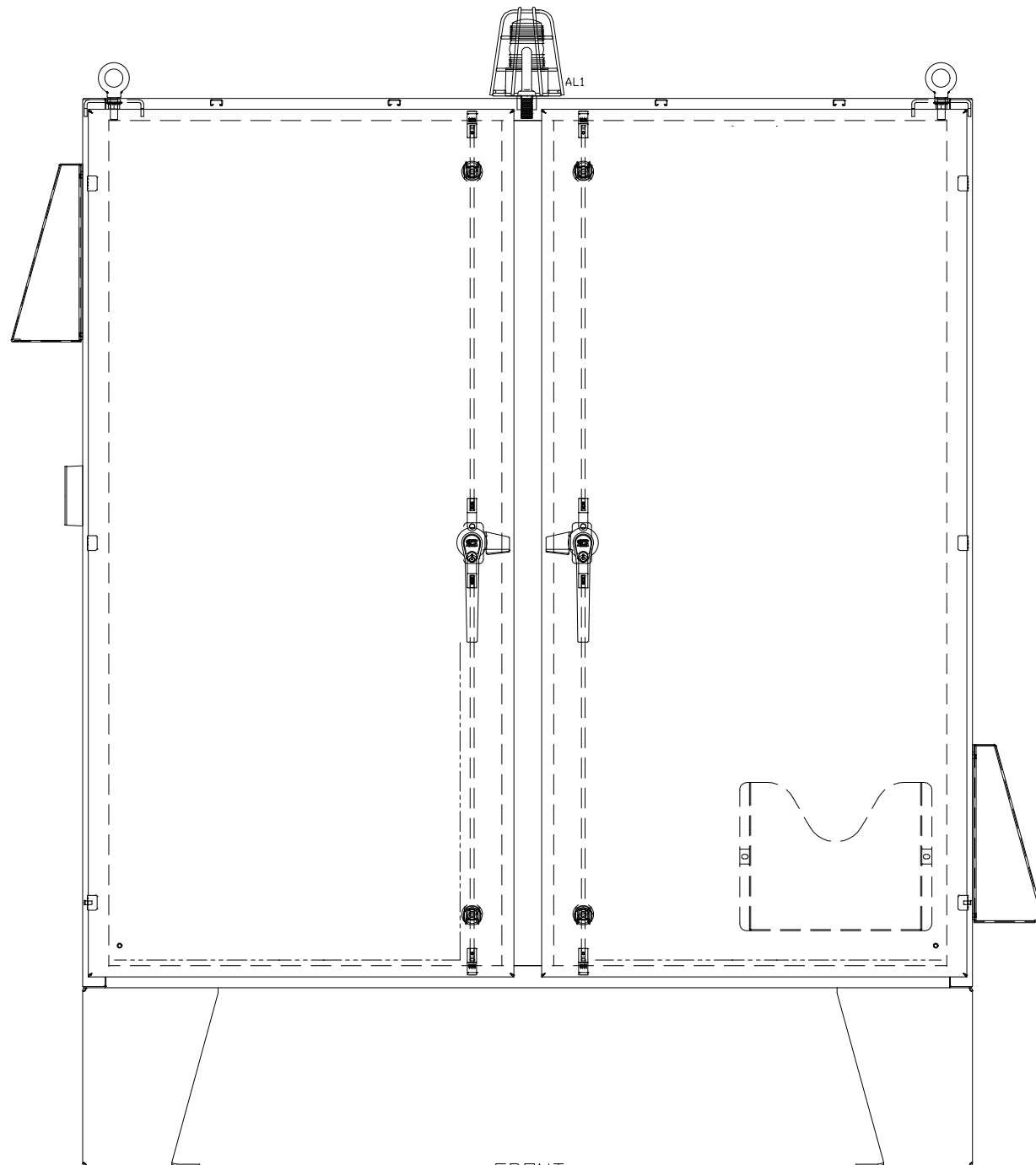
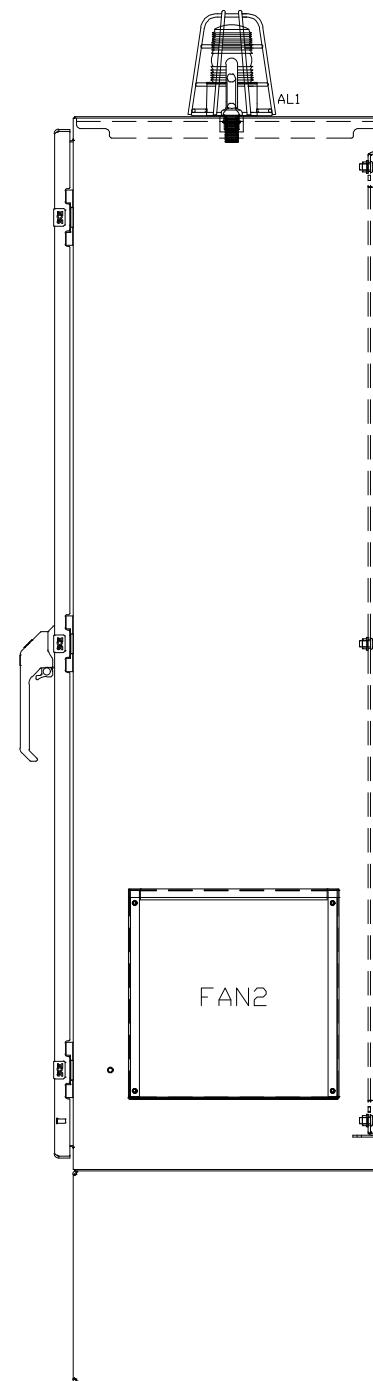


LEFT SIDE VIEW



FRONT VIEW



RIGHT SIDE VIEW

HAMPTON PARKS  
FLOURNOY, CA

ENCLOSURE DRAWING

ELECTRICAL SHEET  
1 OF 2

©2018 ROMTEC UTILITIES INC. ALL RIGHTS RESERVED. THESE PLANS AND DRAWINGS MAY NOT BE REPRODUCED, ADAPTED, OR FURTHER DISTRIBUTED, AND NO COMPONENTS MAY BE CONSTRUCTED FROM THESE PLANS, WITHOUT WRITTEN PERMISSION OF ROMTEC UTILITIES, INC.

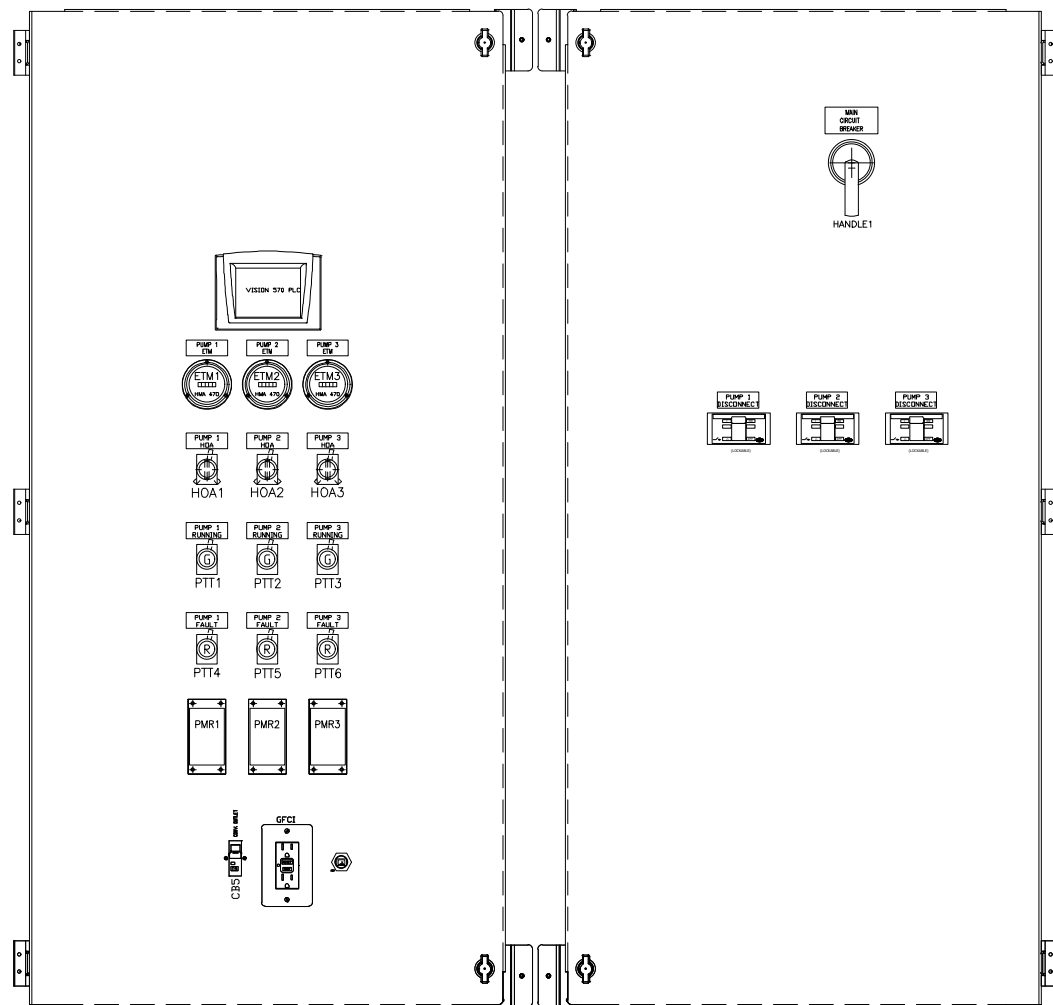
**ROMTEC UTILITIES**  
18240 NORTH BANK ROAD  
ROSEBURG, OREGON 97470  
PHONE: (541) 496-9678  
WWW.ROMTECUTILITIES.COM

PROJECT #: EO418D01  
DSN: DSN  
DRN: DRN  
CKD: CKD

DATE: 10/26/20

REV	DATE	DESCRIPTION	BY
0			

REVISION HISTORY



FRONT VIEW  
SWING PANELS

THE ENCLOSURE SHOWN REPRESENTS THE INTENT OF THE DESIGN. OFTEN THE ENCLOSURE SIZE AND LAYOUT MUST CHANGE TO ACCOMMODATE THE REQUIRED COMPONENTS AND FINAL DESIGN. PLEASE CONTACT ROMTEC UTILITIES TO OBTAIN ACTUAL AS-BUILT DRAWINGS BEFORE INSTALLATION.

HAMPTON PARKS  
FLOURNOY, CA

INNER DOOR LAYOUT DRAWING

ELECTRICAL SHEET  
2 OF 2

©2018 ROMTEC UTILITIES INC. ALL RIGHTS RESERVED. THESE PLANS AND DRAWINGS MAY NOT BE REPRODUCED, COPIED, OR FURTHER DISTRIBUTED, AND NO COMPONENTS MAY BE CONSTRUCTED FROM THESE PLANS, WITHOUT WRITTEN PERMISSION OF ROMTEC UTILITIES, INC.

**ROMTEC UTILITIES**  
18240 NORTH BANK ROAD  
ROSEBURG, OREGON 97470  
PHONE: (541) 496-9678  
WWW.ROMTECUTILITIES.COM

PROJECT #: E0418D01  
DSN: DSN  
DRN: DRN  
CKD: CKD

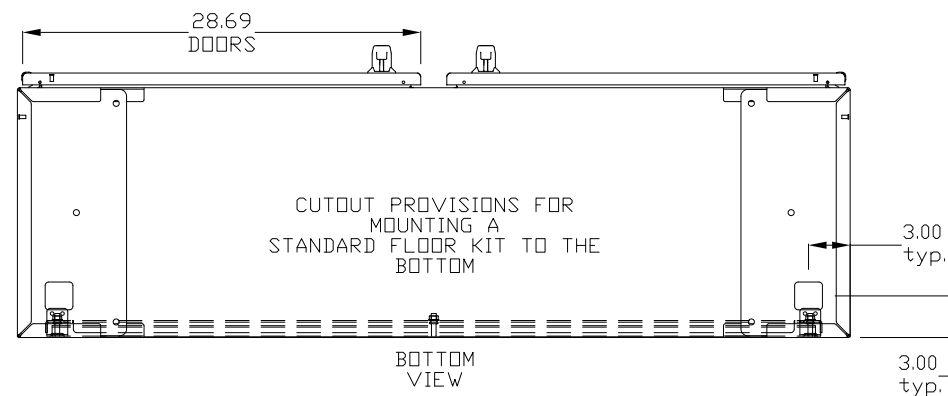
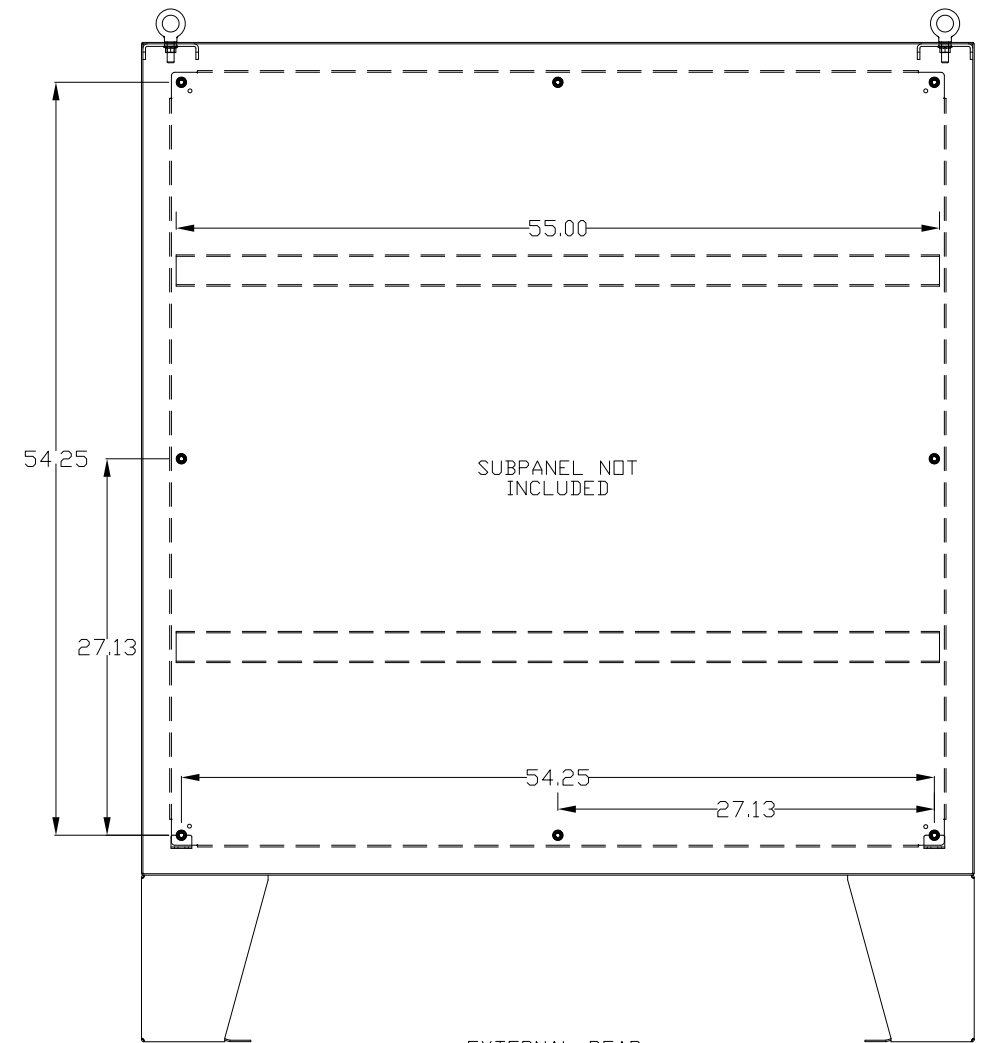
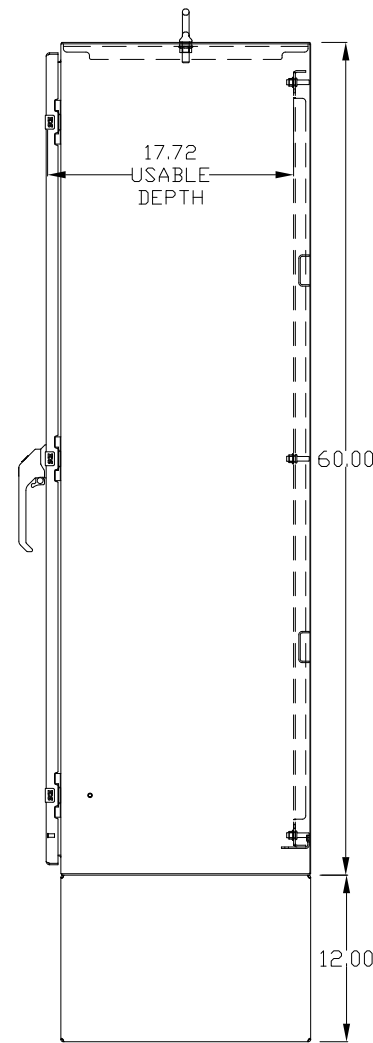
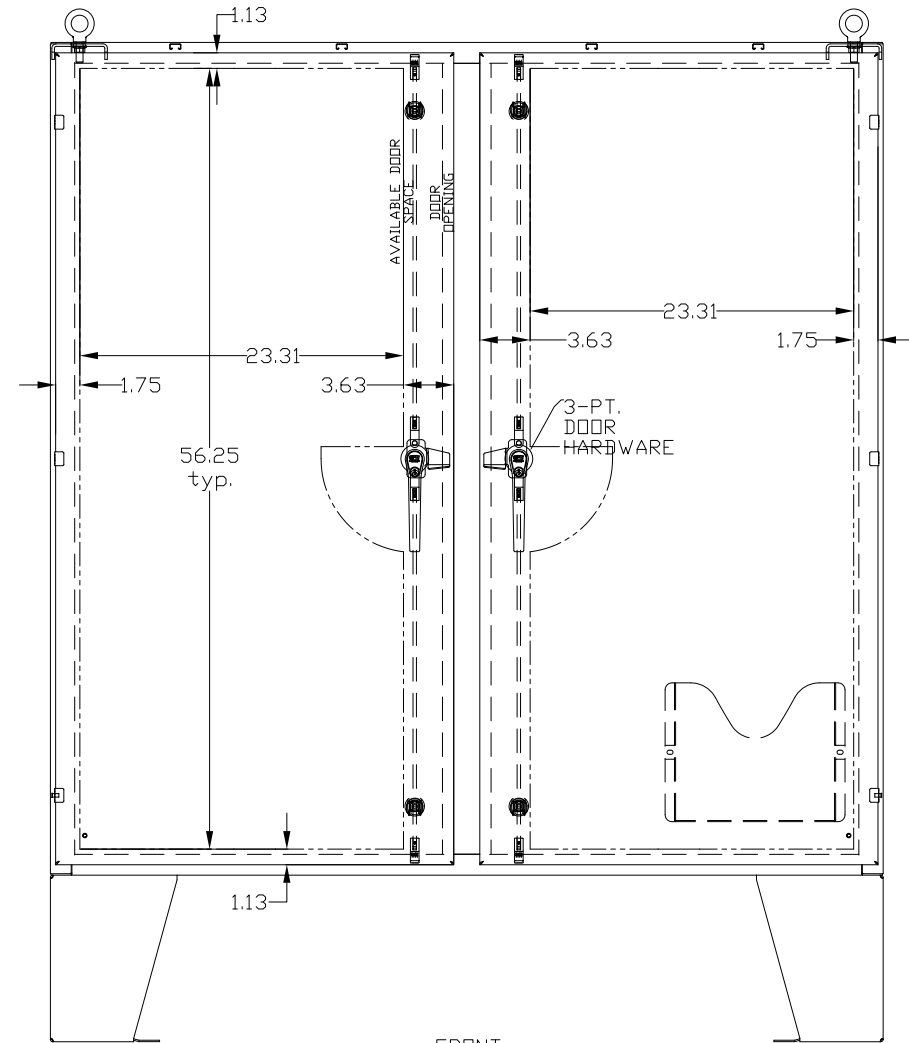
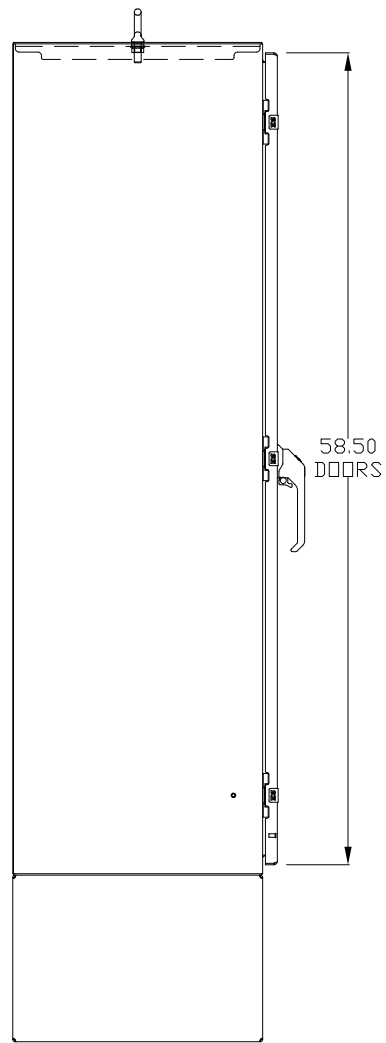
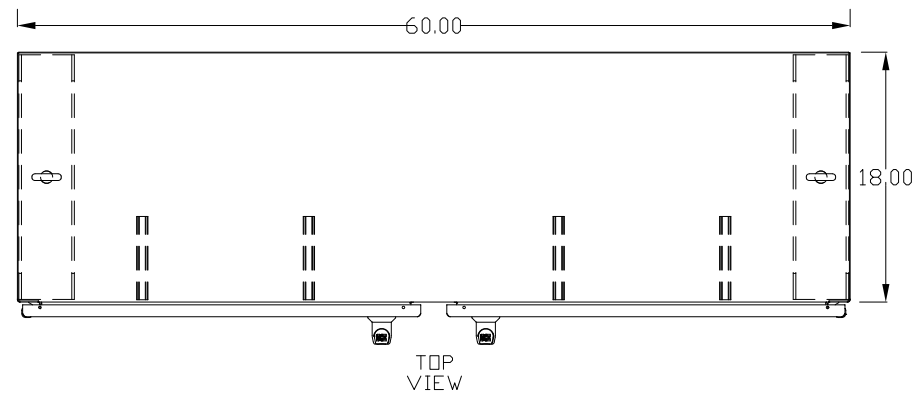
DATE: 10/26/20

REV	DATE	DESCRIPTION	BY
0			

REVISION HISTORY

# SAGINAW CONTROL & ENGINEERING

## SCE-60EL6018LPPL



WASH SYSTEM 2" SQUARE DRAIN HOLES IN THE BOTTOM WITH UL APPROVED HOLE SEALS PROVIDED

DATA SUBJECT TO CHANGE WITHOUT NOTICE