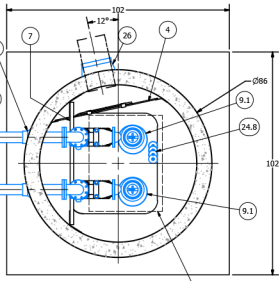


FORCE MAIN (BY OTHERS)  
 SIZE: 6"  
 TYPE: PVC C900 DR18

SECTION B-B  
 SCALE 1/22



HATCH CLEAR OPENING  
 33.5" X 44"

SENSOR AND ELEVATION TABLE		
LEVEL ELEVATION	DISTANCE BETWEEN POINTS	SET POINT DESCRIPTION
13.00	N/A	INVERT IN
N/A	N/A	BACK UP PUMPS START
N/A	N/A	SENSOR SPACING
N/A	N/A	BACK UP PUMPS STOP
N/A	N/A	SENSOR SPACING
N/A	N/A	BACK UP HL ALARM
12.64	0.50	HIGH LEVEL ALARM
12.14	1.00	SENSOR SPACING
11.14	1.00	LAG PUMP START
11.14	1.00	SENSOR SPACING
9.24	1.90	LEAD PUMP START
9.24	1.90	SENSOR SPACING
7.44	2.73	PUMP STOP
7.44		DISTANCE TO FLOOR
7.44		FLOOR ELEVATION

**COLOR LEGEND**

- MAJOR CONCRETE COMPONENTS WITH PRE-INSTALLED COMPONENTS.
- COMPONENTS PRE-ASSEMBLED TO THE EXTENT POSSIBLE AND WILL NEED TO BE FIELD INSTALLED.

NOTE: PRE-ASSEMBLY IS DONE AT ROMTEC UTILITIES DISCRETION AND MAY CHANGE AT THE TIME OF PRODUCTION.

**NOTE: TOP SLAB AND HATCH ARE H-20 OCCASIONAL TRAFFIC RATED**

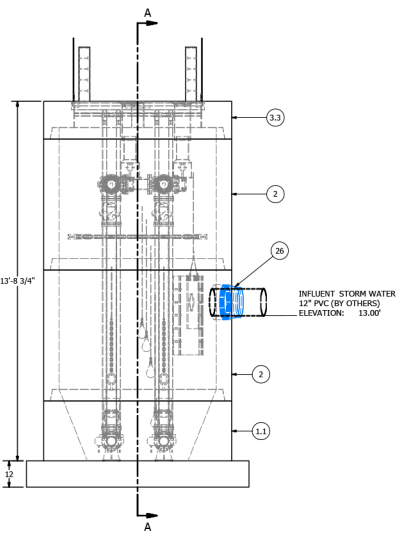
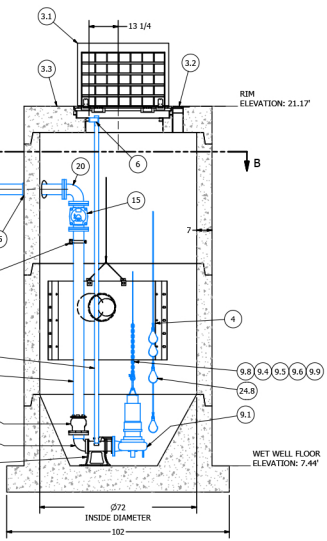
6" DIAMETER WET WELL  
 4" DISCHARGE PIPING  
 EBARA 100DLMFU63.74  
 4" MANIFOLD

**FOR PRODUCTION**

C.L. DISCHARGE PIPE  
 ELEVATION: 18.00'

FORCE MAIN (BY OTHERS)  
 SIZE: 6"  
 TYPE: PVC C900 DR18

SECTION A-A  
 SCALE 1/22



© 2018 ROMTEC INC. ALL RIGHTS RESERVED. THESE PLANS AND DRAWINGS MAY NOT BE REPRODUCED, ADAPTED, OR FURTHER DISTRIBUTED, AND NO COMPONENTS MAY BE CONSTRUCTED FROM THESE PLANS, WITHOUT WRITTEN PERMISSION OF ROMTEC, INC.