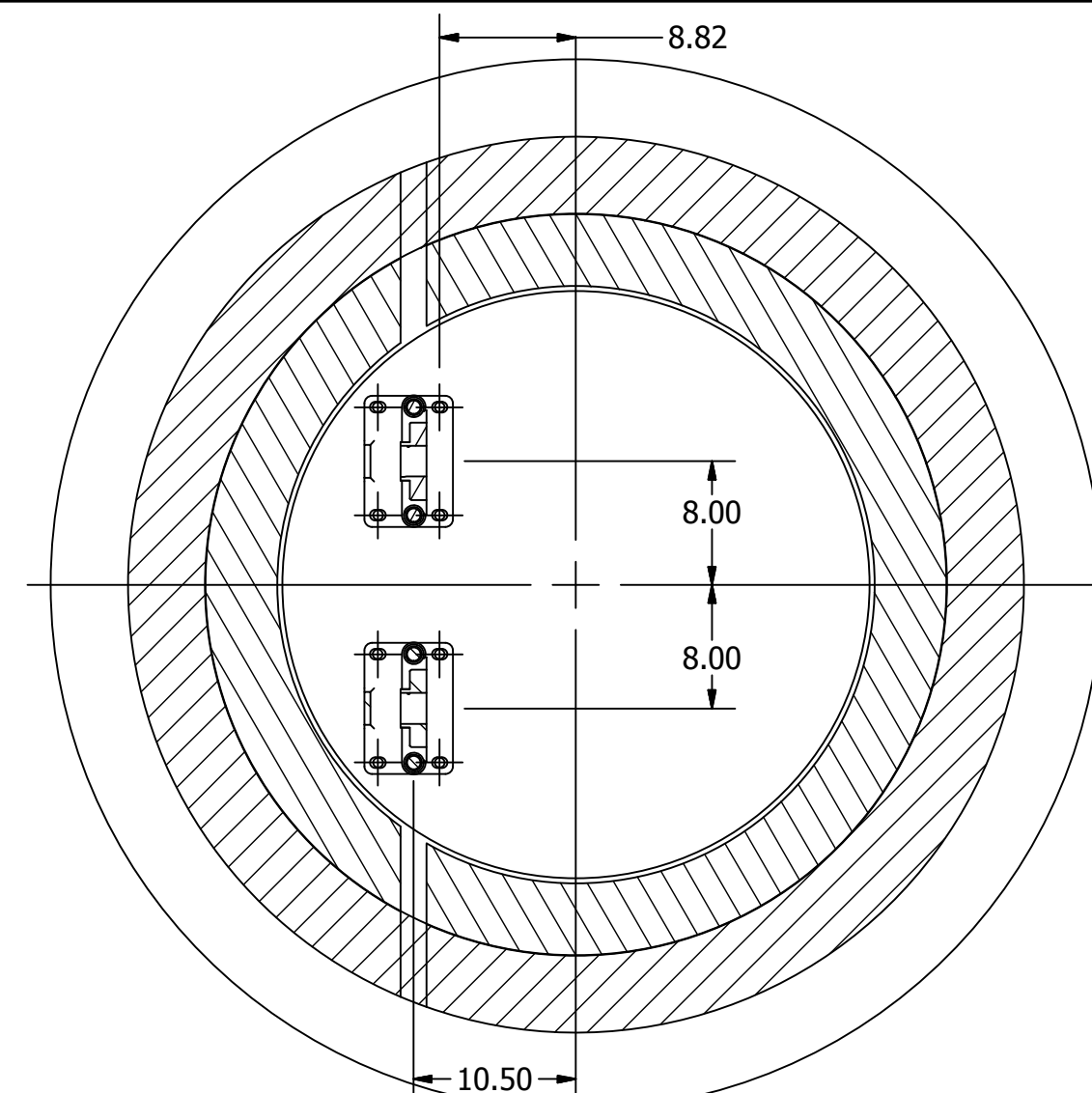


SECTION B-B  
SCALE 1 / 20



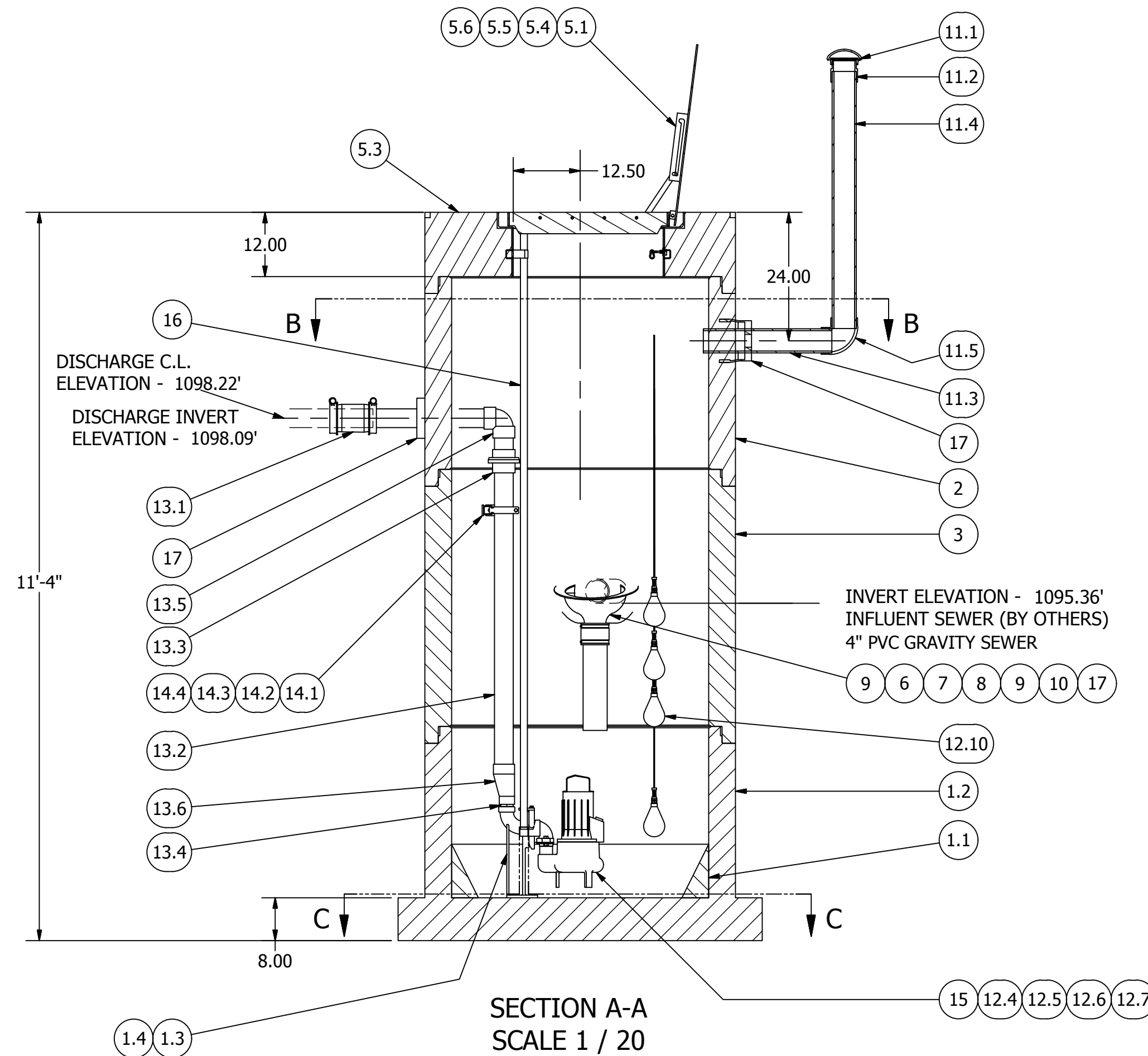
ANCHOR BOLT LAYOUT  
SECTION C-C  
SCALE 1 / 12

**NOTE: WET WELL TOP SLAB IS H-20 OCCASIONAL TRAFFIC RATED**

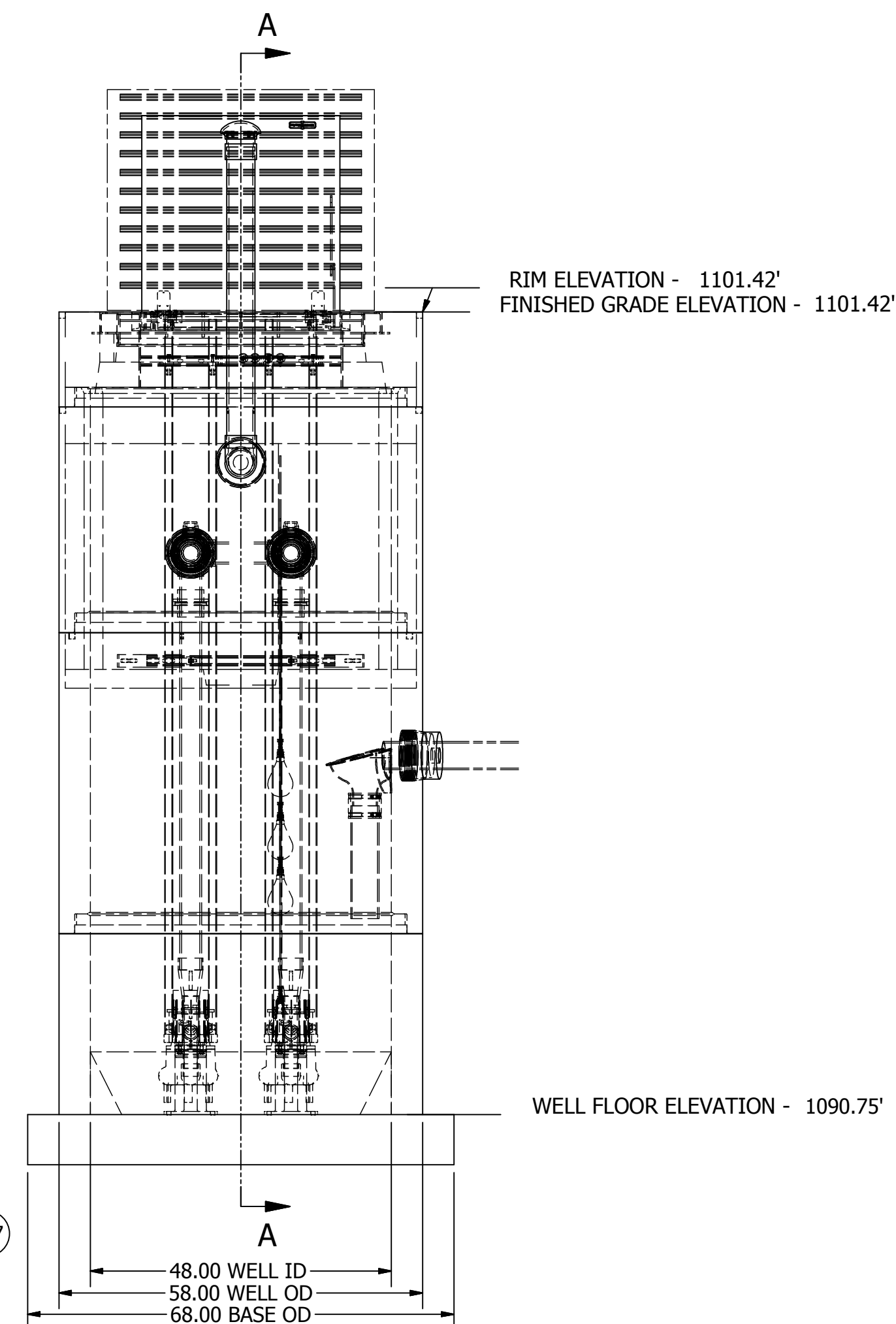
SENSOR AND ELEVATION TABLE		
LEVEL ELEVATION	DISTANCE BETWEEN POINTS	SET POINT DESCRIPTION
1095.36'		INVERT IN
		BACK UP PUMPS START
		SENSOR SPACING
		BACK UP PUMPS STOP
		SENSOR SPACING
		BACK UP HL ALARM
1094.92'	0.50'	HIGH LEVEL ALARM
		SENSOR SPACING
1094.42'	0.50'	LAG PUMP START
		SENSOR SPACING
1093.92'	1.00'	LEAD PUMP START
		SENSOR SPACING
1092.92'		PUMP STOP
	2.17'	DISTANCE TO FLOOR
1090.75'		FLOOR ELEVATION

NOTE:  
CONDUIT TO CONTROL PANEL (BY OTHERS)  
MINIMUM:  
(2) FOR POWER  
(1) FOR LEVEL SENSING

© 2015 ROMTEC INC. ALL RIGHTS RESERVED. THESE PLANS AND DRAWINGS MAY NOT BE REPRODUCED, ADAPTED, OR FURTHER DISTRIBUTED, AND NO COMPONENTS MAY BE CONSTRUCTED FROM THESE PLANS, WITHOUT WRITTEN PERMISSION OF ROMTEC, INC.



SECTION A-A  
SCALE 1 / 20



RIM ELEVATION - 1101.42'  
FINISHED GRADE ELEVATION - 1101.42'

WELL FLOOR ELEVATION - 1090.75'

**4' DIAMETER WET WELL  
3" DISCHARGE PIPING  
(2) GOULDS 2GV 1.8HP PUMPS  
3" 577 VALVE VAULT**

**577 VALVE VAULT ASSEMBLY  
SEE SHEET 2**

ALL MATERIALS SHOWN ON THIS SHEET WILL BE SUPPLIED BY ROMTEC UTILITIES AND DELIVERED TO THE SITE AFTER THE HOLE HAS BEEN EXCAVATED AND SHORED. THE CONTRACTOR SHALL SUPPLY A CRANE OF SUFFICIENT SIZE TO LOWER ALL THE CONCRETE PIECES INTO THE HOLE SAFELY. THE CONTRACTOR SHALL INSTALL THE WET WELL (AND VALVE VAULT AND METERING VAULT IF APPLICABLE). ROMTEC UTILITIES WILL PROVIDE A REPRESENTATIVE FOR TECHNICAL ASSISTANCE ON THE DAY OF INSTALLATION TO ANSWER ANY QUESTIONS THAT MAY ARISE. THE CONTRACTOR IS RESPONSIBLE FOR ALL PLUMBING AND ELECTRICAL CONNECTIONS AND INSTALLATION. ITEMS NOTED AS "BY OTHERS" WILL BE PROVIDED AND INSTALLED BY THE CONTRACTOR. ROMTEC UTILITIES WILL NOT INSTALL ANY OF THE COMPONENTS SHOWN ON THIS PAGE.

NOTE: ALL DIMENSIONS AND ELEVATIONS SHOWN ARE NOMINAL DIMENSIONS. IT IS THE RESPONSIBILITY OF THE ON-SITE CONTRACTOR OR ROMTEC UTILITIES CUSTOMER (NOT ROMTEC UTILITIES) TO VERIFY THE ACCURACY OF ANY CRITICAL DIMENSIONS OR ELEVATIONS PRIOR TO SETTING OR INSTALLING ANY EQUIPMENT.

Parts List			
ITEM	QTY	STOCK NUMBER	DESCRIPTION
1	1	10-XXXX	BASE SLAB ASSEMBLY
1.1	1	10-5362	GROUT RING - 4ft - 6in X 10in
1.2	1	10-6208	BASE - WW - 4ft - FLAT BASE - 68in DIA
1.3	2	31-5122	DISCHARGE ELBOW - 2in - BERS-0200
1.4	2	31-6040	ANCHOR KIT - DISCHARGE ELBOW
2	1	12-6462	BARREL - 4ft DIA X 3ft H
3	1	12-6463	BARREL - 4ft DIA X 4ft H
5	1	14-XXXX	TOP SLAB ASSEMBLY
5.1	1	13-5306	HATCH - WW - 4ft H20 - 52425 - 25 X 32
5.2	1	13-ROM	HATCH KEY
5.3	1	14-6471	TOP SLAB - WW - 4ft H20
5.4	2	18-4982	BRACKET - UPPER GUIDE BAR - 1.00 - CONERY
5.5	2	18-6031	BOLT & NUT KIT - UPPER GUIDE BAR BRACKET - 3-8in
5.6	4	18-6115	CABLE HANGER ASSEMBLY
6	2	15-5132	ANCHOR - DROP BOWL
7	1	15-5133	DROP BOWL PIPE - SDR35 - 4in X 18in
8	1	15-5134	COUPLING - FERNCO - 4in
9	1	15-5399	DROP BOWL - 4in thru 6in INLET - 4in OUTLET - A4DB
10	1	15-5407	BRACKET - PIPE - 4SS35 - 4in SDR35
11	1	18-5157	4 in PVC VENT
11.1	1	18-5427	VENT - MUSHROOM CAP
11.2	1	48-5455	ADAPTOR - 4in SCH80 - MALE THD X SLIP
11.3	1	48-5464	4in PVC - SCH 80 X 24in
11.4	1	48-6264	4in PVC - SCH 80 X 48in
11.5	1	48-6266	ELBOW - PVC - 4in SCH 80 - 90 DEGREE - SLIP X SLIP
12	1	18-XXXX	SHIPPING CRATE
12.1	3	12-ROM	BARREL GASKET
12.2	2	18-6248	LIFTING EYE - PRESS SEAL
12.3	1	32-4673	PUMP LIFTING EYE
12.4	2	32-5943	BOW SHACKLE - 1-2in - SS W-SCREW PIN
12.5	4	32-5999	CHAIN - S5 5-16in 316SS (2 @ 2ft)
12.6	2	32-6063	CORD GRIP - .750in - .990 DIA SS
12.7	2	32-6354	LIFTING SLING - .125in SS CABLE X 13ft WITH CHAIN
12.8	63 ft	51-5510	SEALANT - .75in X .75in X 21ft CS-202
12.9	48 ft	51-5949	TAPECOAT - 6in X .65mils X LFT
12.10	4	60-4574	FLOAT - NOLTA - MS1 - 20m
13	1	19-XXXX	DISCHARGE PIPING
13.1	2	42-6263	COUPLING - HYMAX 2000 - 3in
13.2	15	48-5463	PIPE - PVC - 3in SCH80 ( 2 @ 24in, 2 @ 60in, 2 @ 6in)
13.3	2	48-5909	UNION - 3in SCH80 - SLIP X SLIP
13.4	2	48-XXXX	ADAPTER - PVC SCH80 - 2in MNPT X 2in SPIG
13.5	2	48-5465	ELBOW - PVC - 3in SCH80 - 90 DEG - SLIP X SLIP
13.6	2	48-XXXX	REDUCER - PVC SCH80 - 3in X 2in SLIP
14	1	19-XXXX	DISCHARGE PIPE SUPPORT
14.1	2	18-5138	DISCHARGE CLAMP - TOLSTRUT - 3in - 316SS.ipt
14.2	1	18-FAST	DISCHARGE PIPE SUPPORT - BOLT KIT
14.3	2	18-6009	DISCHARGE PIPE SUPPORT - WALL BRACKET
14.4	1	50-XXXX	UNISTRUT X 30in
15	2	30-5500	PUMP - GOULDS - 2GV - 1.8HP
16	38	40-4127	PIPE - 304SS - 1in SCH40 (4 @ 9.5ft)
17	4	43-5186	KOR-N-SEAL - 8in CORE -1.70 THRU 4.80 PIPE

VERIFY SCALE  
BAR IS ONE INCH ON  
ORIGINAL DRAWING

0  
IF NOT ONE INCH ON  
THIS SHEET, ADJUST  
SCALE ACCORDINGLY

DSN - KEVIN BOGAN  
DRN - KEVIN BOGAN  
CKD -  
DATE - 5/12/2015

REV	DESCRIPTION	DATE	APPROV
1	PRELIMINARY DESIGN	10/9/14	APPROV
2	REMOVE ABOVE GND VALVING AND FLOWMETER	7/28/15	KB
3	ADD VALVE VAULT, UPDATE ELEVATIONS	5/18/15	KB
4	UPDATE FOR PRODUCTION LAUNCH	9/18/15	AD
5	REMOVED INTERIOR LINING	10-20-15	KB

**COMPONENT  
DRAWING**

**ROMTEC  
UTILITIES**  
18240 NORTH BANK ROAD  
ROSEBURG, OREGON 97470  
(541) 496-9678  
FAX (541) 496-0804

SBL ENGINEERING  
JENNIFER SMITH

**LIBERTY WILDLIFE  
WET WELL ASSEMBLY**

SHEET  
**1 of 2**

JOB NUMBER  
**RMTC  
0000**