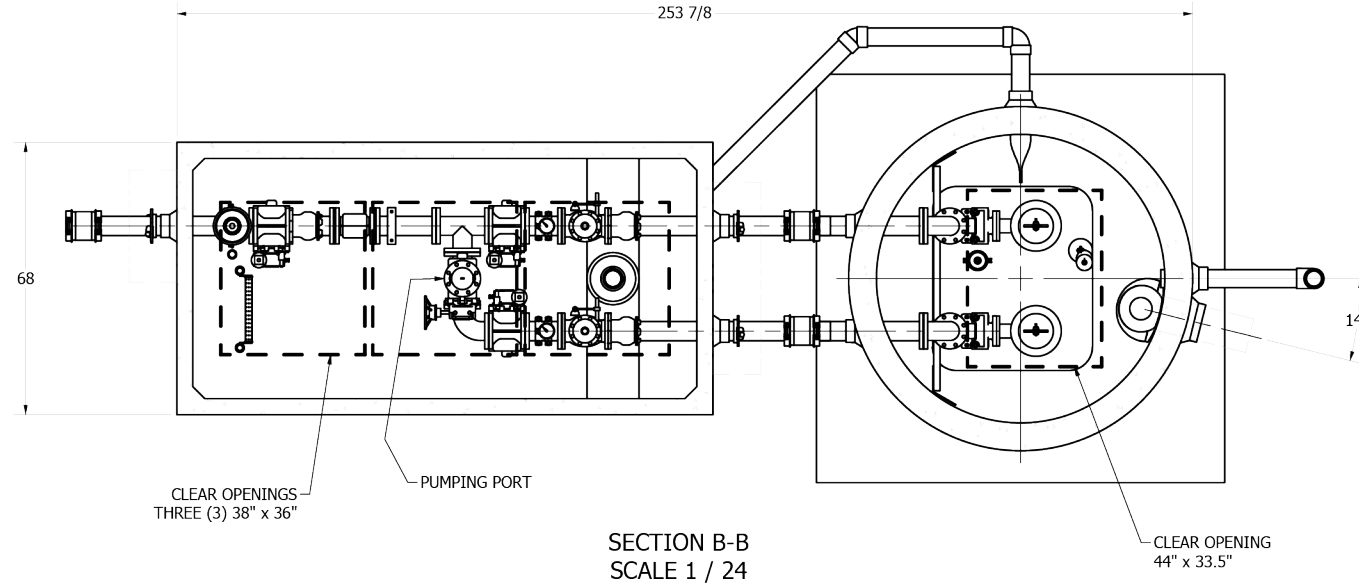
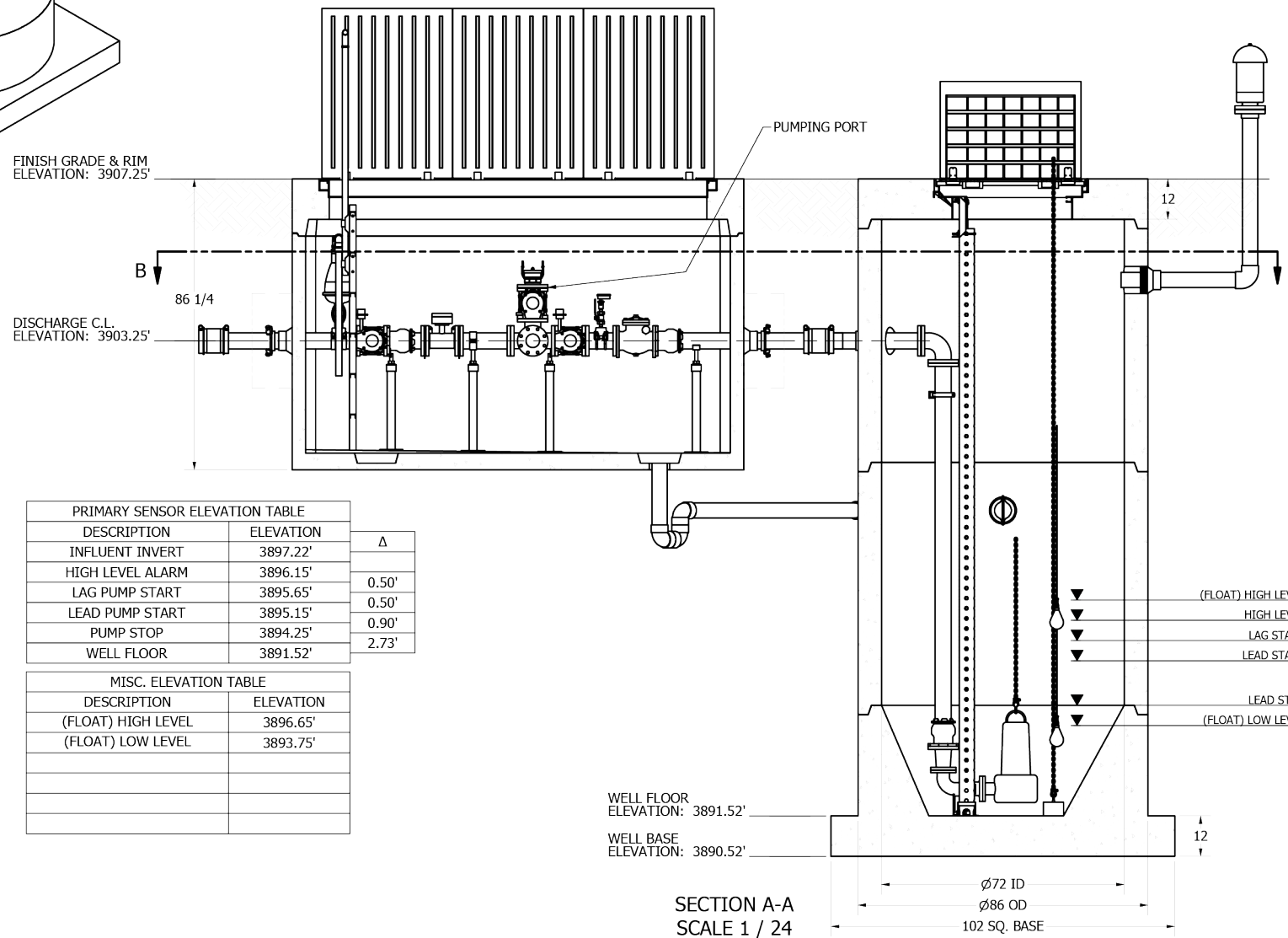


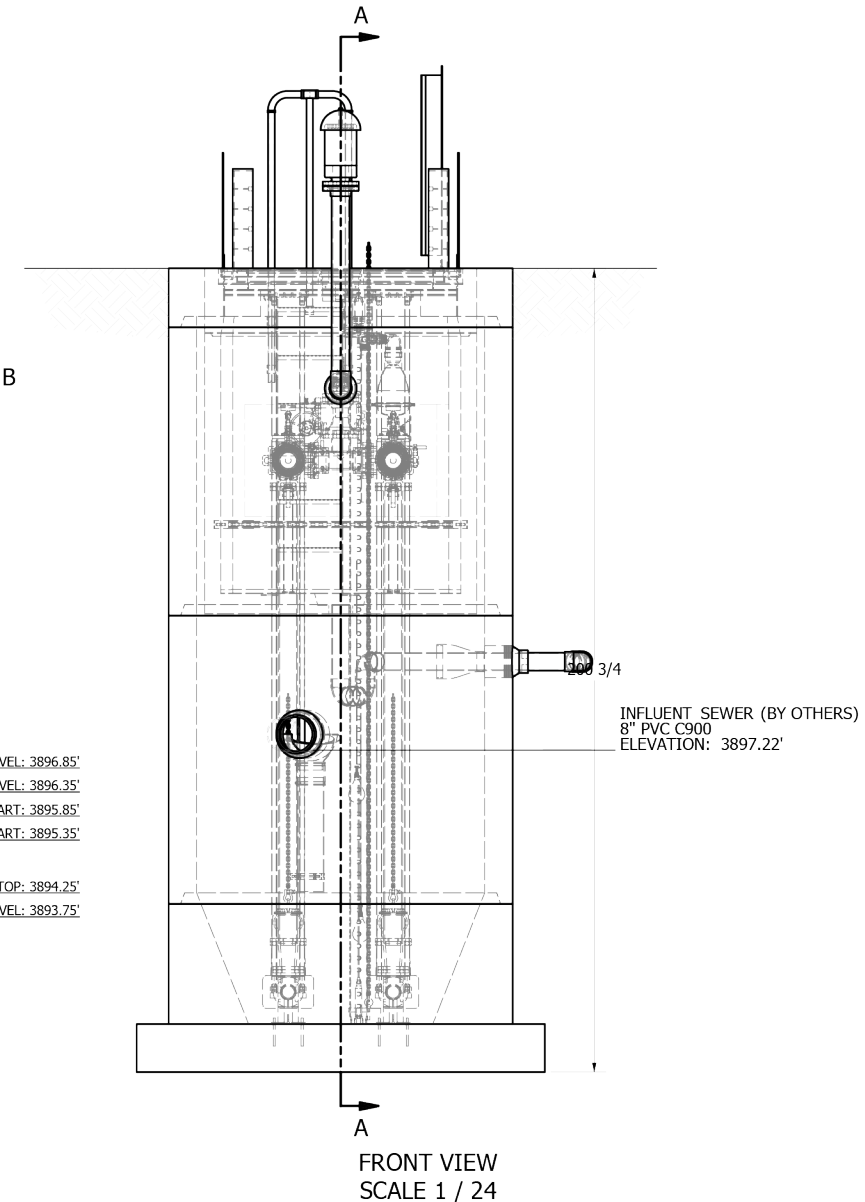
ISO VIEW
SCALE 1 / 36



SECTION B-B
SCALE 1 / 24



SECTION A-A
SCALE 1 / 24



FRONT VIEW
SCALE 1 / 24

PUMP PACKAGE
 CONFIGURATION: DUPLEX
 MODEL: ABS SULZER XFP-80C-VX
 HP: 4.7
 DUTY POINT: 113 GPM AT 35.2 TDH

FEATURES
 HATCH: H-20 OCCASIONAL, ALUMINUM
 DISCHARGE PIPING: 4" DUCTILE IRON, P401 LINED
 PRIMARY LEVEL SENSING: PRESSURE TRANSDUCER
 BACKUP LEVEL SENSING: (2) FLOAT SENSORS
 STAINLESS STEEL GUIDE RAILS
 QUICK CONNECT DISCHARGE ELBOWS
 FLOW METER, PUMPING PORT, VENT W/ FILTER
 LADDER, CHECK VALVE LIMIT SWITCHES
 WET WELL INTERIOR: TNEMEC 436
 CONCRETE EXTERIOR: TNEMEC 161

NOTE: ALL DIMENSIONS AND ELEVATIONS SHOWN ARE NOMINAL DIMENSIONS. IT IS THE RESPONSIBILITY OF THE ON-SITE CONTRACTOR OR ROMTEC UTILITIES CUSTOMER (NOT ROMTEC UTILITIES) TO VERIFY THE ACCURACY OF ANY CRITICAL DIMENSIONS OR ELEVATIONS PRIOR TO SETTING OR INSTALLING ANY EQUIPMENT.

ALL MATERIALS SHOWN ON THIS SHEET WILL BE SUPPLIED BY ROMTEC UTILITIES AND DELIVERED TO THE SITE AFTER THE HOLE HAS BEEN EXCAVATED AND SHORED. THE CONTRACTOR SHALL SUPPLY A CRANE OF SUFFICIENT SIZE TO LOWER ALL THE CONCRETE PIECES INTO THE HOLE SAFELY. THE CONTRACTOR SHALL INSTALL THE WET WELL (AND VALVE VAULT AND METERING VAULT IF APPLICABLE). ROMTEC UTILITIES WILL PROVIDE A REPRESENTATIVE FOR TECHNICAL ASSISTANCE ON THE DAY OF INSTALLATION TO ANSWER ANY QUESTIONS THAT MAY ARISE. THE CONTRACTOR IS RESPONSIBLE FOR ALL PLUMBING AND ELECTRICAL CONNECTIONS AND INSTALLATION. ITEMS NOTED AS "BY OTHERS" WILL BE PROVIDED AND INSTALLED BY THE CONTRACTOR. ROMTEC UTILITIES WILL NOT INSTALL ANY OF THE COMPONENTS SHOWN ON THIS PAGE.

PRIMARY SENSOR ELEVATION TABLE		
DESCRIPTION	ELEVATION	
INFLUENT INVERT	3897.22'	Δ
HIGH LEVEL ALARM	3896.15'	
LAG PUMP START	3895.65'	0.50'
LEAD PUMP START	3895.15'	0.50'
PUMP STOP	3894.25'	0.90'
WELL FLOOR	3891.52'	2.73'

MISC. ELEVATION TABLE		
DESCRIPTION	ELEVATION	
(FLOAT) HIGH LEVEL	3896.65'	
(FLOAT) LOW LEVEL	3893.75'	

NOTE:
 CONDUIT TO CONTROL PANEL (BY OTHERS)
 MINIMUM:
 (2) FOR POWER
 (1) FOR LEVEL SENSING



© 2022 ROMTEC INC. ALL RIGHTS RESERVED. THESE PLANS AND DRAWINGS MAY NOT BE REPRODUCED, ADAPTED, OR FURTHER DISTRIBUTED, AND NO COMPONENTS MAY BE CONSTRUCTED FROM THESE PLANS, WITHOUT WRITTEN PERMISSION OF ROMTEC, INC.

REV	DATE	DESCRIPTION	BY
1	7-12-22	FLOW METER INSTALLATION	KB
2	8/11/2022	SITE LAYOUT	RD

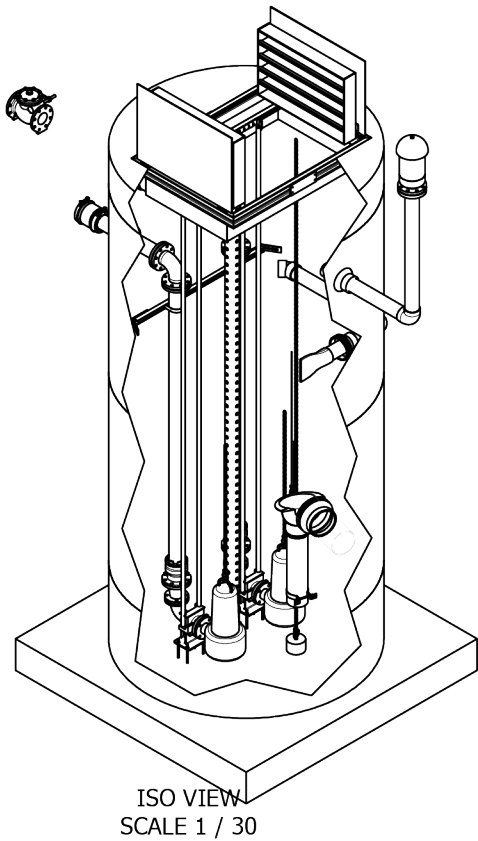
REV	DATE	DESCRIPTION	BY
1	7-12-22	FLOW METER INSTALLATION	KB
2	8/11/2022	SITE LAYOUT	RD



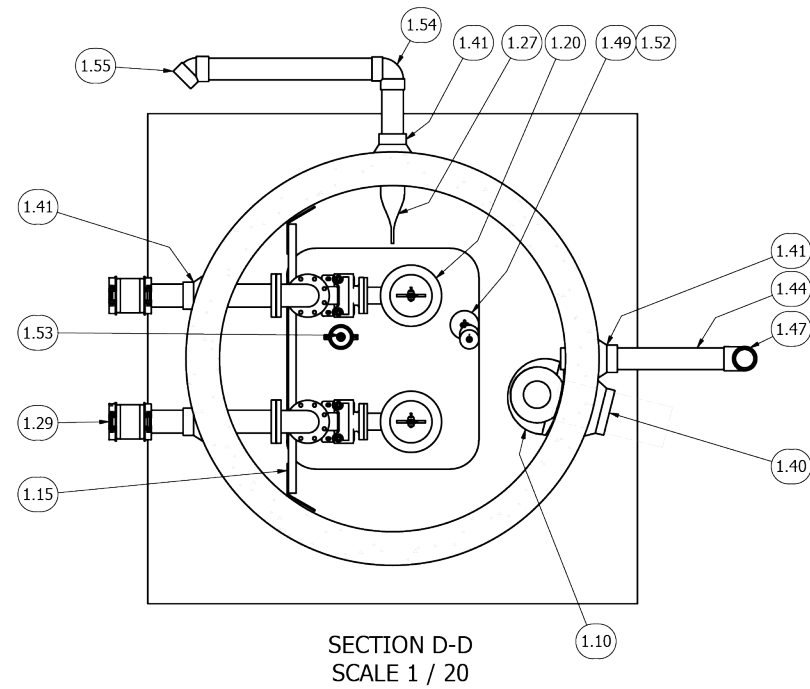
ROMTEC UTILITIES
 18240 NORTH BANK ROAD
 ROSEBURG, OREGON 97470
 PHONE: (541) 496-9678
 WWW.ROMTECUTILITIES.COM

OLSEN FARMS
 KIMBERLY, ID
 WASTEWATER PUMP STATION
 SYSTEM DRAWING

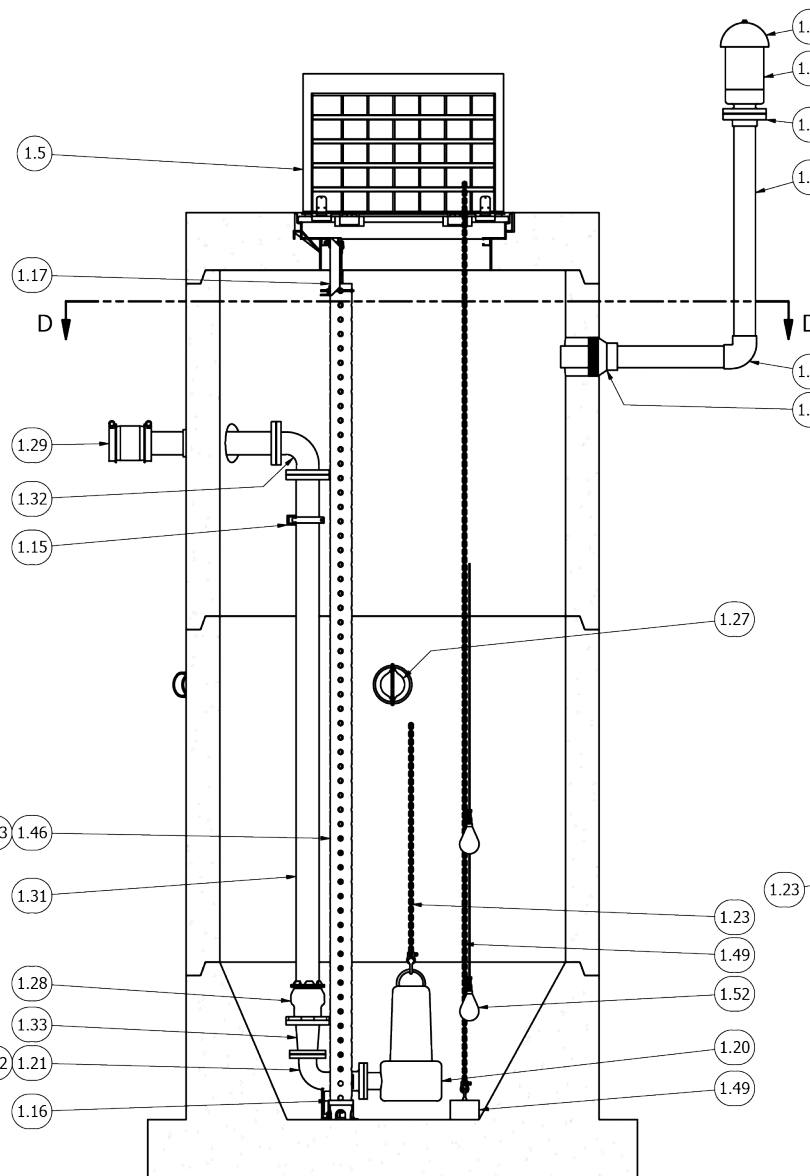
SHEET
 M-01



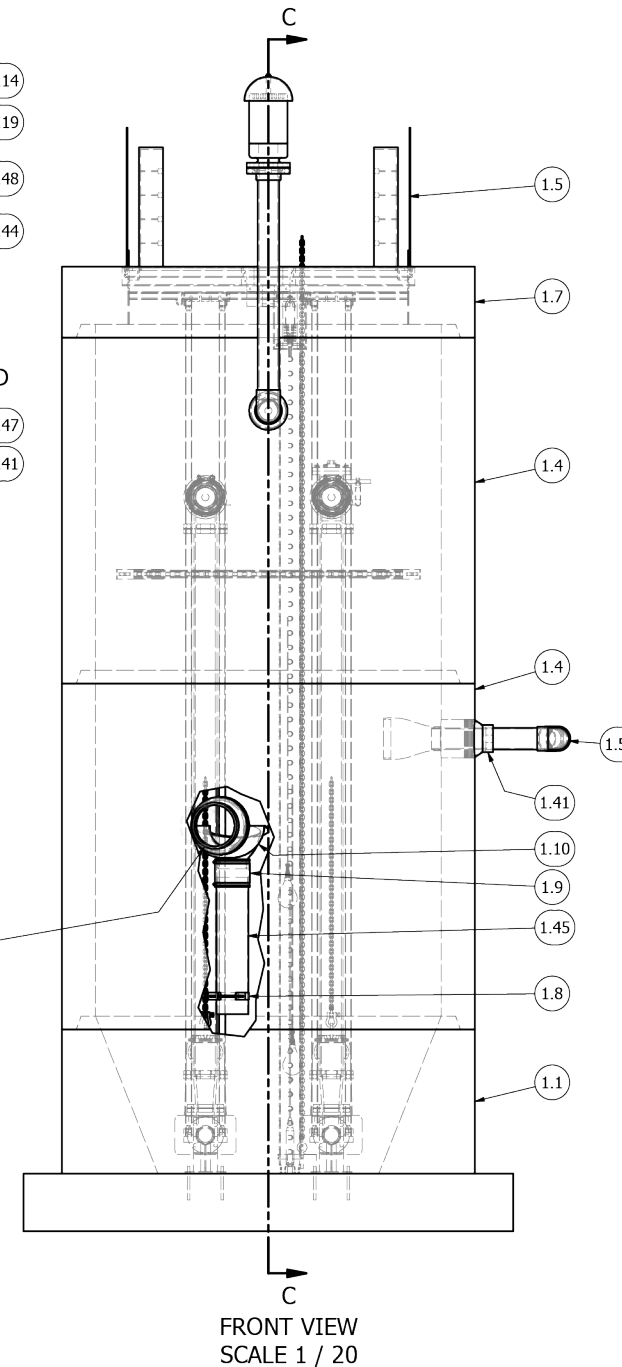
ISO VIEW
SCALE 1 / 30



SECTION D-D
SCALE 1 / 20



SECTION C-C
SCALE 1 / 20



FRONT VIEW
SCALE 1 / 20

PARTS LIST			
ITEM	QTY	STOCK NUMBER	DESCRIPTION
1.1	1	10-CB068H0W	BASE - WW - 6ft DIA - RU DESIGN - SQUARE
1.2	1	11-LC0600EX	COATING - EXTERIOR - 6ft DIA
1.3	1	11-LC0600IN	COATING - INTERIOR - 6ft DIA
1.4	2	12-CR06720W	BARREL - 6ft DIA x 6ft H
1.5	1	13-HH06HD0E	HATCH - 6ft - H20
1.6	1	13-KY000000	HATCH KEY
1.7	1	14-CT06HD0W	TOP SLAB - 6ft DIA - H20
1.8	1	15-BR06SS35	BRACKET - 316SS - 6in PIPE
1.9	1	15-CP060000	COUPLING - FERNCO - 6in
1.10	1	15-DB410668	DROP BOWL - 8in INLET x 6in OUTLET - 6ft WELL
1.11	2	17-AC38000B	BOLT KIT - UPPER GUIDE BAR BRACKET
1.12	2	17-UG01S4CN	BRACKET - 304SS - UPPER GUIDE BAR - 1in
1.13	4	18-AC00CH00	CABLE HANGER ASSEMBLY - 316SS
1.14	1	18-AC04WAGE	VENT COVER - 4in - WAGER VALVE
1.15	1	18-BR000000	BRACKET ASSEMBLY - 316SS - DISCHARGE SUPPORT
1.16	1	18-BR04SWLO	STILLING WELL - LOWER SUPPORT - 4in
1.17	1	18-BR04SWUP	STILLING WELL - UPPER SUPPORT - 4in
1.18	4	18-HD080000	LIFTING CLUTCH - 8 TON
1.19	1	18-VT04WAGE	VENT - FLANGE MOUNT - 4in - WAGER 1800
1.20	2	30-99999999	PUMP - SULZER XFP 80C VX 4.7HP
1.21	2	31-EL030HFP	DISCHARGE ELBOW - 3in HORIZ. - FLOPRO
1.22	2	31-HW00AKS6	ANCHOR KIT - 316SS - DISCHARGE ELBOW
1.23	2	32-AC0000FL	PUMP LIFTING SLING - 316SS
1.24	2	32-CGSS000D	CABLE SUPPORT GRIP - 304SS - 0.75in-0.99in
1.25	1	32-PLGE0000	GRIP EYE UNIT
1.26	58.0 ft	40-PP0100S6	PIPE - 316SS SCH40 - 1in DIA
1.27	1	42-TF040000	CHECK VALVE - TIDEFLEX - 4in
1.28	2	44-AD04RMAL	FLANGE ADAPTER - 4in - ALPHA
1.29	2	44-CP040AD0	COUPLING - 4in - ROMAC ALPHA
1.30	2	45-FP040300	SPOOL - DI - 4in DIA x 30in - FLGXPE
1.31	2	45-FP041140	SPOOL - DI - 4in DIA x 114in - FLGXPE
1.32	2	46-EL0490DI	ELBOW - DI - 4in x 90deg - FLGXFLG
1.33	2	48-RD0403DC	REDUCER - DI - 4in x 3in - CONCENTRIC
1.34	2	49-GS030000	GASKET - FLANGE - 3in
1.35	5	49-GS040000	GASKET - FLANGE - 4in
1.36	1	51-AC00NSTB	NEVER SIEZE - TUBE
1.37	69 ft	51-JWCS2120	JOINT WRAP - 12in - CONSEAL CS-212
1.38	3	51-SECS190T	SEALANT - 30oz TUBE - CONSEAL CS-1900
1.39	69 ft	51-SECS231S	SEALANT - 1in x .75in - CONSEAL CS-231
1.40	1	59-KB1208DI	KOR-N-SEAL - 12in CORE x 8in DIPS PIPE
1.41	4	59-KB080400	KOR-N-SEAL - 8in CORE - 4in thru 1.5in PIPE
1.42	1	62-CG00PT00	CORD GRIP - WEDGE CLAMP
1.43	5.2 ft	70-PP0400P4	PIPE - PVC SCH40 - 4in DIA
1.44	7.0 ft	70-PP0400P8	PIPE - PVC SCH80 - 4in DIA
1.45	2.4 ft	70-PP0600DR	PIPE - PVC SDR35 - 6in DIA
1.46	14.5 ft	70-SW0400P4	STILLING WELL - 4in PVC PIPE - PERFORATED
1.47	1	76-EL049080	ELBOW - PVC SCH80 - 4in x 90deg - SLIP
1.48	1	78-FL040080	FLANGE - PVC SCH80 - 4in
1.49	1	80-ACANCHOR	LEVEL SENSOR ANCHOR ASSEMBLY
1.50	1	80-ACBELLOW	ANEROID BELLOW
1.51	1	80-FI00PT00	DESSICANT FILTER - PRESSURE TRANSDUCER
1.52	2	80-FS20MSNL	FLOAT - 20m - MS1 - NOLTA
1.53	1	80-PT1500EH	PRESSURE TRANSDUCER - 0-15PSI
1.54	1	76-EL049040	ELBOW - PVC SCH40 - 4in x 90deg - SLIP
1.55	1	76-EL044540	ELBOW - PVC SCH40 - 4in x 45deg - SLIP

NOTE: ALL DIMENSIONS AND ELEVATIONS SHOWN ARE NOMINAL DIMENSIONS. IT IS THE RESPONSIBILITY OF THE ON-SITE CONTRACTOR OR ROMTEC UTILITIES CUSTOMER (NOT ROMTEC UTILITIES) TO VERIFY THE ACCURACY OF ANY CRITICAL DIMENSIONS OR ELEVATIONS PRIOR TO SETTING OR INSTALLING ANY EQUIPMENT.

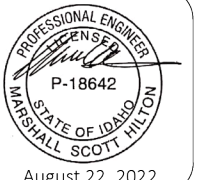
ALL MATERIALS SHOWN ON THIS SHEET WILL BE SUPPLIED BY ROMTEC UTILITIES AND DELIVERED TO THE SITE AFTER THE HOLE HAS BEEN EXCAVATED AND SHORED. THE CONTRACTOR SHALL SUPPLY A CRANE OF SUFFICIENT SIZE TO LOWER ALL THE CONCRETE PIECES INTO THE HOLE SAFELY. THE CONTRACTOR SHALL INSTALL THE WET WELL (AND VALVE VAULT AND METERING VAULT IF APPLICABLE). ROMTEC UTILITIES WILL PROVIDE A REPRESENTATIVE FOR TECHNICAL ASSISTANCE ON THE DAY OF INSTALLATION TO ANSWER ANY QUESTIONS THAT MAY ARISE. THE CONTRACTOR IS RESPONSIBLE FOR ALL PLUMBING AND ELECTRICAL CONNECTIONS AND INSTALLATION. ITEMS NOTED AS "BY OTHERS" WILL BE PROVIDED AND INSTALLED BY THE CONTRACTOR. ROMTEC UTILITIES WILL NOT INSTALL ANY OF THE COMPONENTS SHOWN ON THIS PAGE.



© 2022 ROMTEC INC. ALL RIGHTS RESERVED. THESE PLANS AND DRAWINGS MAY NOT BE REPRODUCED, ADAPTED, OR FURTHER DISTRIBUTED, AND NO COMPONENTS MAY BE CONSTRUCTED FROM THESE PLANS, WITHOUT WRITTEN PERMISSION OF ROMTEC, INC.

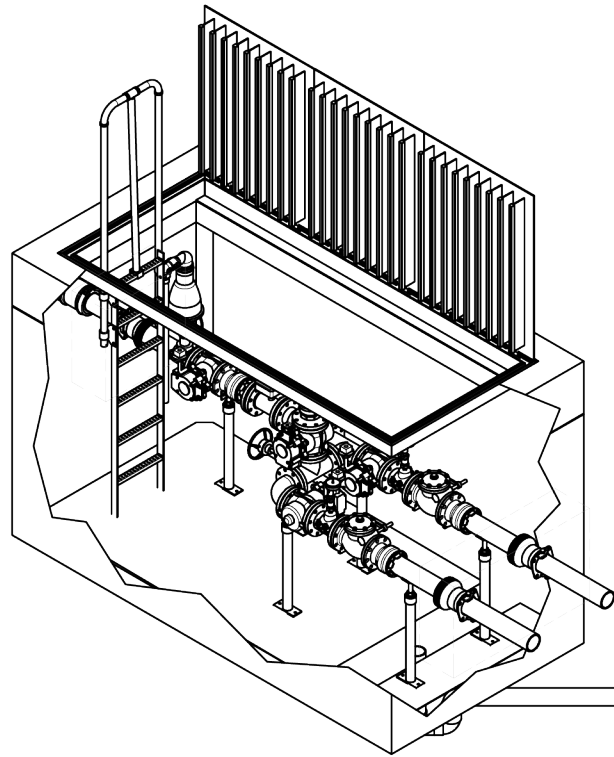
REV	DATE	DESCRIPTION
1	7-12-22	FLOW METER INSTALLATION
2	8/11/2022	ADDED ARV ASSEMBLY

DATE	BY
4-28-22	KB



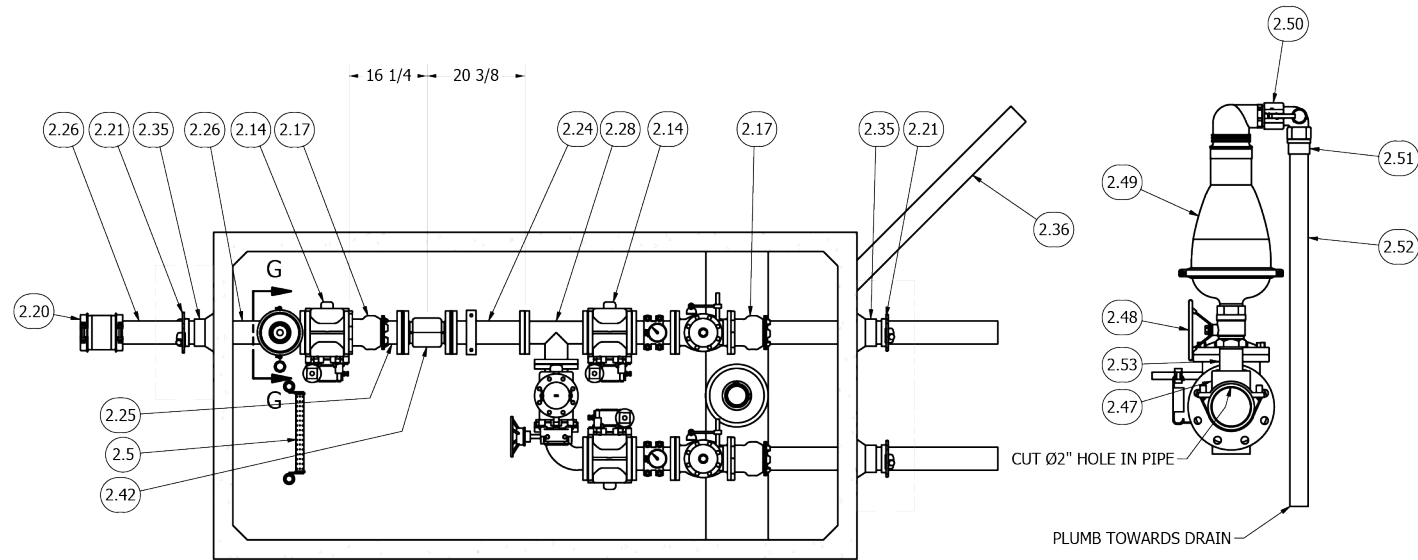
August 22, 2022
ROMTEC UTILITIES
 18240 NORTH BANK ROAD
 ROSEBURG, OREGON 97470
 PHONE: (541) 496-9678
 WWW.ROMTECUTILITIES.COM

OLSEN FARMS
 KIMBERLY, ID
 WET WELL ASSEMBLY
 COMPONENT DRAWING
 SHEET
 M-02



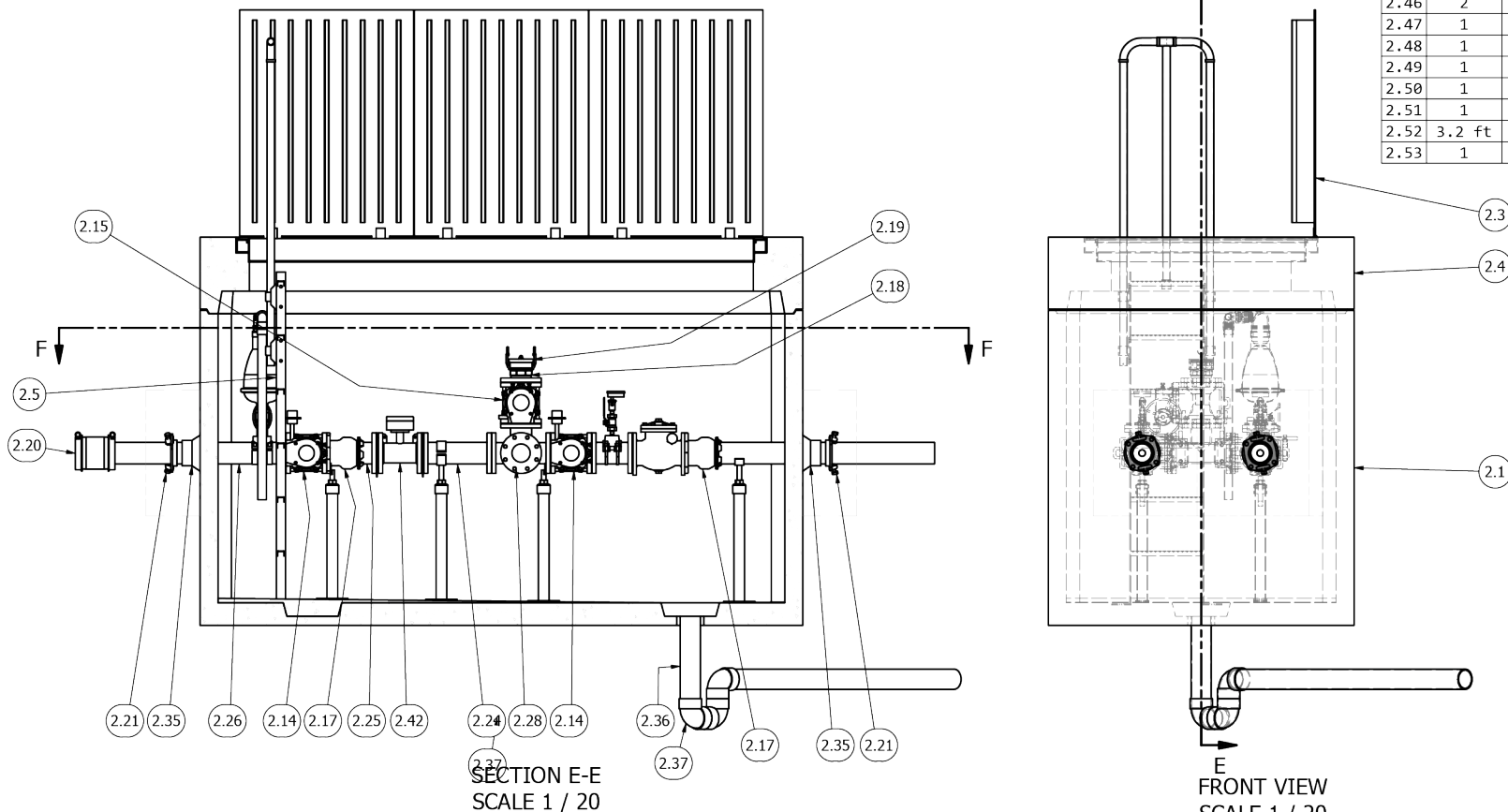
ISO VIEW
SCALE 1 / 24

NOTE: TO MAINTAIN FLOW METER ACCURACY, MINIMUM DISTANCE TO FLOW DISTURBING FITTING IS AS FOLLOWS:
UPSTREAM = 5 x 4" DIA = 20"
DOWNSTREAM = 3 x 4" DIA = 12"



SECTION F-F
SCALE 1 / 20

ARV ASSEMBLY
SECTION G-G
SCALE 1 / 10



SECTION E-E
SCALE 1 / 20

FRONT VIEW
SCALE 1 / 20

PARTS LIST				
ITEM	QTY	STOCK NUMBER	DESCRIPTION	
2.1	1	20-CB510600	BASE - VV - 5106	
2.2	1	20-GR510600	SLOPED FLOOR - 5106	
2.3	1	23-HH5106HE	HATCH - VV - 5106 - H20	
2.4	1	24-CT5106HD	TOP SLAB - VV - 5106 - H20	
2.5	1	25-LD060200	LADDER - 6ft-2in	
2.6	1	25-PS040CMP	PIPE STAND - CLAMP - 4in	
2.7	3	25-PS040FLG	PIPE STAND - 304SS - 4in FLANGE	
2.8	2	25-PS040SAD	PIPE STAND - 304SS - 4in SADDLE	
2.9	6	25-PSBASES4	PIPE STAND - 304SS - BASE PLATE	
2.10	12.5 ft	40-PP020054	PIPE - 304SS SCH40 - 2in DIA	
2.11	8.0 ft	40-PP0400D0	PIPE - DI - 4in DIA	
2.12	4	40-TT0H0256	NIPPLE - 316SS - 0.5in DIA x 2in	
2.13	2	41-BV0H0056	BALL VALVE - 316SS - 0.5in	
2.14	3	41-PV040GD0	PLUG VALVE - 4in - GEARED OP NUT	
2.15	1	41-PV040HD0	PLUG VALVE - 4in - GEARED HANDWHEEL	
2.16	2	42-LS0400D0	SWING CHECK VALVE - 4in LEVER & SPRING	
2.17	3	44-AD04RML	FLANGE ADAPTER - 4in - ALPHA	
2.18	1	44-CL04S6PM	CAM LOCK - 316SS - 4in - PLUG x MNPT	
2.19	1	44-CL04SCAP	CAM LOCK - 316SS - 4in - SOCKET CAP	
2.20	1	44-CP040AD0	COUPLING - 4in - ROMAC ALPHA	
2.21	3	44-RG040STR	RETAINER GLAND - 4in - HEAVY DUTY	
2.22	2	44-TS040H00	TAPPING SADDLE - 4in x .5in NPT	
2.23	2	45-FF040090	SPOOL - DI - 4in DIA x 9in - FLGXFLG	
2.24	1	45-FF040150	SPOOL - DI - 4in DIA x 15in - FLGXFLG	
2.25	1	45-FP040120	SPOOL - DI - 4in DIA x 12in - FLGXPE	
2.26	1	45-FP040420	SPOOL - DI - 4in DIA x 42in - FLGXPE	
2.27	1	46-EL0490D1	ELBOW - DI - 4in x 90deg - FLGXFLG	
2.28	2	46-TE0404D1	TEE - DI - 4in x 4in - FLGXFLG	
2.29	1	48-FL040FD0	FLANGE - DI - 4in - COMPANION - 4in TAP	
2.30	2	48-PL0400HX	PLUG - 304SS - .25in NPT - HEX SOCKET	
2.31	16	49-GS040000	GASKET - FLANGE - 4in	
2.32	34 ft	51-JWCS2120	JOINT WRAP - 12in - CONSEAL CS-212	
2.33	2	51-SECS190T	SEALANT - 30oz TUBE - CONSEAL CS-1900	
2.34	34 ft	51-SECS231S	SEALANT - 1in x .75in - CONSEAL CS-231	
2.35	3	59-KB080400	KOR-N-SEAL - 8in CORE - 4in thru 1.5in PIPE	
2.36	9.0 ft	70-PP0400P4	PIPE - PVC SCH40 - 4in DIA	
2.37	3	76-EL049040	ELBOW - PVC SCH40 - 4in x 90deg - SLIP	
2.38	2	81-PG3H00QB	PRESSURE GAUGE - 3.5in DIA x 30#	
2.39	1	82-AC0RMTSI	WALL MOUNT KIT - TRANSMITTER - SIEMENS	
2.40	1	82-ACCABKSI	CABLE KIT - 100ft - FLOWMETER - SIEMENS	
2.41	1	82-ACPOTKIT	POTTING KIT - SIEMENS	
2.42	1	82-FT0400SI	FLOWTUBE - 4in - REMOTE - SIEMENS	
2.43	2	82-GR040000	GROUNDING RING - 4in	
2.44	1	82-TX0RMTSI	TRANSMITTER - REMOTE MOUNT - SIEMENS	
2.45	2	83-GI0HF0QF	DIAPHRAGM SEAL - 0.5in FNPT x 0.25in FNPT	
2.46	2	84-PX999999	PROXIMITY SWITCH - GO SWITCH 70 SERIES HEX HEAD	
2.47	1	44-TS040200	TAPPING SADDLE - 4.8in x 2in NPT	
2.48	1	41-BV020VS6	BALL VALVE - 316SS - 2in - OVAL HANDLE	
2.49	1	43-AV02LARI	VALVE - AIR VACUUM RELEASE - 2in - ARI - D025L	
2.50	1	74-CL1H90SF	CAM LOCK - 90DEG - 1.5in SOCKET X 1.5in FNPT	
2.51	1	74-AD1H004M	ADAPTER - PVC SCH40 - 1.5in - SLIP x MNPT	
2.52	3.2 ft	70-PP1H00P4	PIPE - PVC SCH40 - 1.5in DIA	
2.53	1	40-TT0204S6	NIPPLE - 316SS - 2in DIA x 4in	

ALL MATERIALS SHOWN ON THIS SHEET WILL BE SUPPLIED BY ROMTEC UTILITIES AND DELIVERED TO THE SITE AFTER THE HOLE HAS BEEN EXCAVATED AND SHORED. THE CONTRACTOR SHALL SUPPLY A CRANE OF SUFFICIENT SIZE TO LOWER ALL THE CONCRETE PIECES INTO THE HOLE SAFELY. THE CONTRACTOR SHALL INSTALL THE WET WELL (AND VALVE VAULT AND METERING VAULT IF APPLICABLE). ROMTEC UTILITIES WILL PROVIDE A REPRESENTATIVE FOR TECHNICAL ASSISTANCE ON THE DAY OF INSTALLATION TO ANSWER ANY QUESTIONS THAT MAY ARISE. THE CONTRACTOR IS RESPONSIBLE FOR ALL PLUMBING AND ELECTRICAL CONNECTIONS AND INSTALLATION. ITEMS NOTED AS "BY OTHERS" WILL BE PROVIDED AND INSTALLED BY THE CONTRACTOR. ROMTEC UTILITIES WILL NOT INSTALL ANY OF THE COMPONENTS SHOWN ON THIS PAGE.

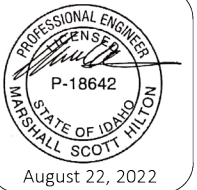


© 2022 ROMTEC INC. ALL RIGHTS RESERVED. THESE PLANS AND DRAWINGS MAY NOT BE REPRODUCED, ADAPTED, OR FURTHER DISTRIBUTED, AND NO COMPONENTS MAY BE CONSTRUCTED FROM THESE PLANS, WITHOUT WRITTEN PERMISSION OF ROMTEC, INC.

NOTE: ALL DIMENSIONS AND ELEVATIONS SHOWN ARE NOMINAL DIMENSIONS. IT IS THE RESPONSIBILITY OF THE ON-SITE CONTRACTOR OR ROMTEC UTILITIES CUSTOMER (NOT ROMTEC UTILITIES) TO VERIFY THE ACCURACY OF ANY CRITICAL DIMENSIONS OR ELEVATIONS PRIOR TO SETTING OR INSTALLING ANY EQUIPMENT.

REV	DATE	DESCRIPTION	BY
2	8/11/2022	ADDED ARV ASSEMBLY	KB
1	7/18/22	SITE LAYOUT	RD
1	7-12-22	FLOW METER INSTALLATION	KB
		REVISION HISTORY	BY

VERIFY SCALE
0 1" = 10'
DATE: 4-28-22



ROMTEC UTILITIES
182-40 NORTH BANK ROAD
ROSEBURG, OREGON 97470
PHONE: (541) 496-9678
WWW.ROMTECUTILITIES.COM

OLSEN FARMS
KIMBERLY, ID
VALVE VAULT ASSEMBLY
COMPONENT DRAWING

SHEET
M-03