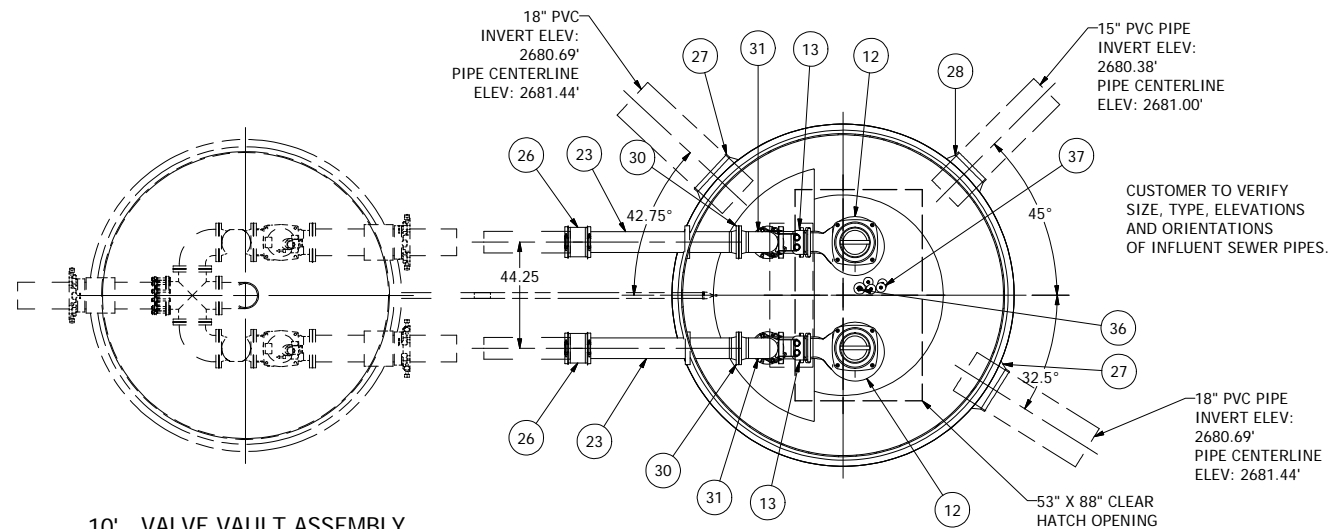
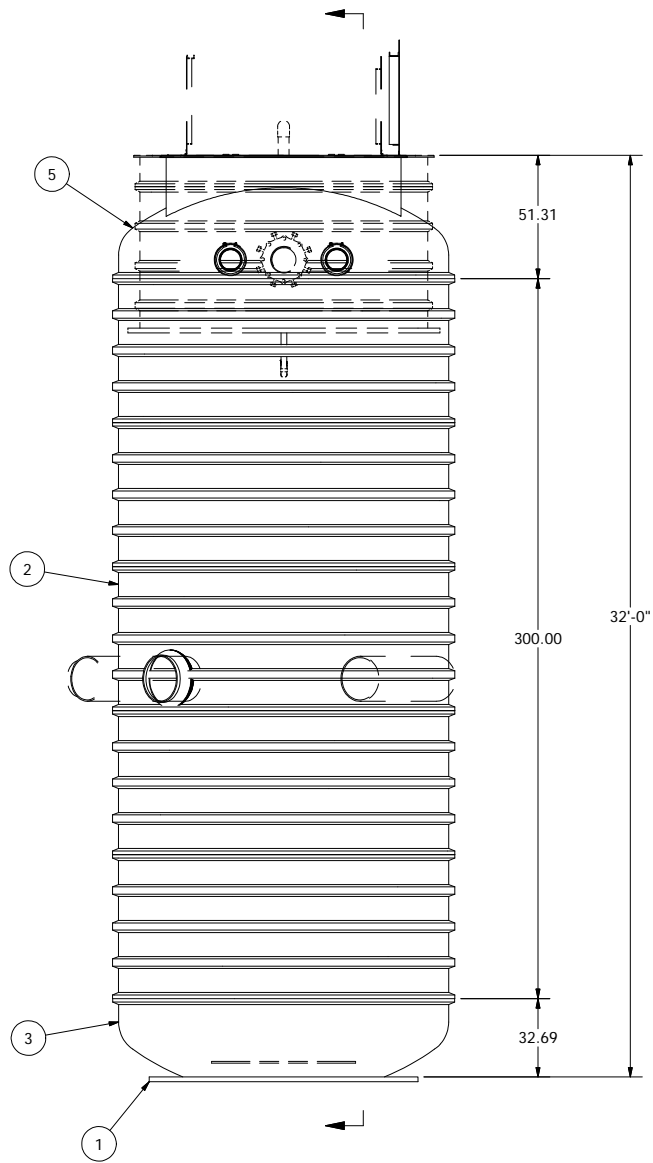


SENSOR AND ELEVATION TABLE		
LEVEL ELEVATION	DISTANCE BETWEEN POINTS	SET POINT DESCRIPTION
2680.69		SEWER INVERT IN
2680.75		HIGH LEVEL ALARM
	0.25	SENSOR SPACING
2681.00		LAG PUMP START
	0.50	SENSOR SPACING
2680.50		LEAD PUMP START
	9.00	SENSOR SPACING
2671.50		PUMP STOP
	APPROX 4.00	DISTANCE TO FLOOR
APPROX 2667.50		FLOOR ELEVATION

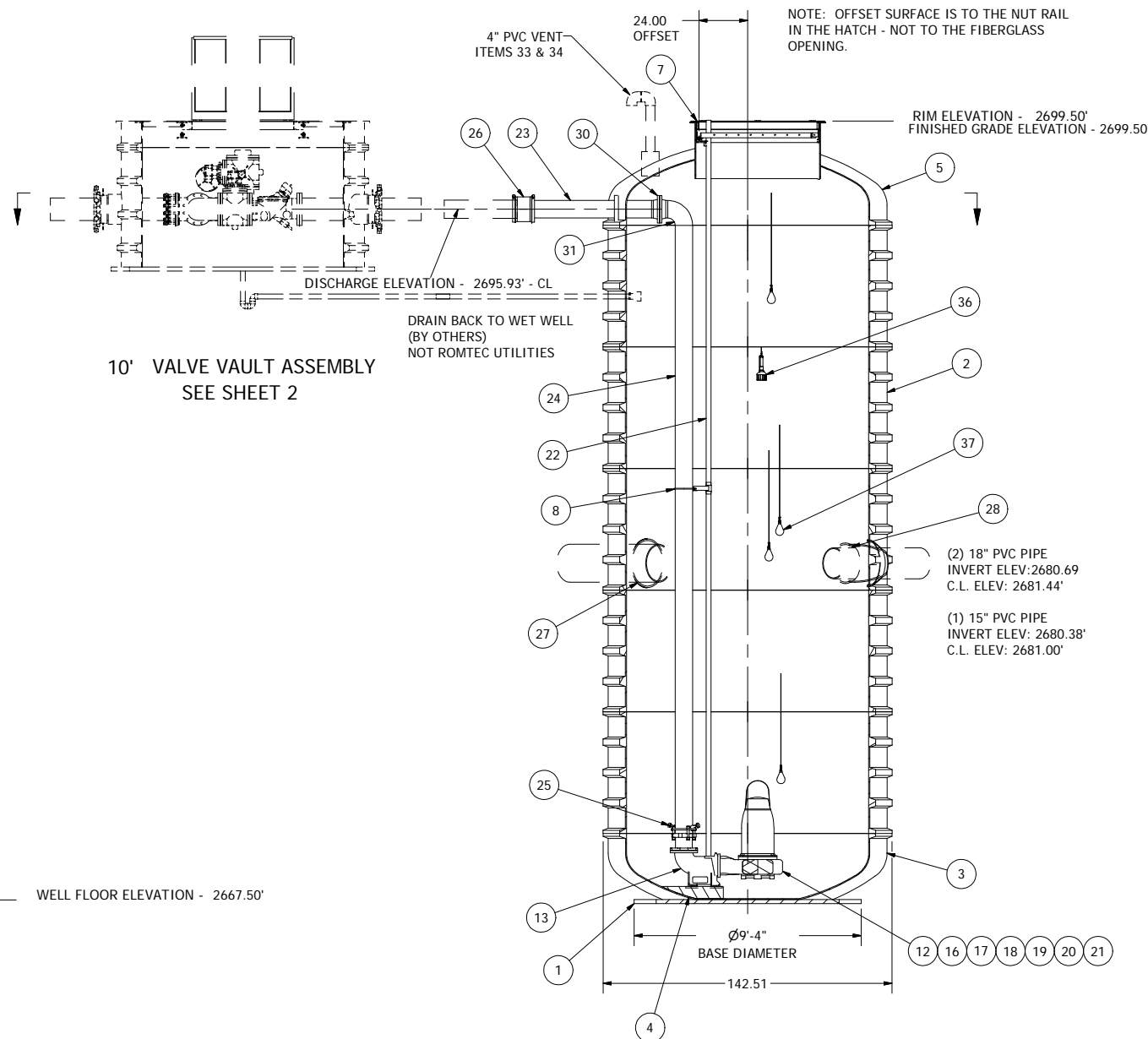


10' VALVE VAULT ASSEMBLY
SEE SHEET 2

NOTE: WET WELL TOP HATCH IS PEDESTRIAN RATED



10' VALVE VAULT ASSEMBLY
SEE SHEET 2



12' DIAMETER WET WELL
8" DISCHARGE PIPING
NP3202 FLYGT PUMPS
10" - 10" DIA VALVE VAULT

ALL MATERIALS SHOWN ON THIS SHEET WILL BE SUPPLIED BY ROMTEC UTILITIES AND DELIVERED TO THE SITE AFTER THE HOLE HAS BEEN EXCAVATED AND SHORED. THE CONTRACTOR SHALL SUPPLY A CRANE OF SUFFICIENT SIZE TO LOWER THE FIBERGLASS WET WELL INTO THE HOLE SAFELY. THE CONTRACTOR SHALL INSTALL THE WET WELL (AND VALVE VAULT AND METERING VAULT IF APPLICABLE). ROMTEC UTILITIES WILL PROVIDE A REPRESENTATIVE FOR TECHNICAL ASSISTANCE ON THE DAY OF INSTALLATION TO ANSWER ANY QUESTIONS THAT MAY ARISE. THE CONTRACTOR IS RESPONSIBLE FOR ALL PLUMBING AND ELECTRICAL CONNECTIONS AND INSTALLATION. ITEMS NOTED AS "BY OTHERS" WILL BE PROVIDED AND INSTALLED BY THE CONTRACTOR. ROMTEC UTILITIES WILL NOT INSTALL ANY OF THE COMPONENTS SHOWN ON THIS PAGE.

Parts List			
ITEM	QTY	STOCK NUMBER	DESCRIPTION
1	1	11-REF	BASE PLATE
2	1	11-REF	BARREL - 12ft FIBERGLASS
3	1	11-REF	BASE - TRUNCATED - 12ft
4	1	11-REF	6in PUMP SHELF
5	1	11-REF	DOME TOP - 12ft
6	2	13-ROM	HATCH KEY
7	1	13-XXXX	HATCH - WW - 12ft FIBERGLASS - PED - 56569 - 53 X 88
8	2	18-5195	BRACKET - INTERMEDIATE GUIDE BAR - 3in
9	2	18-5129	BRACKET - UPPER GUIDE BAR - 3in SS
10	2	18-6031	BOLT & NUT KIT - UPPER GUIDE BAR BRACKET - 3-8in
11	4	18-6115	CABLE HANGER ASSEMBLY
12	2	30-XXXX	PUMP - NP3202 MT 640 60HP
13	2	31-5353	DISCHARGE ELBOW - 8in - 374 76 06
14	2	31-6040	ANCHOR KIT - DISCHARGE ELBOW
15	100lf	32-5050	ROPE - NYLON BRAIDED 1-4in - (1000ft ROLL)
16	2	32-5942	BOW SHACKLE - 3-8in - SS W-SCREW PIN
17	2	32-5943	BOW SHACKLE - 1-2in - SS W-SCREW PIN
18	1	32-6016	GRIP EYE UNIT
19	2	32-6064	CORD GRIP - 1.250in - 1.490 DIA SS
20	2	32-6354	ROPE - LIFTING SLING ASSEMBLY
21	4	32-6600	CHAIN - S5 9-32in 316SS
22	8	40-5262	PIPE - 304SS - 3in SCH40 - 4 @ 15'
23	2	40-XXXX	PIPE - 304SS - 8in SCH10
24	2	40-XXXX	PIPE - 304SS - 8in SCH10
25	2	42-5074	COUPLING - ROMAC - RFCA - 8in FBEC
26	2	42-XXXX	COUPLING - ROMAC - RC501 - 10in X 8in
27	2	43-5180	KOR-N-SEAL - 24in CORE - 18in PIPE
28	1	43-5184	KOR-N-SEAL - 20in CORE - 15in PIPE
29	2	43-XXXX	LINK SEAL - 12in X 8in SS PIPE
30	4	44-5102	FLANGE - 304SS - 8in - 150# WELD NECK
31	2	46-5104	ELBOW - 304SS - 8in - 90 DEG - SHORT
32	4	47-5222	GASKET - FLANGE - 8in X 1/8in
33	1	48-6264	PIPE - PVC - 4in SCH40 - 10 LF
34	3	48-6266	ELBOW - PVC - 4in - 90 DEG - SLIP X SLIP
35	1	51-ROM	NEVER SIEZE - TUBE
36	1	60-5044	ULTRASONIC TRANSDUCER - XPS-15
37	4	60-5071	MECH SWCH ENM-10 CABLE 66'
38	3	62-6610	SEAL EYS 1 1-4in
39	3	62-6613	NIPPLE - GALV - 1.25in X CLOSE

AD	AM	AM	AM	AM	BY
4-13-09	03-13-09	02/27/09	02/20/09	02/18/09	DATE
REVISIONS					
5	UPDATED PER SITE PLAN				DESCRIPTION
4	REVISED INLET ORIENTATIONS PER SITE PLAN				DATE
3	DIM 44.25 WAS 44.00 - CORRECTED INVERT ELEV				DATE
2	ADDED FLOOR ELEVATION - CORRECTED OVERALL				DATE
1	COMPONENT DRAWING				DATE

VERIFY SCALE
BAR IS ONE INCH ON ORIGINAL DRAWING
IF NOT ONE INCH ON THIS SHEET, ADJUST SCALE PROPORTIONALLY
0
DSN - AM
CKD - AM
DATE - 02/18/09

COMPONENT DRAWING

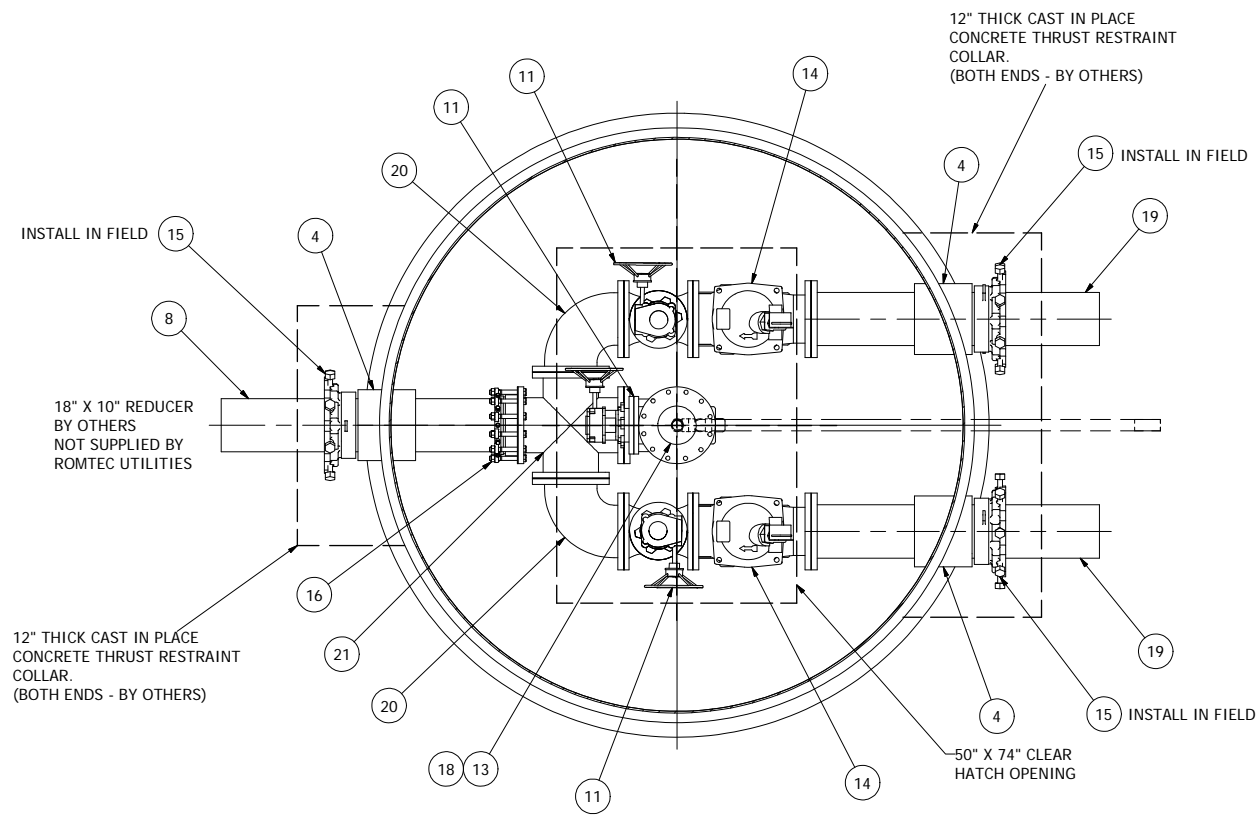
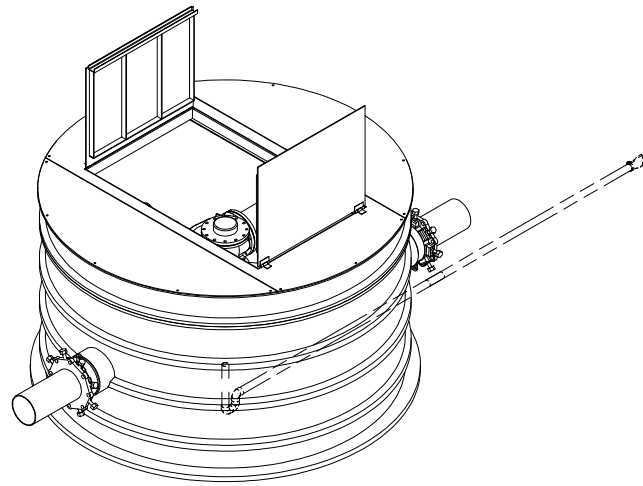
ROMTEC UTILITIES
18240 NORTH BANK ROAD
ROSEBURG, OREGON 97470
(541) 496-9678
FAX (541) 496-0804

JANE AVENUE
8" - 12' DIA WET WELL

SHEET
1 OF 2

JOB NUMBER
RMTC
0000

© 2009 ROMTEC INC. ALL RIGHTS RESERVED. THESE PLANS AND DRAWINGS MAY NOT BE REPRODUCED, ADAPTED, OR FURTHER DISTRIBUTED, AND NO COMPONENTS MAY BE CONSTRUCTED FROM THESE PLANS, WITHOUT WRITTEN PERMISSION OF ROMTEC, INC.



Parts List			
ITEM	QTY	STOCK NUMBER	DESCRIPTION
1	1	11-REF	TOP BARREL FLANGE
2	1	11-REF	BASE PLATE
3	1	11-REF	WET WELL BARREL - FIBERGLASS
4	3	11-REF	14" FRP PIPE SLEEVE
5	1	23-XXXX	HATCH - VV - 10ft FIBERGLASS - PED - 56570 - 50 X 74
6	2	25-5159	PIPE STAND - 10in - S92 SAD - NO BASE
7	2	25-5161	PIPE STAND - 10in - S89 FLG - NO BASE
8	1	40-5398	PIPE - DI - 10in
9	4	40-6559	PIPE - GALV - 2in SCH40
10	2	41-5395	MECHANICAL INDICATOR - 10in
11	3	41-5396	VALVE - PLUG - 10in - GEAR OP
12	2	41-6159	BACKFLOW ACTUATOR - 8in & 10in
13	1	41-6185	DUST CAP - 6in ALUM CAMLOCK
14	2	41-XXXX	VALVE - SWING CHECK - 10in
15	3	42-5206	ROMAGRIP ACCESSORY PACK - 10in DI MJ
16	1	42-5207	MEGAFLLANGE ADAPTER - 10in - SERIES 2100
17	3	43-XXXX	LINK SEAL - 14in X 10in DI PIPE
18	1	44-5087	FLANGE - DI - 10in - COMPANION W/6in TAP
19	2	45-XXXX	SPOOL - FLG X PE - 10in X 60in - DI
20	3	46-5211	ELBOW - DI - 10in - 90 DEG - FLG X FLG
21	1	46-XXXX	CROSS - DI - 10in
22	11	47-5252	GASKET - FLANGE - 10in X 1/8in

REV	DESCRIPTION	DATE	BY
2	ADDED INVERT ELEVATION	04/13/09	AM
1	COMPONENT DRAWING	02/18/09	AM

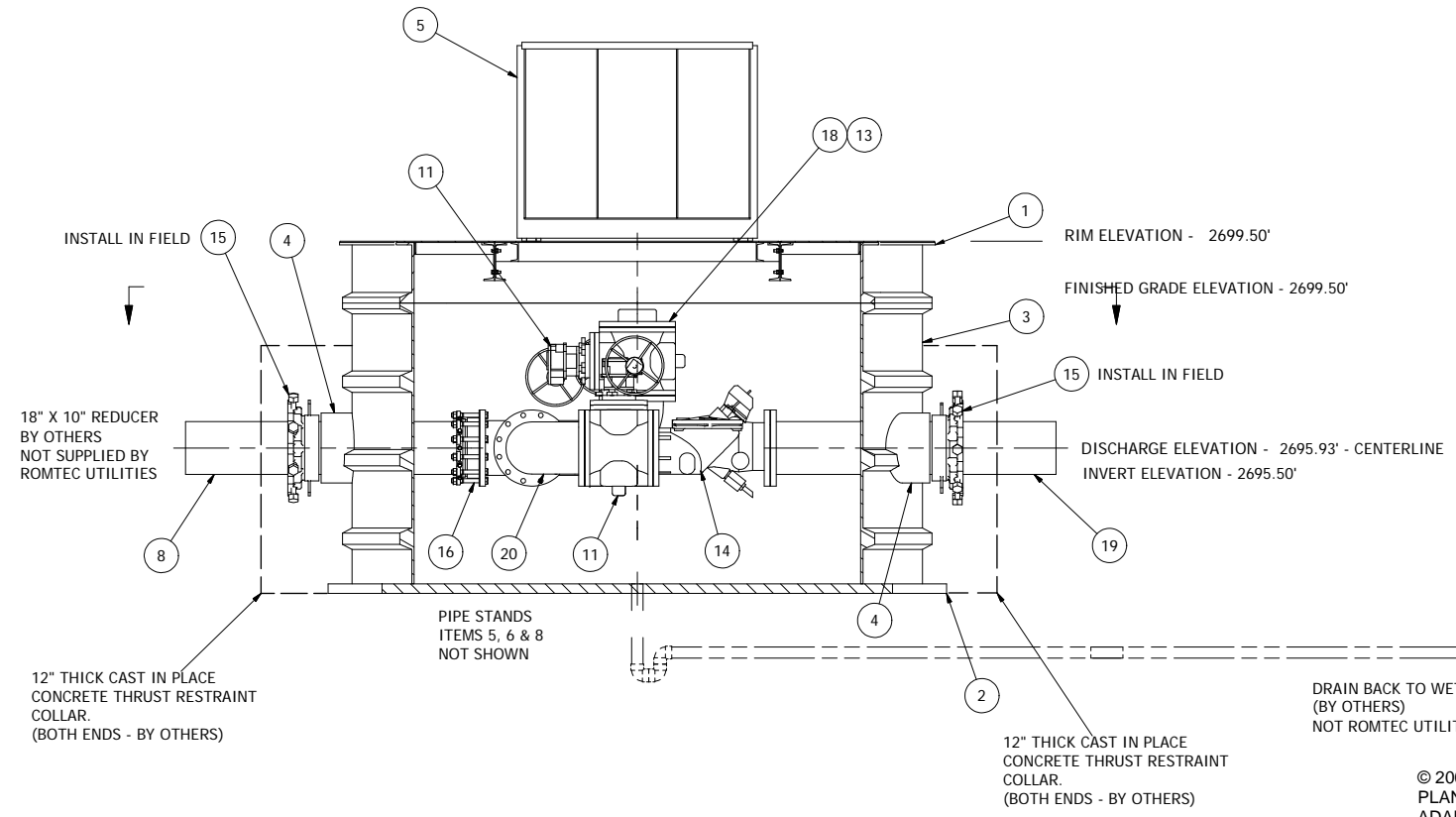
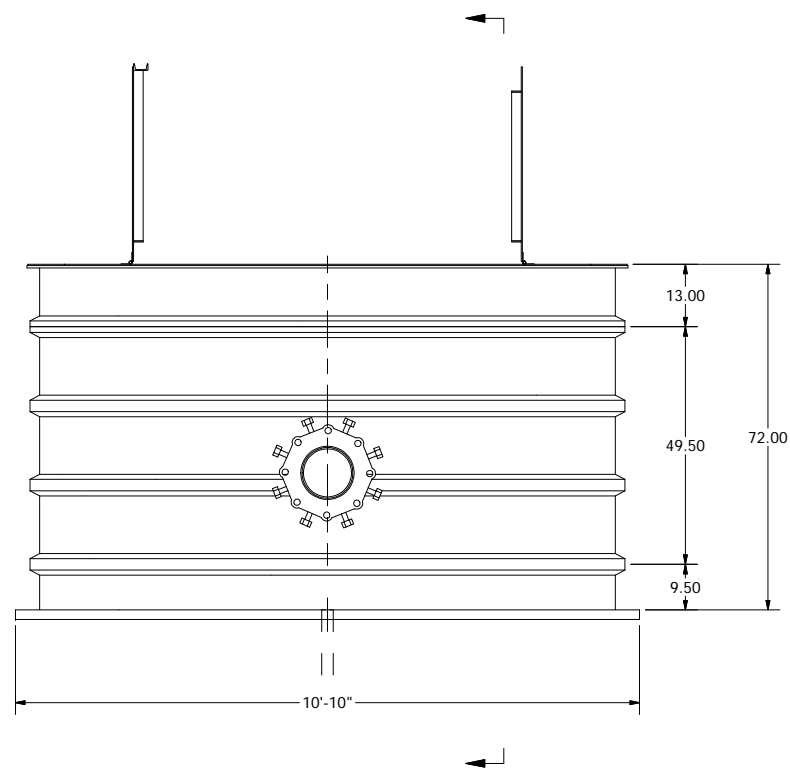
VERIFY SCALE BAR IS ONE INCH ON ORIGINAL DRAWING
 0 IF NOT ONE INCH ON THIS SHEET, ADJUST SCALE PROPORTIONALLY
 DSN - AM
 DRN - AM
 CKD -
 DATE - 02/18/09

ROMTEC UTILITIES
 18240 NORTH BANK ROAD
 ROSEBURG, OREGON 97470
 (541) 496-9678
 FAX (541) 496-0804

JANE AVENUE
 10" - 10' DIA VALVE VAULT

SHEET
2 OF 2
 JOB NUMBER
 RMTC
 0000

NOTE: VAULT TOP SLAB IS PEDESTRIAN RATED



**10' DIA VALVE VAULT
 10" PIPING AND VALVES**

© 2009 ROMTEC INC. ALL RIGHTS RESERVED. THESE PLANS AND DRAWINGS MAY NOT BE REPRODUCED, ADAPTED, OR FURTHER DISTRIBUTED, AND NO COMPONENTS MAY BE CONSTRUCTED FROM THESE PLANS, WITHOUT WRITTEN PERMISSION OF ROMTEC, INC.