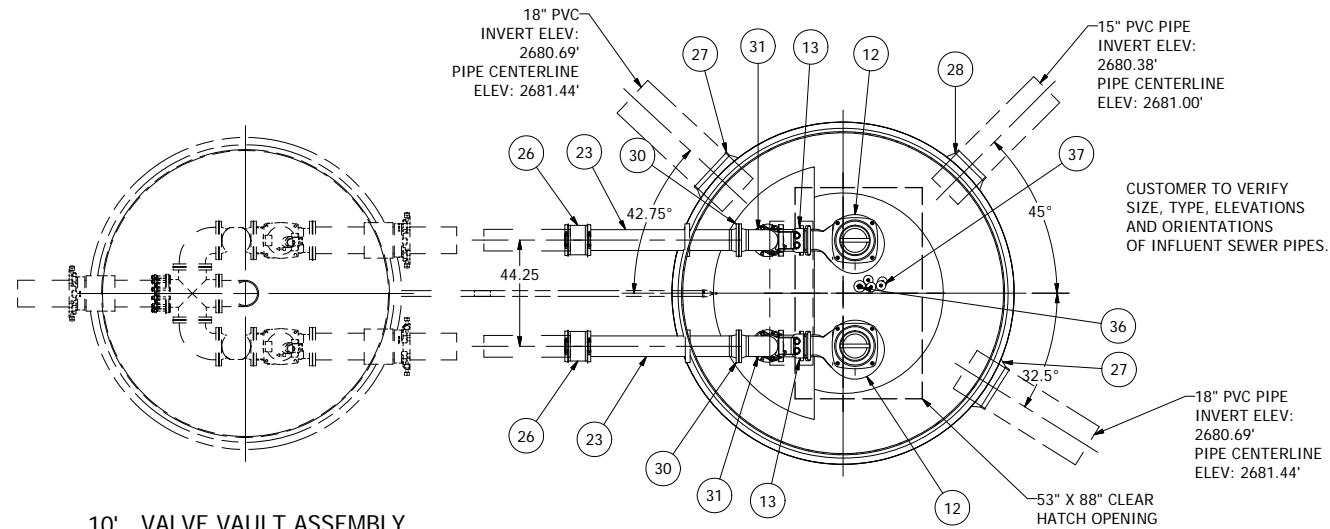
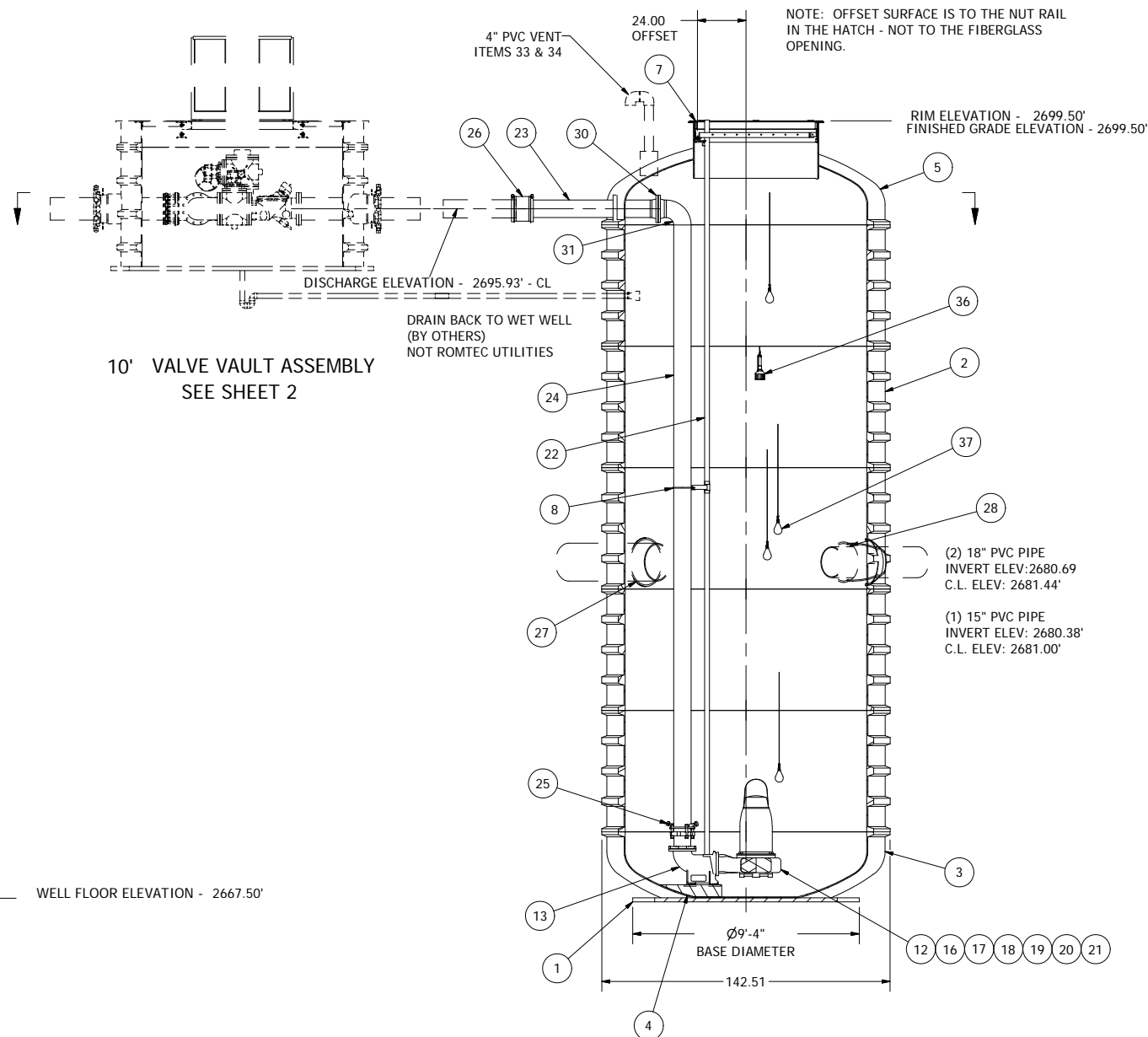
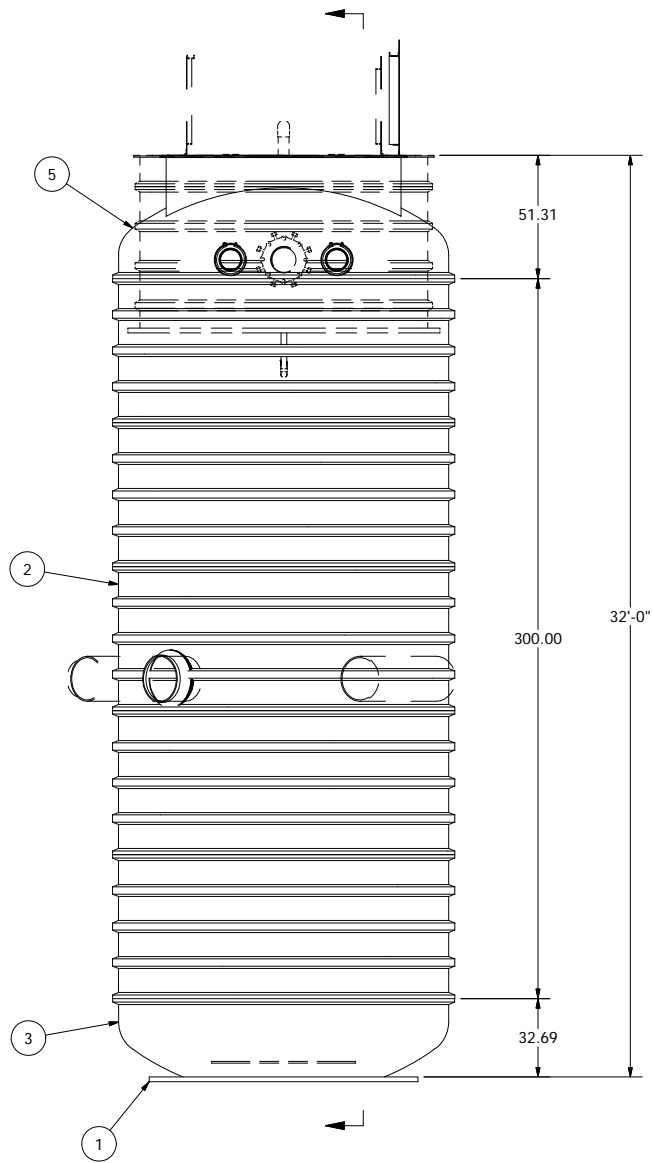


SENSOR AND ELEVATION TABLE		
LEVEL ELEVATION	DISTANCE BETWEEN POINTS	SET POINT DESCRIPTION
2680.69		SEWER INVERT IN
2680.75		HIGH LEVEL ALARM
	0.25	SENSOR SPACING
2681.00		LAG PUMP START
	0.50	SENSOR SPACING
2680.50		LEAD PUMP START
	9.00	SENSOR SPACING
2671.50		PUMP STOP
	APPROX 4.00	DISTANCE TO FLOOR
APPROX 2667.50		FLOOR ELEVATION



10' VALVE VAULT ASSEMBLY
SEE SHEET 2

NOTE: WET WELL TOP HATCH IS PEDESTRIAN RATED



10' VALVE VAULT ASSEMBLY
SEE SHEET 2

**12' DIAMETER WET WELL
8" DISCHARGE PIPING
NP3202 FLYGT PUMPS
10" - 10" DIA VALVE VAULT**

ALL MATERIALS SHOWN ON THIS SHEET WILL BE SUPPLIED BY ROMTEC UTILITIES AND DELIVERED TO THE SITE AFTER THE HOLE HAS BEEN EXCAVATED AND SHORED. THE CONTRACTOR SHALL SUPPLY A CRANE OF SUFFICIENT SIZE TO LOWER THE FIBERGLASS WET WELL INTO THE HOLE SAFELY. THE CONTRACTOR SHALL INSTALL THE WET WELL (AND VALVE VAULT AND METERING VAULT IF APPLICABLE). ROMTEC UTILITIES WILL PROVIDE A REPRESENTATIVE FOR TECHNICAL ASSISTANCE ON THE DAY OF INSTALLATION TO ANSWER ANY QUESTIONS THAT MAY ARISE. THE CONTRACTOR IS RESPONSIBLE FOR ALL PLUMBING AND ELECTRICAL CONNECTIONS AND INSTALLATION. ITEMS NOTED AS "BY OTHERS" WILL BE PROVIDED AND INSTALLED BY THE CONTRACTOR. ROMTEC UTILITIES WILL NOT INSTALL ANY OF THE COMPONENTS SHOWN ON THIS PAGE.

© 2009 ROMTEC INC. ALL RIGHTS RESERVED. THESE PLANS AND DRAWINGS MAY NOT BE REPRODUCED, ADAPTED, OR FURTHER DISTRIBUTED, AND NO COMPONENTS MAY BE CONSTRUCTED FROM THESE PLANS, WITHOUT WRITTEN PERMISSION OF ROMTEC, INC.

REV	DESCRIPTION	DATE	BY
5	UPDATED PER SITE PLAN	4-13-09	AD
4	REVISED INLET ORIENTATIONS PER SITE PLAN	03-13-09	AM
3	DIM 44.25 WAS 44.00 - CORRECTED INVERT ELEV	02/27/09	AM
2	ADDED FLOOR ELEVATION - CORRECTED OVERALL	02/20/09	AM
1	COMPONENT DRAWING	02/18/09	AM

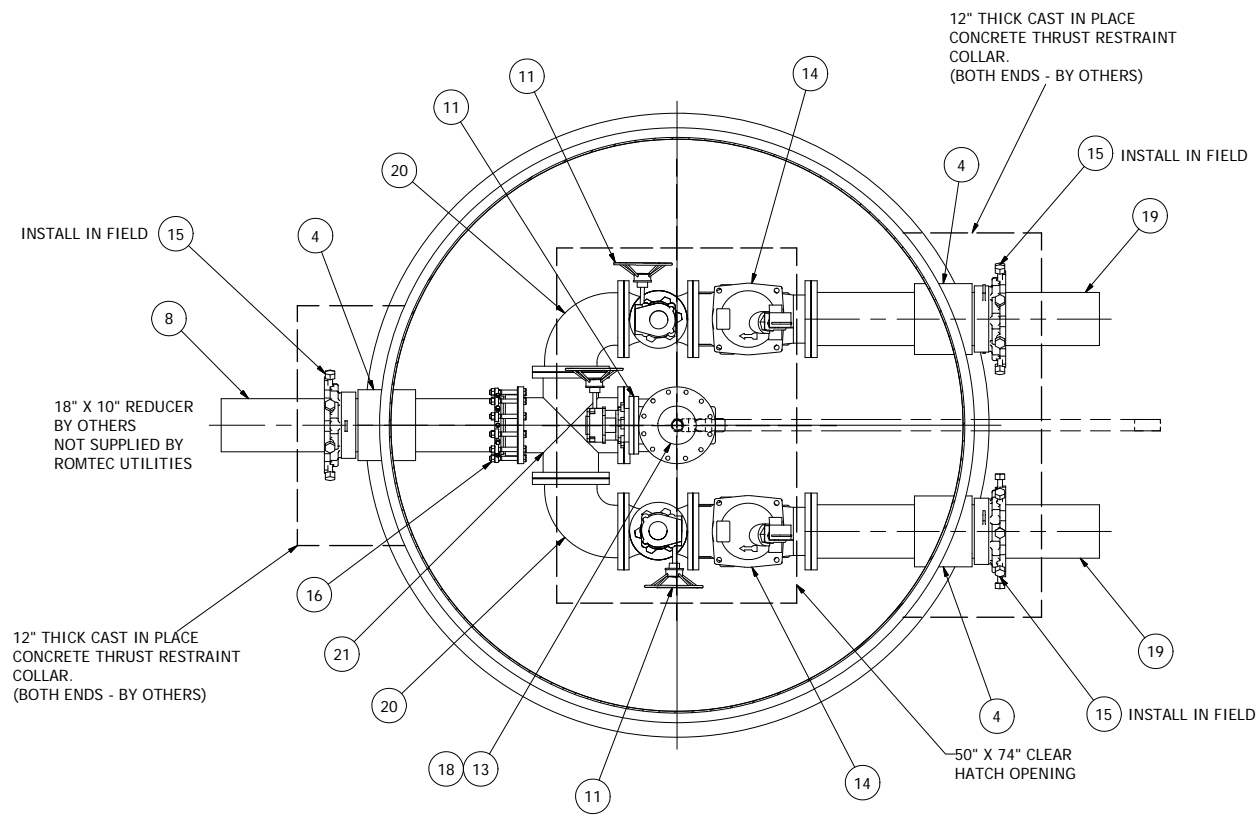
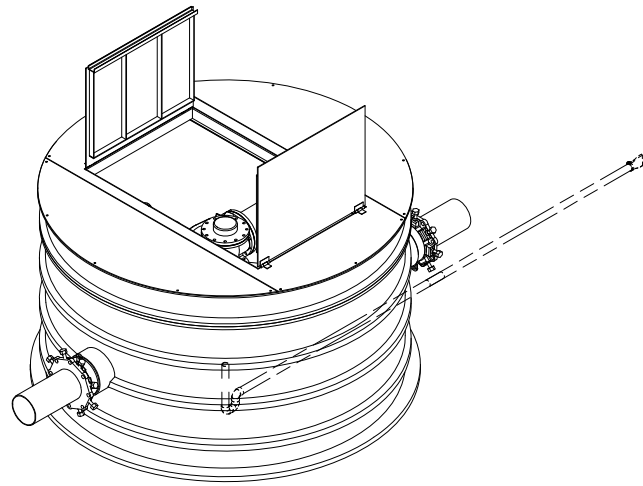
**COMPONENT
DRAWING**

**ROMTEC
UTILITIES**
18240 NORTH BANK ROAD
ROSEBURG, OREGON 97470
(541) 496-9678
FAX (541) 496-0804

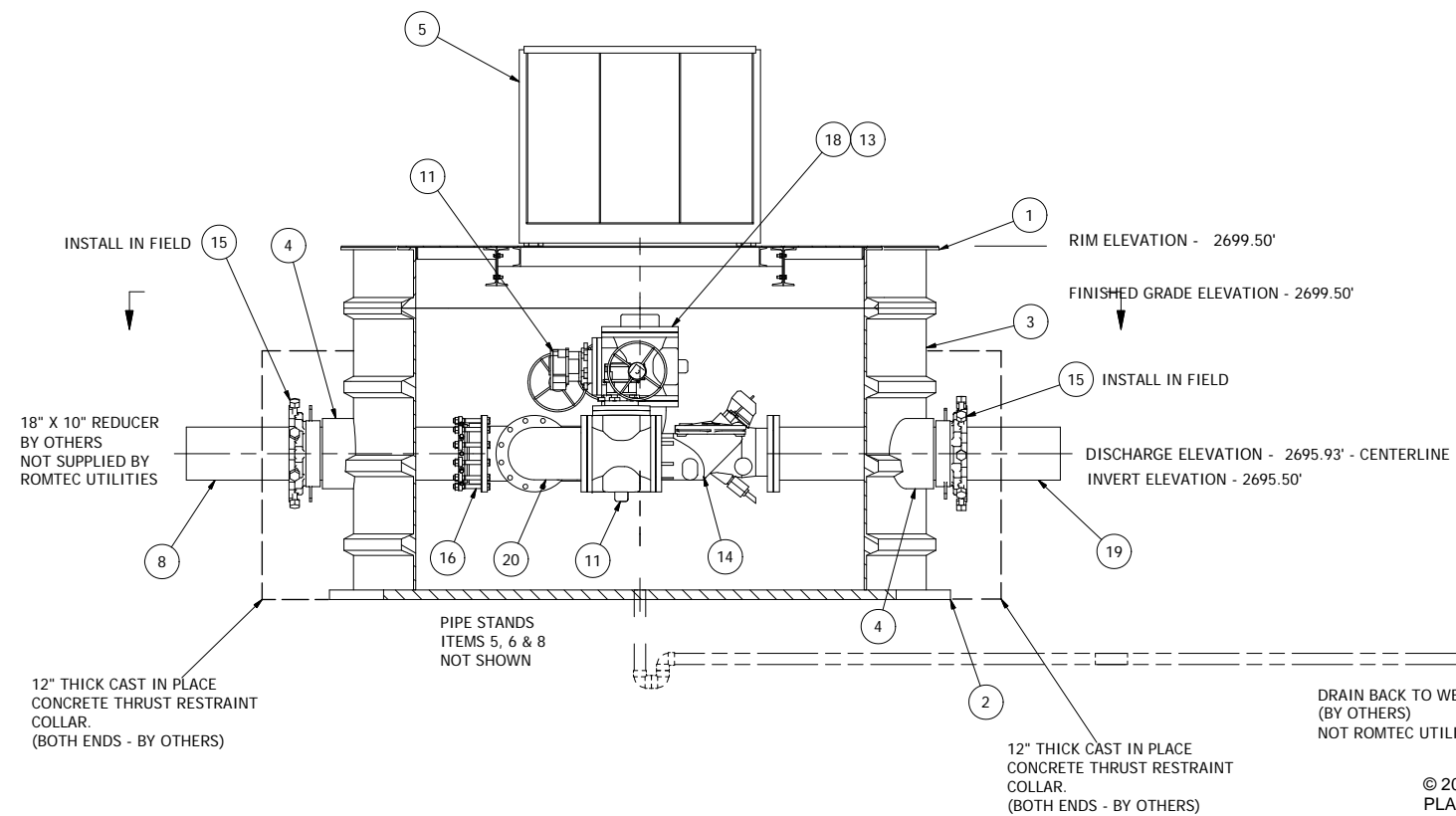
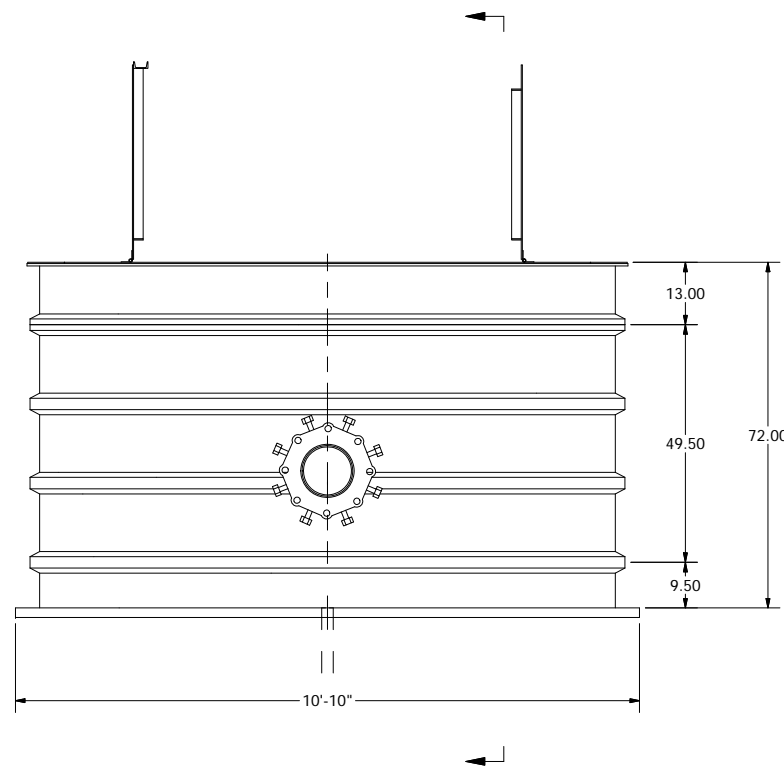
**JANE AVENUE
8" - 12' DIA WET WELL**

SHEET
1 OF 2

JOB NUMBER
**RMTC
0000**



NOTE: VAULT TOP SLAB IS PEDESTRIAN RATED



**10' DIA VALVE VAULT
10\"/>**

© 2009 ROMTEC INC. ALL RIGHTS RESERVED. THESE PLANS AND DRAWINGS MAY NOT BE REPRODUCED, ADAPTED, OR FURTHER DISTRIBUTED, AND NO COMPONENTS MAY BE CONSTRUCTED FROM THESE PLANS, WITHOUT WRITTEN PERMISSION OF ROMTEC, INC.

VERIFY SCALE BAR IS ONE INCH ON ORIGINAL DRAWING
0 IF NOT ONE INCH ON THIS SHEET, ADJUST SCALE PROPORTIONALLY

REV	DESCRIPTION	DATE	AM	BY
2	ADDED INVERT ELEVATION	04/13/09	AM	
1	COMPONENT DRAWING	02/18/09	AM	

COMPONENT DRAWING

ROMTEC UTILITIES
18240 NORTH BANK ROAD
ROSEBURG, OREGON 97470
(541) 496-9678
FAX (541) 496-0804

**JANE AVENUE
10\"/>**

SHEET
2 OF 2
JOB NUMBER
**RMTC
0000**