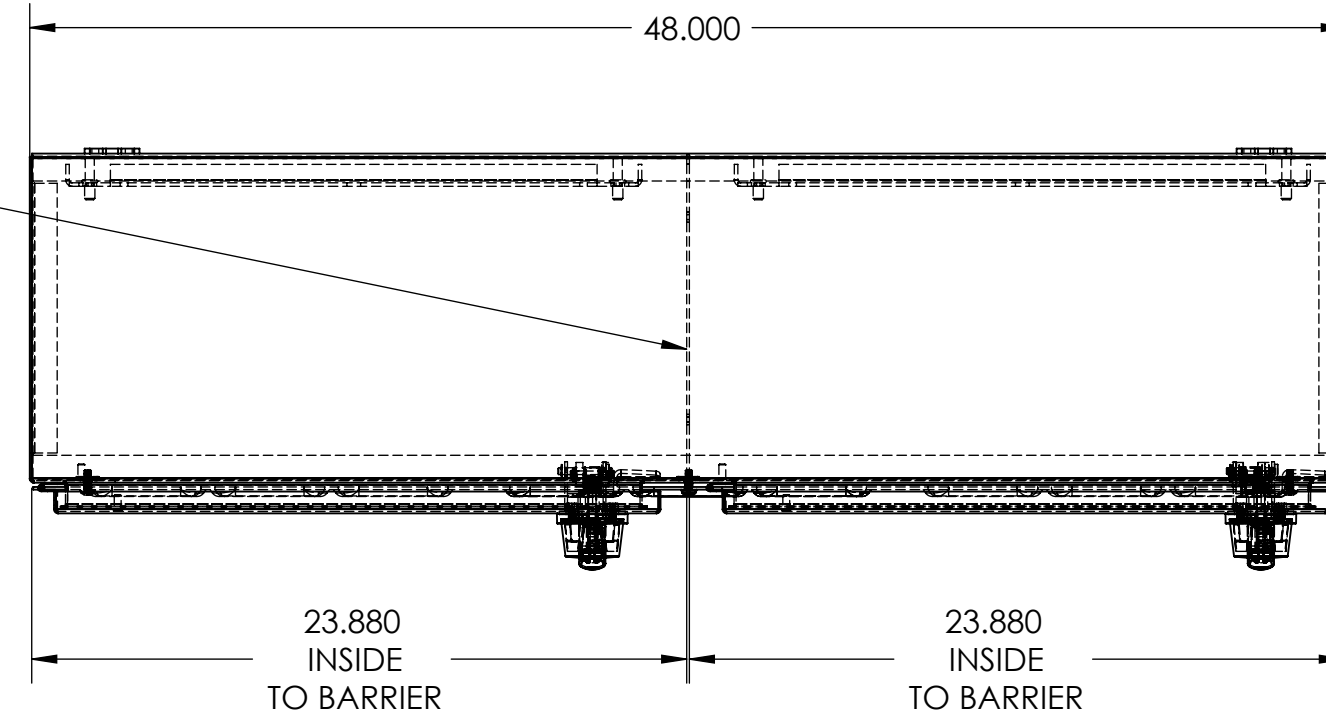
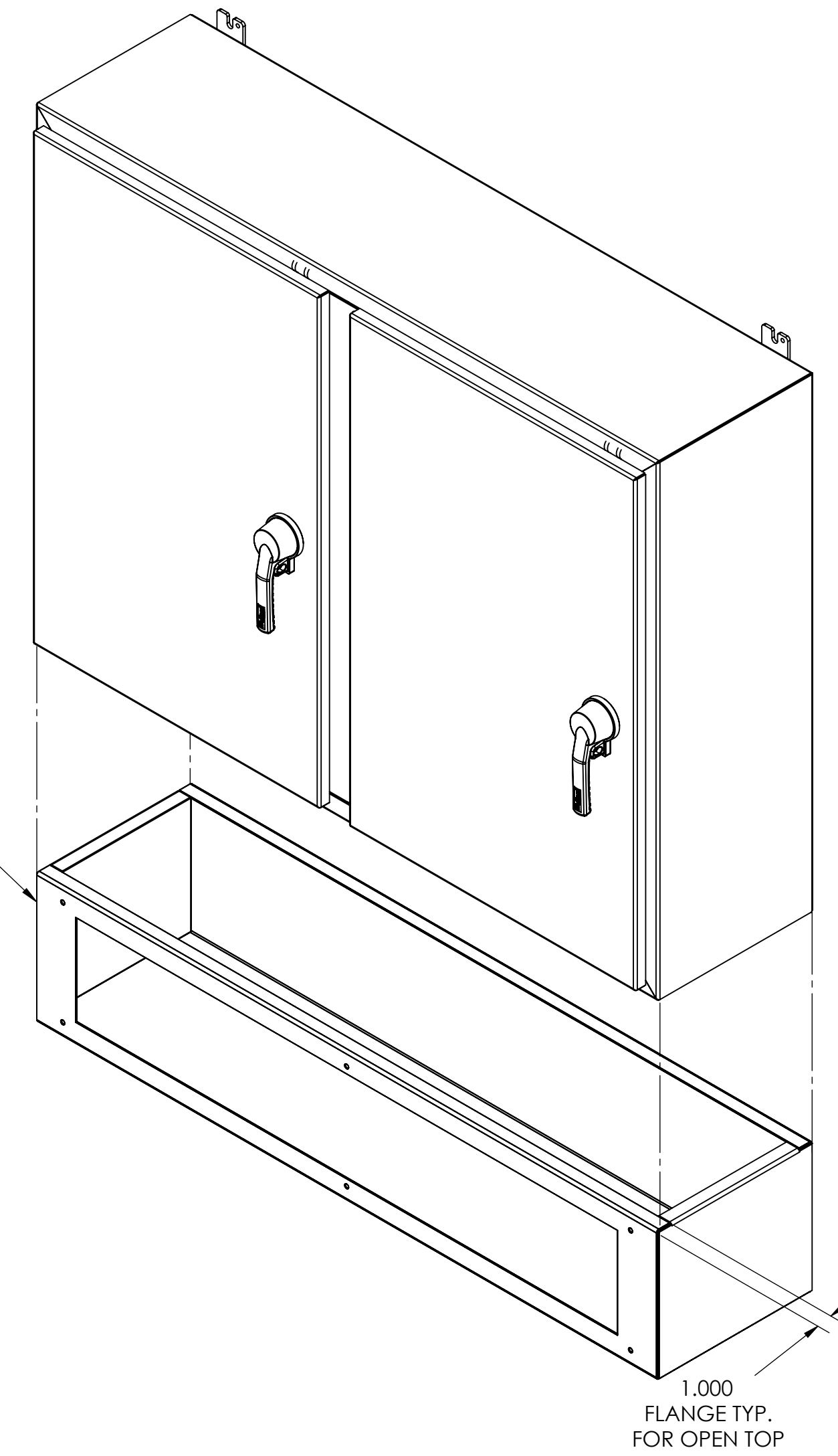


BARRIER WILL BE SKIP WELDED IN PLACE TO THE TOP/BOTTOM, BACK & SOLID C'POST & SEALED w/SILOCONE IN FINAL ASSEMBLY

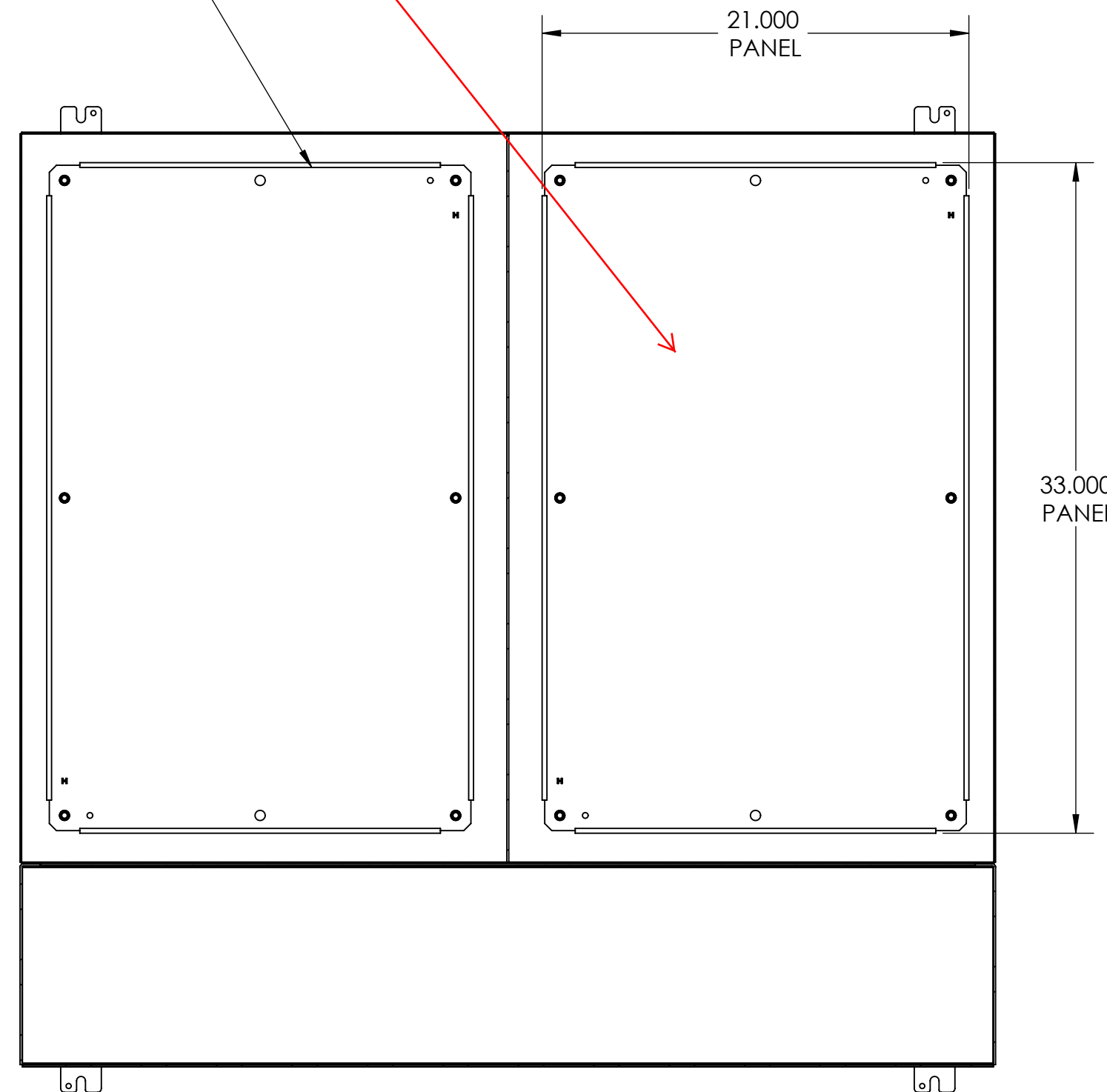


10H X 48W X 12D BASE SKIP WELDED TO BOTTOM OF CABINET



1.000 FLANGE TYP. FOR OPEN TOP

PANELS SHOWN FOR REF. ONLY

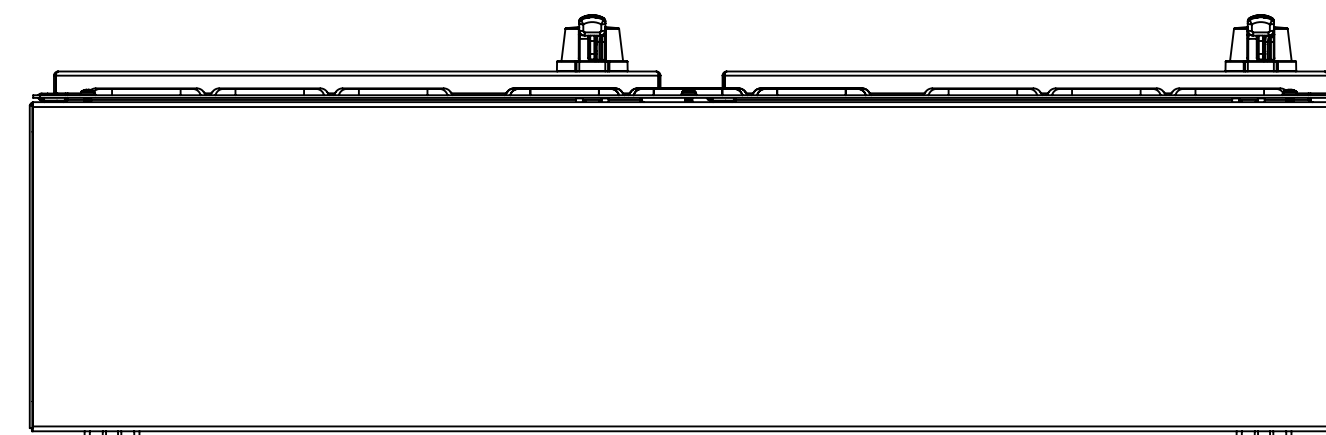


SECTION A-A SCALE 1:7

MINI L50 PADLOCKING HANDLES



LOUVERED COVER TO BE MOUNTED USING 1/4-20 SCREWS



- CUSTOM HEIGHT ENCLOSURE (36X48X12)
- TO BE PAINTED STD. WHITE IN/OUT
- TYPE 4 RATING

REFERENCE MODEL CODE / CATALOG NUMBER <b>27650 / A484812WFLP</b>	A	START REV CONTROL	06/21/13	KRZ
MATERIAL <b>14 GA MS</b>	REV	DESCRIPTION	DATE	BY
FINISH	Hoffman 2100 Hoffman Way Anoka, Minnesota, 55303-7504, U.S.A. Phone: 763-421-2240 Fax: 763-422-2178			
TOLERANCE UNLESS OTHERWISE NOTED	SCALE	NONE		
ONE PLACE (X) ± .1	DRAWN	KRZ		
TWO PLACE (XX) ± .03	CHECKED			
THREE PLACE (XXX) ± .015	APPROVED			
HOLE DIA ± .003	DATE	06/21/13		
ANGLES ± .2°	THIRD ANGLE	DO NOT SCALE DRAWING		
<p>PROPRIETARY AND CONFIDENTIAL THE INFORMATION CONTAINED IN THIS DRAWING IS THE SOLE PROPERTY OF HOFFMAN ENCLOSURES. ANY REPRODUCTION IN PART OR AS A WHOLE WITHOUT THE WRITTEN PERMISSION OF HOFFMAN ENCLOSURES IS PROHIBITED.</p>				
<p><b>B1191</b> <b>A12 2DR ASSEMBLY</b></p>		SIZE	DRAWING NO.	SHEET
		D	<b>B1191AY1</b>	1 OF 1

PROPRIETARY AND CONFIDENTIAL  
THE INFORMATION CONTAINED IN THIS DRAWING IS THE SOLE PROPERTY OF HOFFMAN ENCLOSURES. ANY REPRODUCTION IN PART OR AS A WHOLE WITHOUT THE WRITTEN PERMISSION OF HOFFMAN ENCLOSURES IS PROHIBITED.