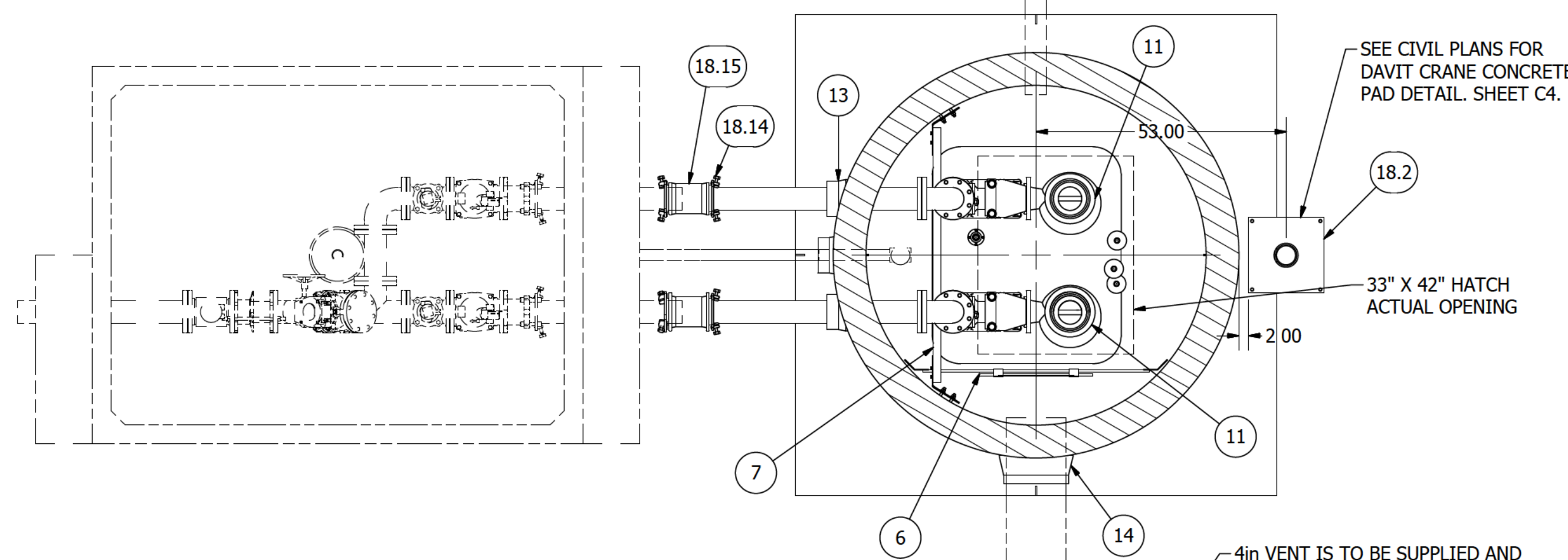


4in VENT IS TO BE SUPPLIED AND INSTALLED BY THE CITY'S CONTRACTOR.
 ROMTEC UTILITIES WILL SUPPLY THE CORED HOLE FOR THE VENT.
 ROMTEC UTILITIES WILL NOT BE SUPPLYING ANY PART OF THE VENT COMPONENTS.



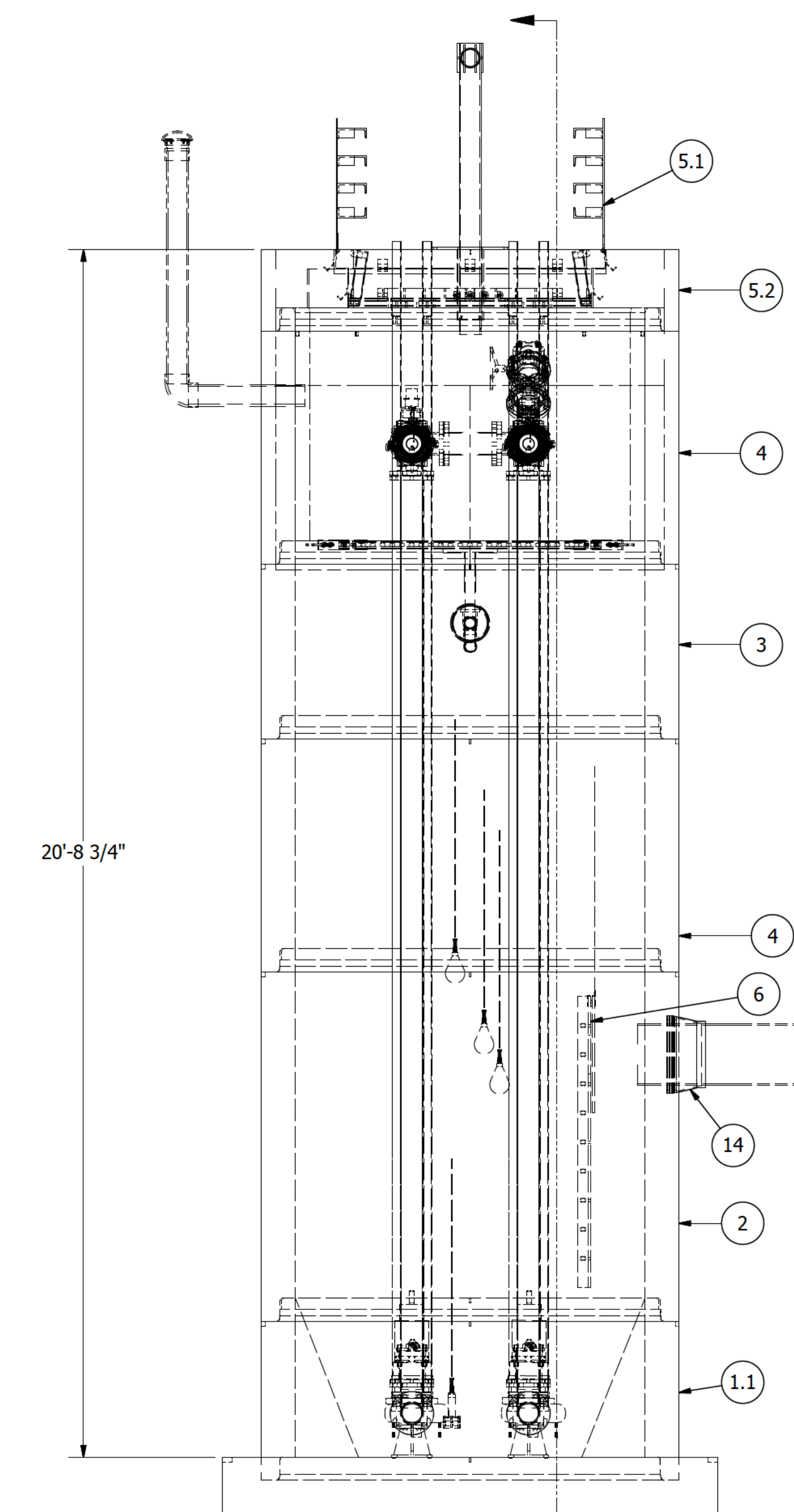
SEE CIVIL PLANS FOR
 DAVIT CRANE CONCRETE
 PAD DETAIL. SHEET C4.

33" X 42" HATCH
 ACTUAL OPENING

WET WELL TOP SLAB IS H20 FULL TRAFFIC RATED

NOTE:
 CONDUIT TO CONTROL
 PANEL (BY OTHERS)
 MINIMUM
 (2) FOR POWER
 (1) FOR LEVEL SENSING

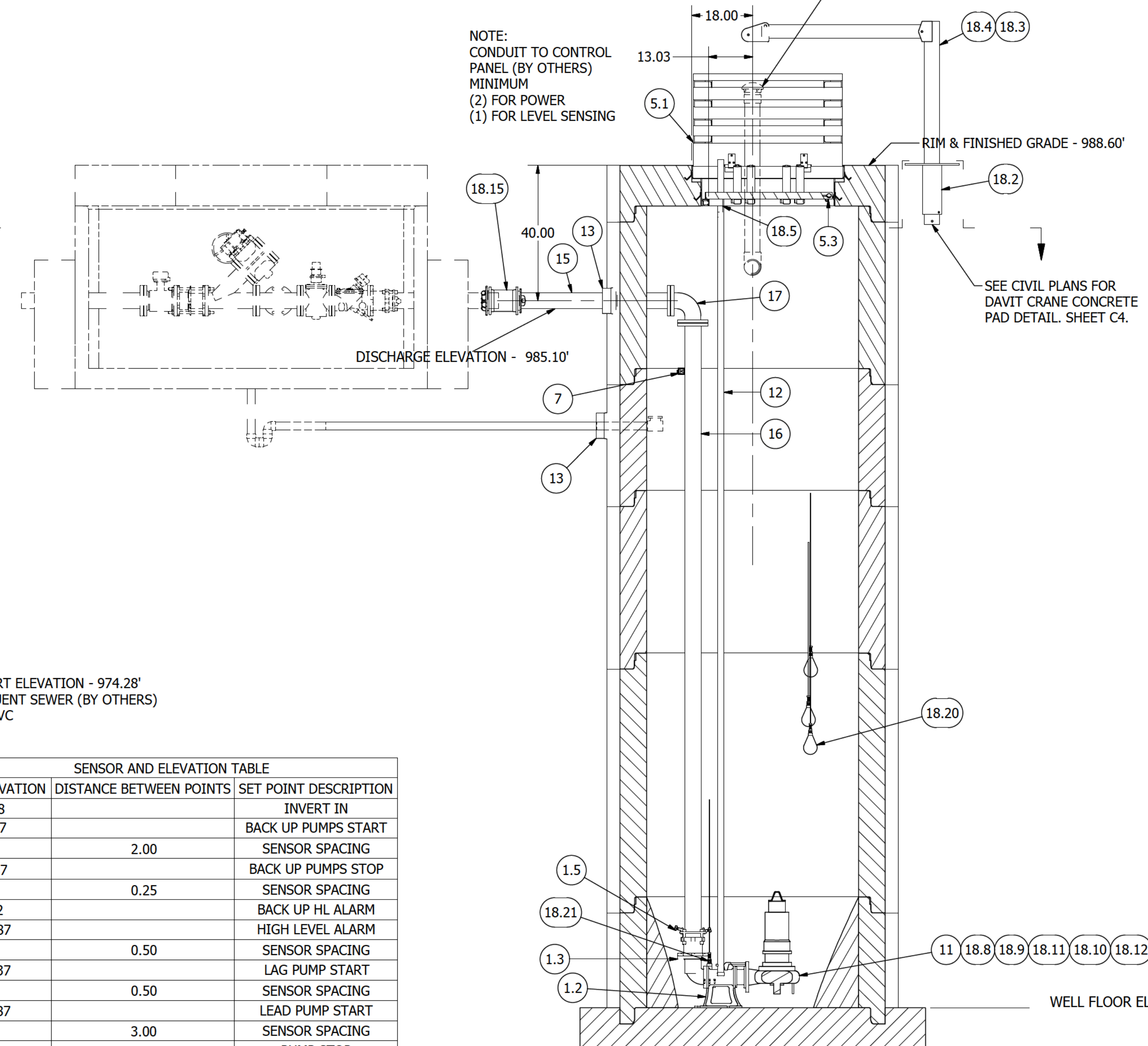
4in VENT IS TO BE SUPPLIED AND
 INSTALLED BY THE CITY'S CONTRACTOR.
 ROMTEC UTILITIES WILL SUPPLY
 THE CORED HOLE FOR THE VENT.
 ROMTEC UTILITIES WILL NOT BE SUPPLYING
 ANY PART OF THE VENT COMPONENTS.



20'-8 3/4"

INVERT ELEVATION - 974.28'
 INFLUENT SEWER (BY OTHERS)
 12" PVC

SENSOR AND ELEVATION TABLE		
LEVEL ELEVATION	DISTANCE BETWEEN POINTS	SET POINT DESCRIPTION
974.28		INVERT IN
976.37		BACK UP PUMPS START
	2.00	SENSOR SPACING
974.37		BACK UP PUMPS STOP
	0.25	SENSOR SPACING
974.12		BACK UP HL ALARM
973.87		HIGH LEVEL ALARM
	0.50	SENSOR SPACING
973.37		LAG PUMP START
	0.50	SENSOR SPACING
972.87		LEAD PUMP START
	3.00	SENSOR SPACING
969.87		PUMP STOP
	2.00	DISTANCE TO FLOOR
967.87		FLOOR ELEVATION



RIM & FINISHED GRADE - 988.60'

SEE CIVIL PLANS FOR
 DAVIT CRANE CONCRETE
 PAD DETAIL. SHEET C4.

WELL FLOOR ELEVATION - 967.87'

DISCHARGE ELEVATION - 985.10'

Parts List	
1	1.1
2	2
3	3
4	4
5	5.1
6	6
7	7
8	8
9	9
10	10
11	11
12	12
13	13
14	14
15	15
16	16
17	17
18	18.00
19	18.03
20	18.15
21	18.2
22	18.4
23	18.3
24	18.5
25	18.20
26	18.21
27	1.3
28	1.2
29	11
30	18.8
31	18.9
32	18.11
33	18.10
34	18.12
35	18.13

REV	DESCRIPTION	DATE	APPROV
1	REVISED INLET ORIENTATION	1-29-15	AD
2	NEW ELEVATIONS	3-5-15	AD
3	ELEVATION CHANGES AND ADDED CRANE	5-12-15	AD
4	PRE-LAUNCH EDITS	8-18-15	KB

VERIFY SCALE
 BAR IS ONE INCH ON
 ORIGINAL DRAWING
 1"
 IF NOT ONE INCH ON
 THIS SHEET, ADJUST
 SCALES ACCORDINGLY
 0
 DSN - AD
 DRN - AD
 CKD - AD
 DATE - 12-18-14

COMPONENT
 DRAWING

ROMTEC UTILITIES
 18240 NORTH BANK ROAD
 ROSEBURG, OREGON 97470
 (541) 496-9678
 FAX (541) 496-0804

INLAND EMPIRE
 6" WET WELL - 4" DISCHARGE

SHEET
 1 of 1
 JOB NUMBER
 RMTC
 0000

6' DIAMETER WET WELL
 4" DISCHARGE PIPING
 100DLMKFMU62.2 EBARA PUMPS
 4" - 6' X 8' VALVE VAULT

ALL MATERIALS SHOWN ON THIS SHEET WILL BE SUPPLIED BY ROMTEC UTILITIES AND DELIVERED TO THE SITE AFTER THE HOLE HAS BEEN EXCAVATED AND SHORED. THE CONTRACTOR SHALL SUPPLY A CRANE OF SUFFICIENT SIZE TO LOWER ALL THE CONCRETE PIECES INTO THE HOLE SAFELY. THE CONTRACTOR SHALL INSTALL THE WET WELL (AND VALVE VAULT AND METERING VAULT IF APPLICABLE). ROMTEC UTILITIES WILL PROVIDE A REPRESENTATIVE FOR TECHNICAL ASSISTANCE ON THE DAY OF INSTALLATION TO ANSWER ANY QUESTIONS THAT MAY ARISE. THE CONTRACTOR IS RESPONSIBLE FOR ALL PLUMBING AND ELECTRICAL CONNECTIONS AND INSTALLATION. ITEMS NOTED AS "BY OTHERS" WILL BE PROVIDED AND INSTALLED BY THE CONTRACTOR. ROMTEC UTILITIES WILL NOT INSTALL ANY OF THE COMPONENTS SHOWN ON THIS PAGE.

NOTE: ALL DIMENSIONS AND ELEVATIONS SHOWN ARE NOMINAL DIMENSIONS. IT IS THE RESPONSIBILITY OF THE ON-SITE CONTRACTOR OR ROMTEC UTILITIES CUSTOMER (NOT ROMTEC UTILITIES) TO VERIFY THE ACCURACY OF ANY CRITICAL DIMENSIONS OR ELEVATIONS PRIOR TO SETTING OR INSTALLING ANY EQUIPMENT.

© 2014 ROMTEC INC. ALL RIGHTS RESERVED. THESE PLANS AND DRAWINGS MAY NOT BE REPRODUCED, ADAPTED, OR FURTHER DISTRIBUTED, AND NO COMPONENTS MAY BE CONSTRUCTED FROM THESE PLANS, WITHOUT WRITTEN PERMISSION OF ROMTEC, INC.