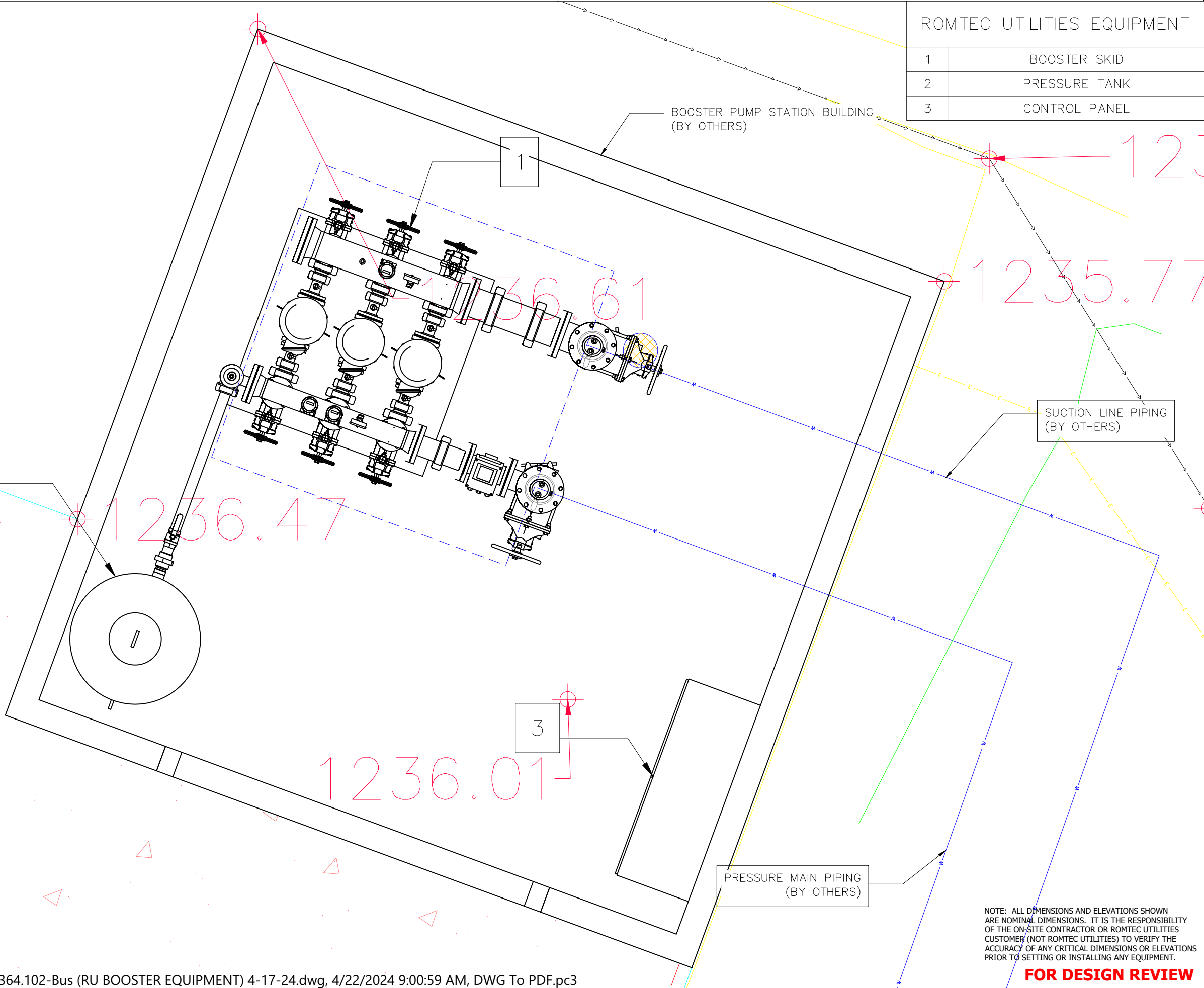


ROMTEC UTILITIES EQUIPMENT

1	BOOSTER SKID
2	PRESSURE TANK
3	CONTROL PANEL



ALL MATERIALS SHOWN ON THIS SHEET WILL BE SUPPLIED BY ROMTEC UTILITIES AND DELIVERED TO THE SITE AFTER THE HOLE HAS BEEN EXCAVATED AND SHORED. THE CONTRACTOR SHALL SUPPLY A CRANE OF SUFFICIENT SIZE TO LOWER ALL THE CONCRETE PIECES INTO THE HOLE SAFELY. THE CONTRACTOR SHALL INSTALL THE WET WELL (AND VALVE VAULT AND METERING VAULT IF APPLICABLE). ROMTEC UTILITIES WILL PROVIDE A REPRESENTATIVE FOR TECHNICAL ASSISTANCE ON THE DAY OF INSTALLATION TO ANSWER ANY QUESTIONS THAT MAY ARISE. THE CONTRACTOR IS RESPONSIBLE FOR ALL PLUMBING AND ELECTRICAL CONNECTIONS AND INSTALLATION. ITEMS NOTED AS "BY OTHERS" WILL BE PROVIDED AND INSTALLED BY THE CONTRACTOR. ROMTEC UTILITIES WILL NOT INSTALL ANY OF THE COMPONENTS SHOWN ON THIS PAGE.



© 2022 ROMTEC INC. ALL RIGHTS RESERVED. THESE PLANS AND DRAWINGS MAY NOT BE REPRODUCED, ADAPTED, OR FURTHER DISTRIBUTED, AND NO COMPONENTS MAY BE CONSTRUCTED FROM THESE PLANS, WITHOUT WRITTEN PERMISSION OF ROMTEC, INC.

SSDS	INITIAL DESIGN	DATE	REVISION HISTORY
1	4/12/2024	RD	
0	8/24/23	RD	

VERIFY SCALE: 1" = 10'-0"

DATE: 4/12/24

DSN: RD
DRN: RD
CKD:

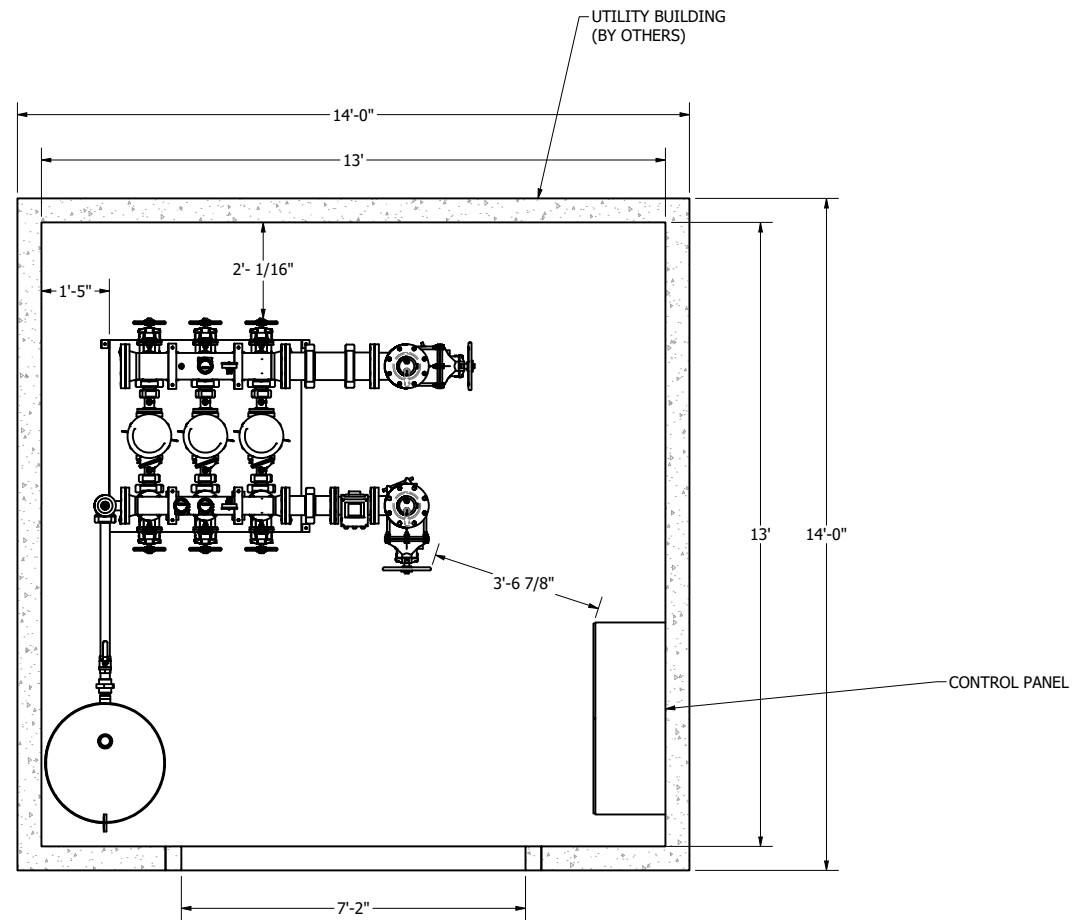
ROMTEC UTILITIES
 18240 NORTH BANK ROAD
 ROSEBURG, OREGON 97470
 PHONE: (541) 496-9678
 WWW.ROMTECUTILITIES.COM

CANYON PARK IMPROVEMENTS
 MONROVIA, CA
BOOSTER PUMP STATION LAYOUT

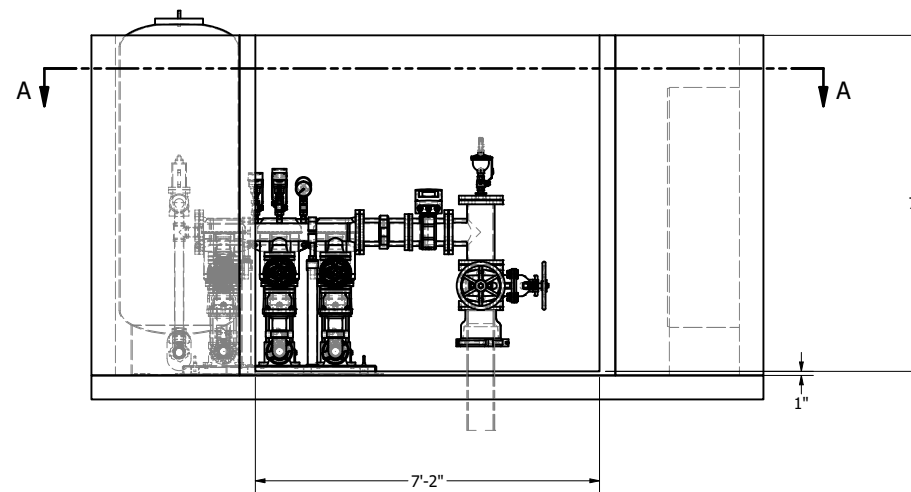
NOTE: ALL DIMENSIONS AND ELEVATIONS SHOWN ARE NOMINAL DIMENSIONS. IT IS THE RESPONSIBILITY OF THE ON-SITE CONTRACTOR OR ROMTEC UTILITIES CUSTOMER (NOT ROMTEC UTILITIES) TO VERIFY THE ACCURACY OF ANY CRITICAL DIMENSIONS OR ELEVATIONS PRIOR TO SETTING OR INSTALLING ANY EQUIPMENT.

FOR DESIGN REVIEW

SHEET C-01



SECTION A-A
SCALE 1 / 24



ALL MATERIALS SHOWN ON THIS SHEET WILL BE SUPPLIED BY ROMTEC UTILITIES AND DELIVERED TO THE SITE AFTER THE HOLE HAS BEEN EXCAVATED AND SHORED. THE CONTRACTOR SHALL SUPPLY A CRANE OF SUFFICIENT SIZE TO LOWER ALL THE CONCRETE PIECES INTO THE HOLE SAFELY. THE CONTRACTOR SHALL INSTALL THE WET WELL (AND VALVE VAULT AND METERING VAULT IF APPLICABLE). ROMTEC UTILITIES WILL PROVIDE A REPRESENTATIVE FOR TECHNICAL ASSISTANCE ON THE DAY OF INSTALLATION TO ANSWER ANY QUESTIONS THAT MAY ARISE. THE CONTRACTOR IS RESPONSIBLE FOR ALL PLUMBING AND ELECTRICAL CONNECTIONS AND INSTALLATION. ITEMS NOTED AS "BY OTHERS" WILL BE PROVIDED AND INSTALLED BY THE CONTRACTOR. ROMTEC UTILITIES WILL NOT INSTALL ANY OF THE COMPONENTS SHOWN ON THIS PAGE.



© 2022 ROMTEC INC. ALL RIGHTS RESERVED. THESE PLANS AND DRAWINGS MAY NOT BE REPRODUCED, ADAPTED, OR FURTHER DISTRIBUTED, AND NO COMPONENTS MAY BE CONSTRUCTED FROM THESE PLANS, WITHOUT WRITTEN PERMISSION OF ROMTEC, INC.

NOTE: ALL DIMENSIONS AND ELEVATIONS SHOWN ARE NOMINAL DIMENSIONS. IT IS THE RESPONSIBILITY OF THE ON-SITE CONTRACTOR OR ROMTEC UTILITIES CUSTOMER (NOT ROMTEC UTILITIES) TO VERIFY THE ACCURACY OF ANY CRITICAL DIMENSIONS OR ELEVATIONS PRIOR TO SETTING OR INSTALLING ANY EQUIPMENT.

FOR DESIGN REVIEW

RD	LAUNCH DOCS
RD	SSDS
RD	INITIAL DESIGN
BY	DESCRIPTION
	REVISION HISTORY

2	5/14/24	REV	DATE
1	4/12/2024	REV	DATE
0	8/24/23	REV	DATE
		REV	DATE

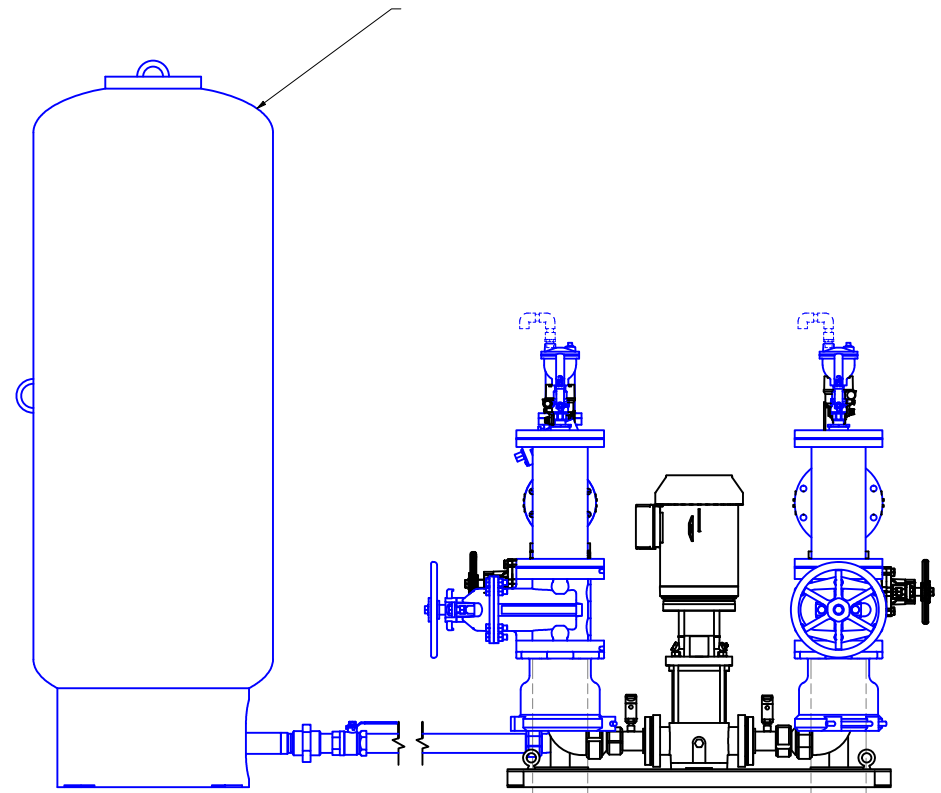
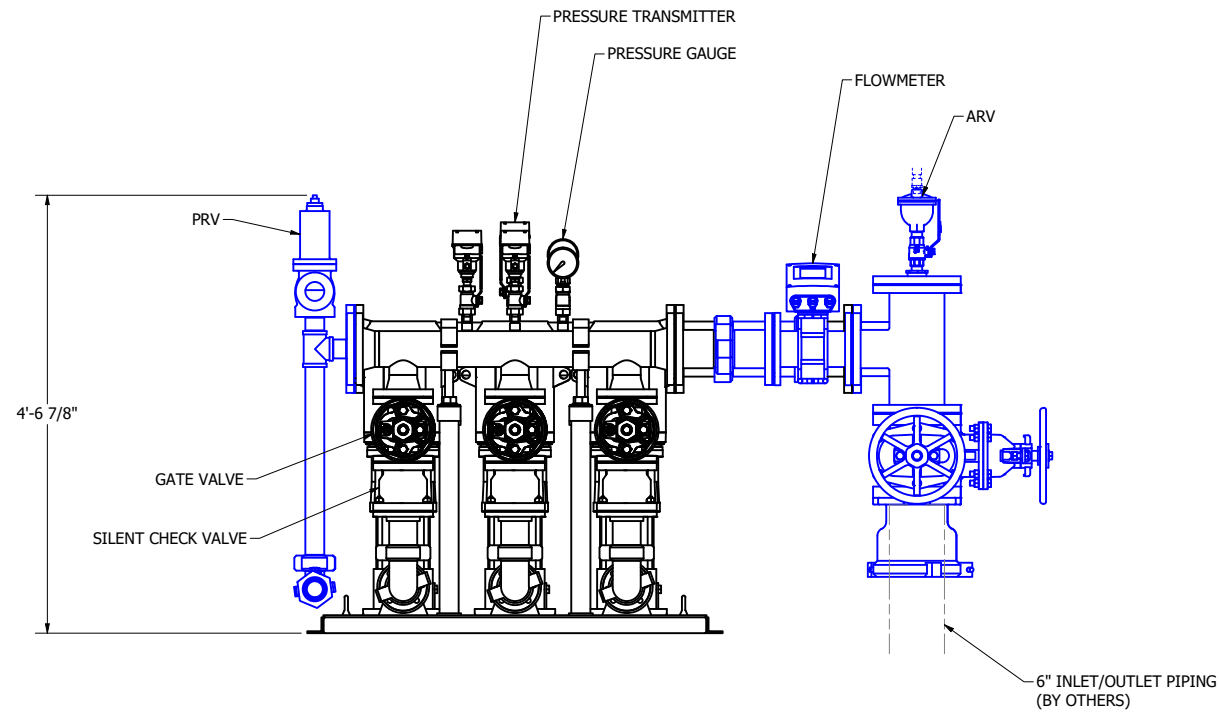
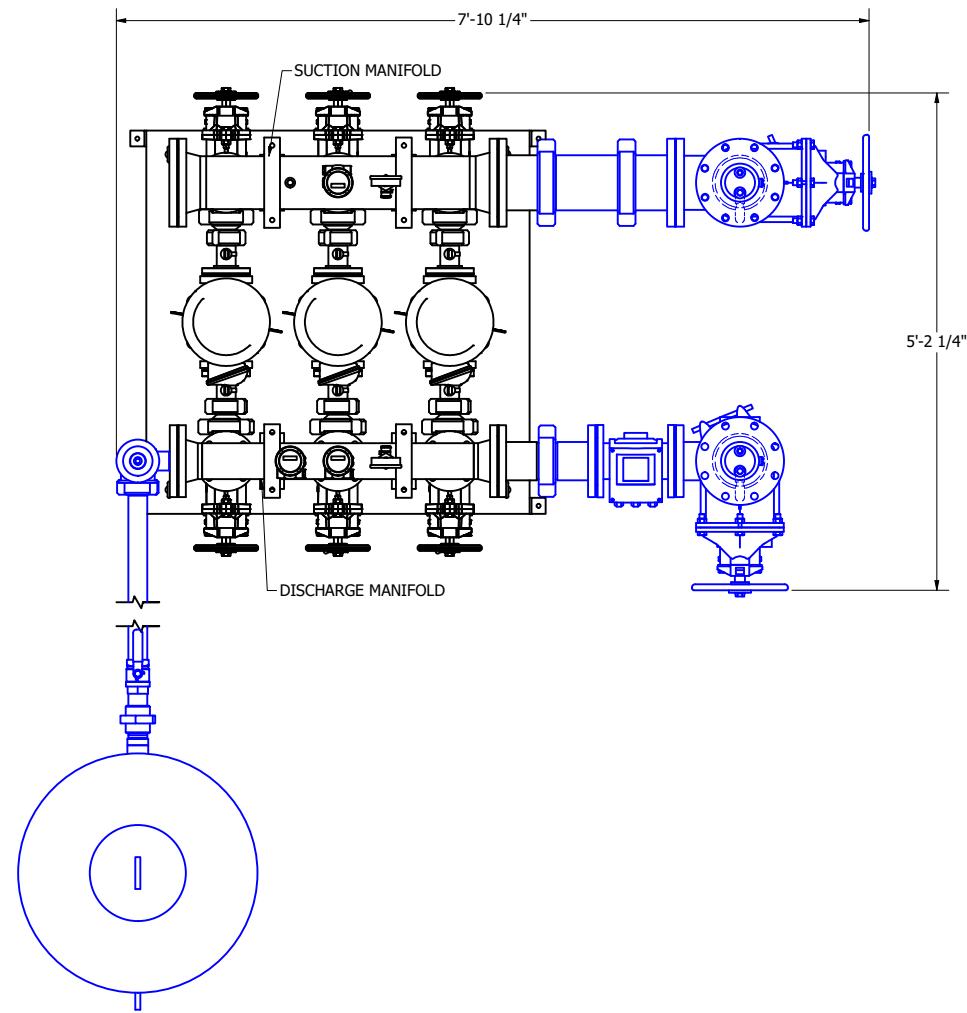
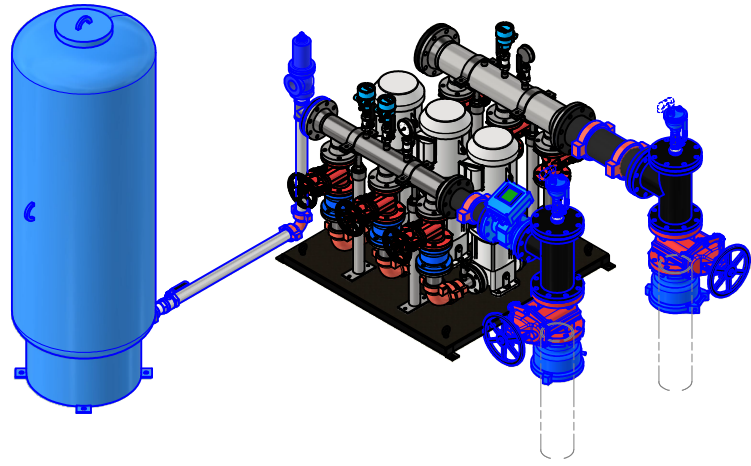
VERIFY SCALE
 0 1"
 DSN: KB
 DRN: KB
 CKD:
 DATE: 7-26-23

ROMTEC UTILITIES
 18240 NORTH BANK ROAD
 ROSEBURG, OREGON 97470
 PHONE: (541) 496-9678
 WWW.ROMTECUTILITIES.COM

CANYON PARK IMPROVEMENTS
 MONROVIA, CA
 BOOSTER PUMP STATION
 BUILDING LAYOUT DRAWING

SHEET
 C-02

FOR CONSTRUCTION



© 2022 ROMTEC INC. ALL RIGHTS RESERVED. THESE PLANS AND DRAWINGS MAY NOT BE REPRODUCED, ADAPTED, OR FURTHER DISTRIBUTED, AND NO COMPONENTS MAY BE CONSTRUCTED FROM THESE PLANS, WITHOUT WRITTEN PERMISSION OF ROMTEC, INC.

CC	6/18/2024	BLUE & BLACK FOR CONSTRUCTION
RD	5/14/24	LAUNCH DOCS
RD	4/12/2024	SSDS
RD	8/24/23	INITIAL DESIGN
BY		DESCRIPTION
	REV	DATE
		REVISION HISTORY

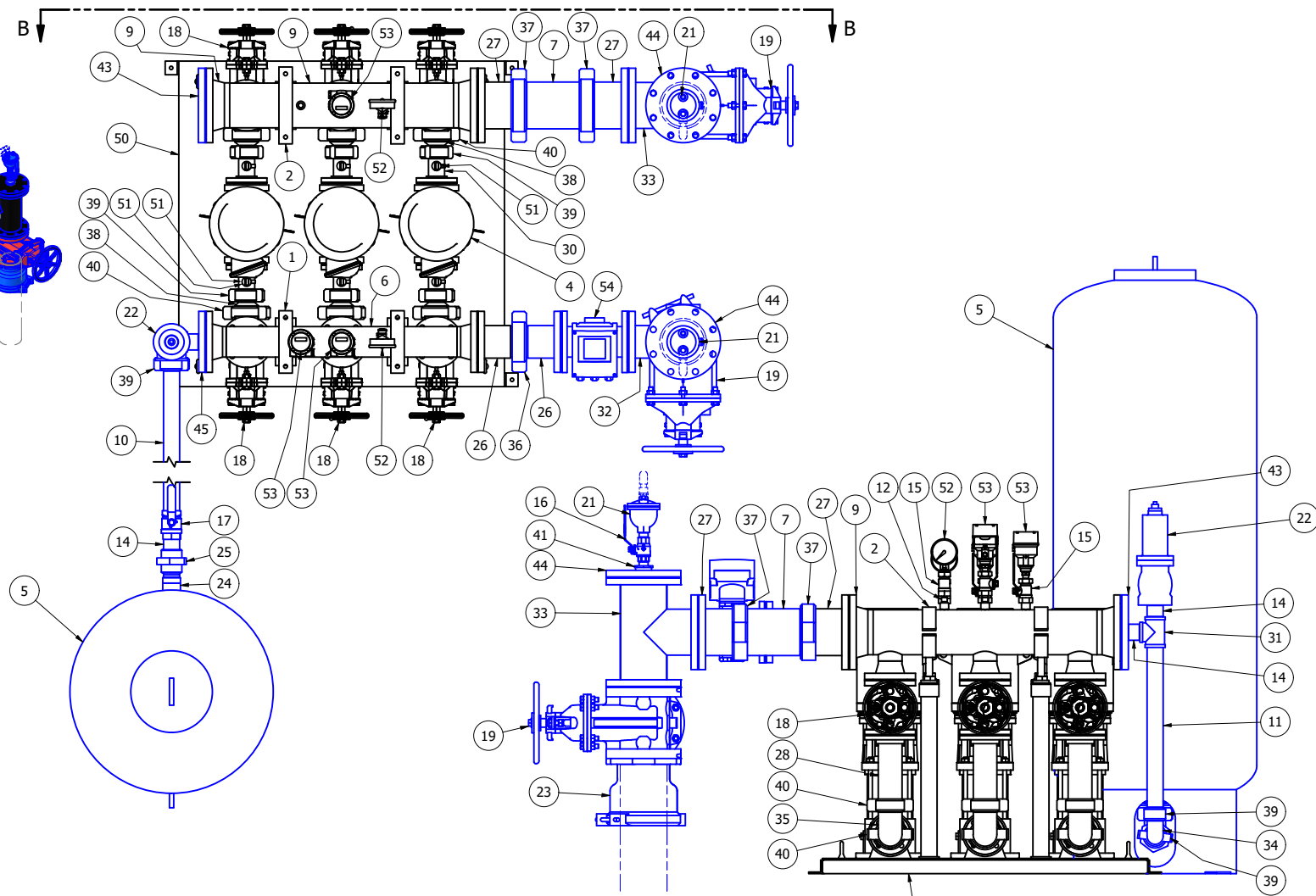
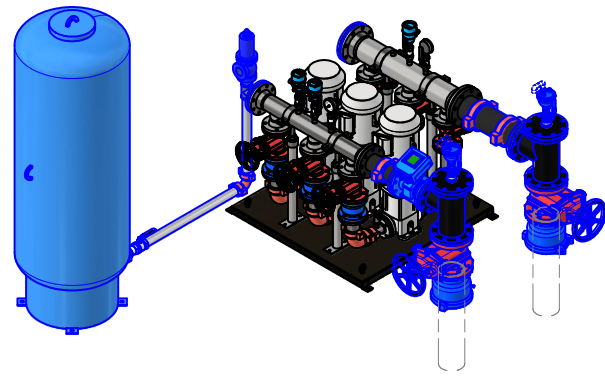
VERIFY SCALE
 DRAWING AND FIELD
 DIMENSIONS SHALL
 BE IN ACCORDANCE
 WITH THE PROJECT
 SPECIFICATIONS
 0 1"
 DSN: KB
 DRN: KB
 CKD:
 DATE: 7-26-23

ROMTEC UTILITIES
 18240 NORTH BANK ROAD
 ROSEBURG, OREGON 97470
 PHONE: (541) 496-9678
 WWW.ROMTECUTILITIES.COM

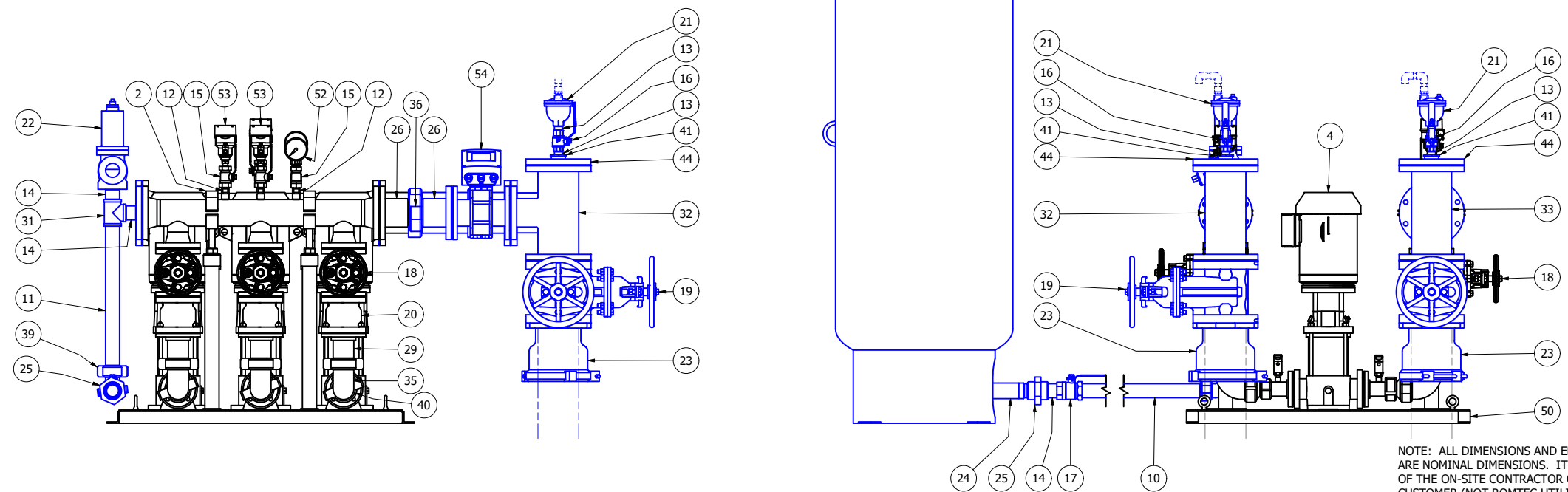
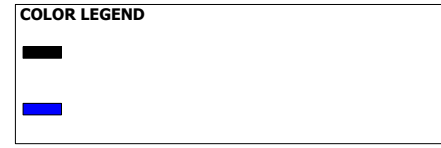
CANYON PARK IMPROVEMENTS
 MONROVIA, CA
BOOSTER PUMP STATION
SKID LAYOUT DRAWING

SHEET
M-01

FOR CONSTRUCTION



VIEW B-B
SCALE 1 / 12



NOTE: ALL DIMENSIONS AND ELEVATIONS SHOWN ARE NOMINAL DIMENSIONS. IT IS THE RESPONSIBILITY OF THE ON-SITE CONTRACTOR OR ROMTEC UTILITIES CUSTOMER (NOT ROMTEC UTILITIES) TO VERIFY THE ACCURACY OF ANY CRITICAL DIMENSIONS OR ELEVATIONS PRIOR TO SETTING OR INSTALLING ANY EQUIPMENT.



© 2022 ROMTEC INC. ALL RIGHTS RESERVED. THESE PLANS AND DRAWINGS MAY NOT BE REPRODUCED, ADAPTED, OR FURTHER DISTRIBUTED, AND NO COMPONENTS MAY BE CONSTRUCTED FROM THESE PLANS, WITHOUT WRITTEN PERMISSION OF ROMTEC, INC.

REV	DATE	DESCRIPTION	BY
3	6/18/2024	BLUE & BLACK FOR CONSTRUCTION	CC
2	5/14/24	LAUNCH DOCS	RD
1	4/12/2024	SSDS	RD
0	8/24/23	INITIAL DESIGN	RD

VERIFY SCALE
 0 1" = 12'-0"
 UNLESS OTHERWISE NOTED
 ALL DIMENSIONS ARE IN FEET AND INCHES
 UNLESS OTHERWISE NOTED
 DATE: 5/14/24

ROMTEC UTILITIES
 18240 NORTH BANK ROAD
 ROSEBURG, OREGON 97470
 PHONE: (541) 496-9678
 WWW.ROMTECUTILITIES.COM

CANYON PARK IMPROVEMENTS
 MONROVIA, CA
BOOSTER PUMP STATION
COMPONENTS DRAWING

SHEET
M-02