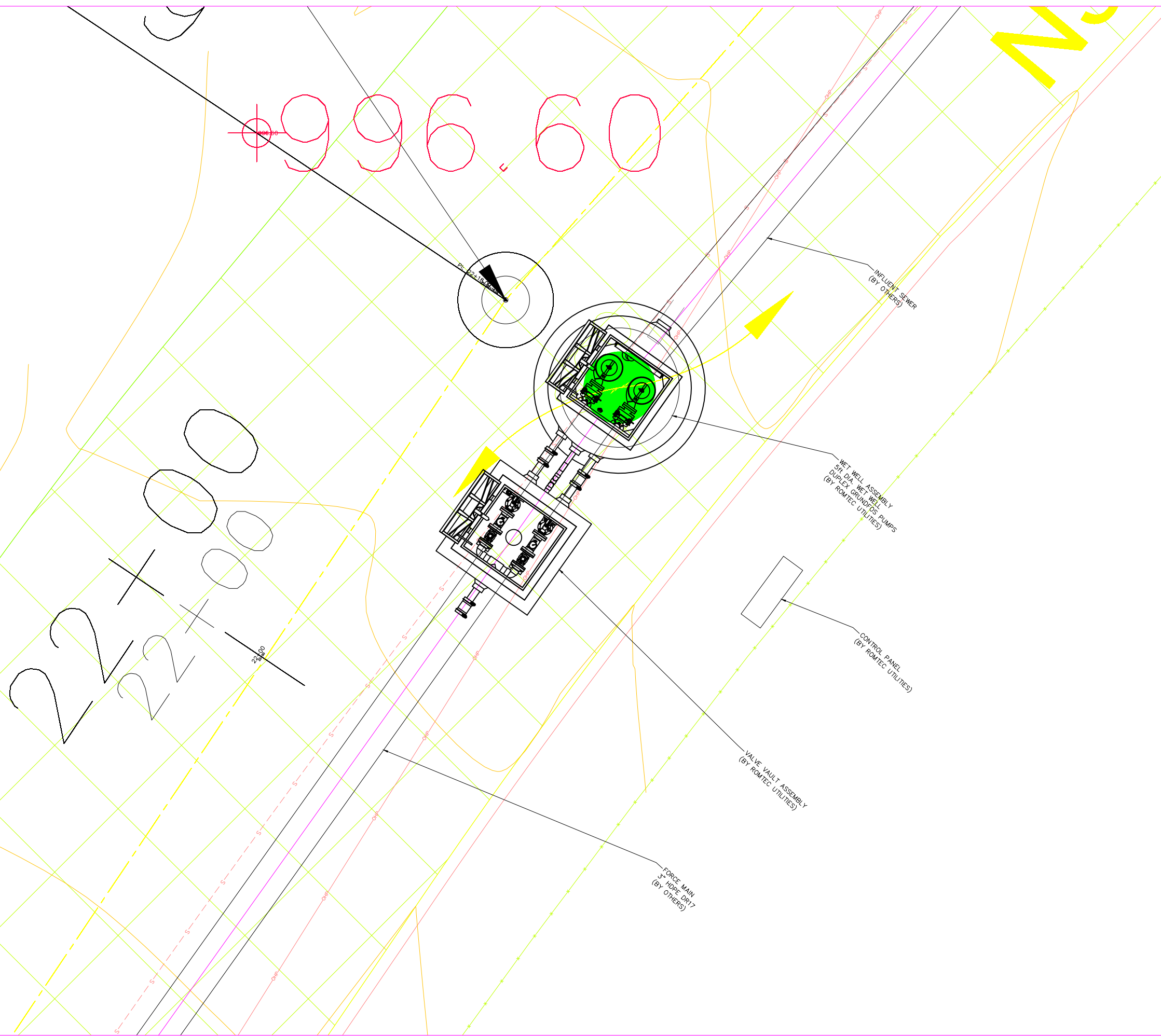


PRELIMINARY



© 2022 ROMTEC INC. ALL RIGHTS RESERVED. THESE PLANS AND DRAWINGS MAY NOT BE REPRODUCED, ADAPTED, OR FURTHER DISTRIBUTED, AND NO COMPONENTS MAY BE CONSTRUCTED FROM THESE PLANS, WITHOUT WRITTEN PERMISSION OF ROMTEC, INC.

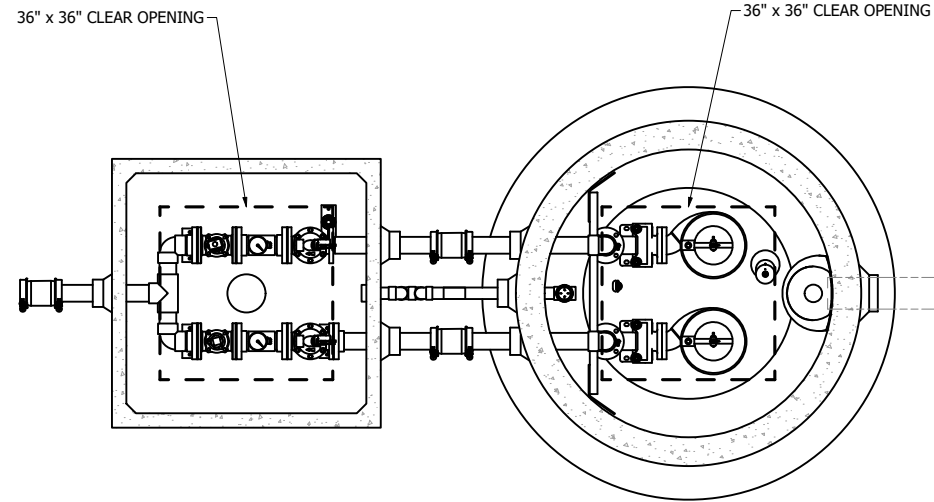
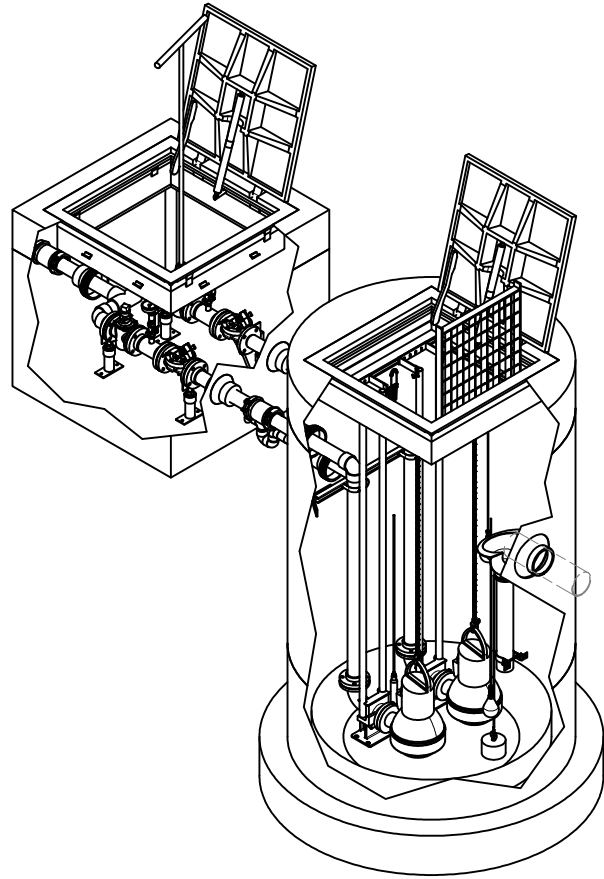
REV	DATE	DESCRIPTION	BY

VERIFY SCALE  
 0 1"  
 DSIN: KB  
 DRIN: KB  
 CKD:  
 DATE: 7-24-23

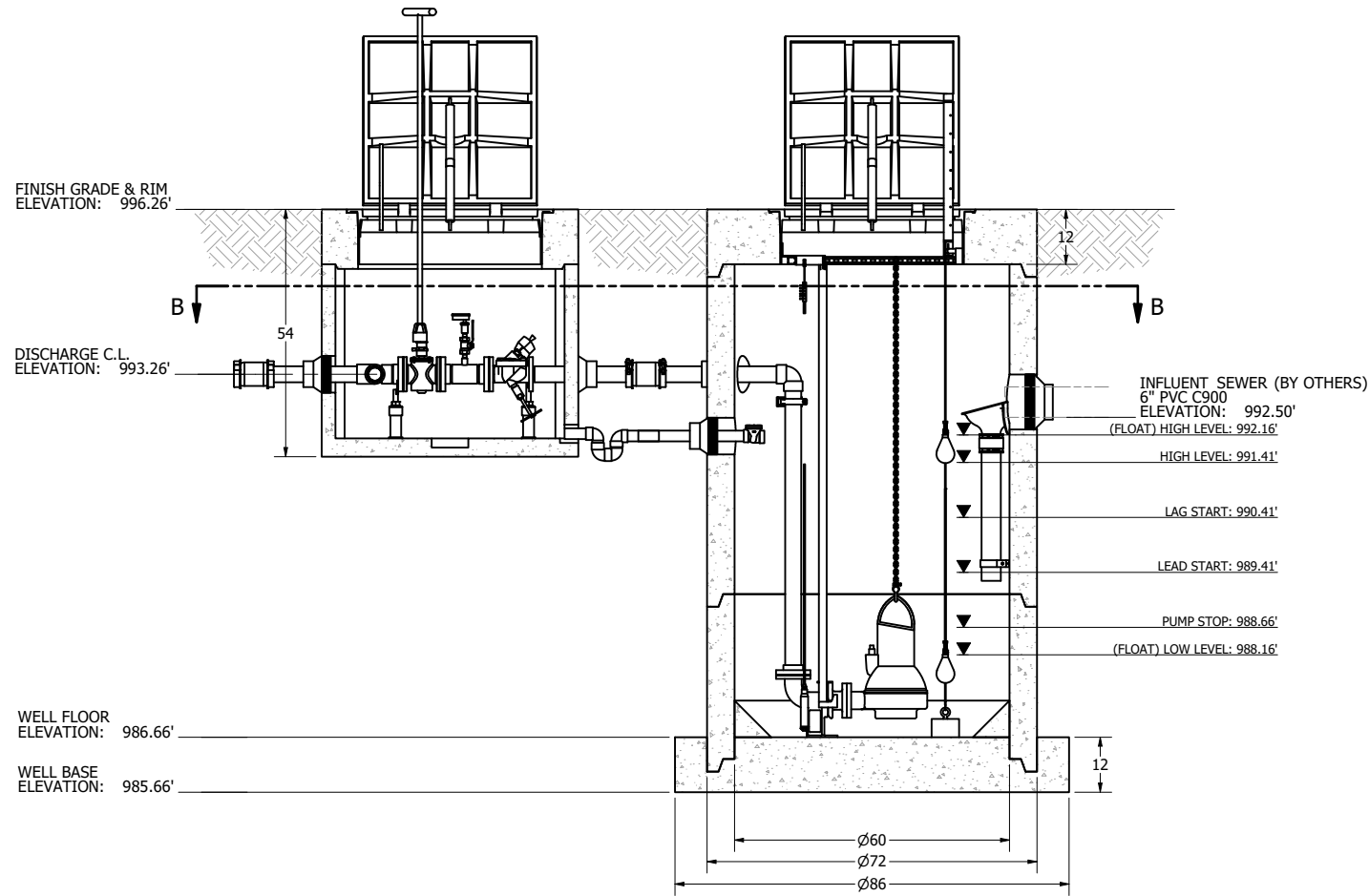
**ROMTEC UTILITIES**  
 18240 NORTH BANK ROAD  
 ROSEBURG, OREGON 97470  
 PHONE: (541) 496-9678  
 WWW.ROMTECUTILITIES.COM

CANYON PARK IMPROVEMENTS  
 MONROVIA, CA  
 WASTEWATER PUMP STATION  
 LAYOUT DRAWING

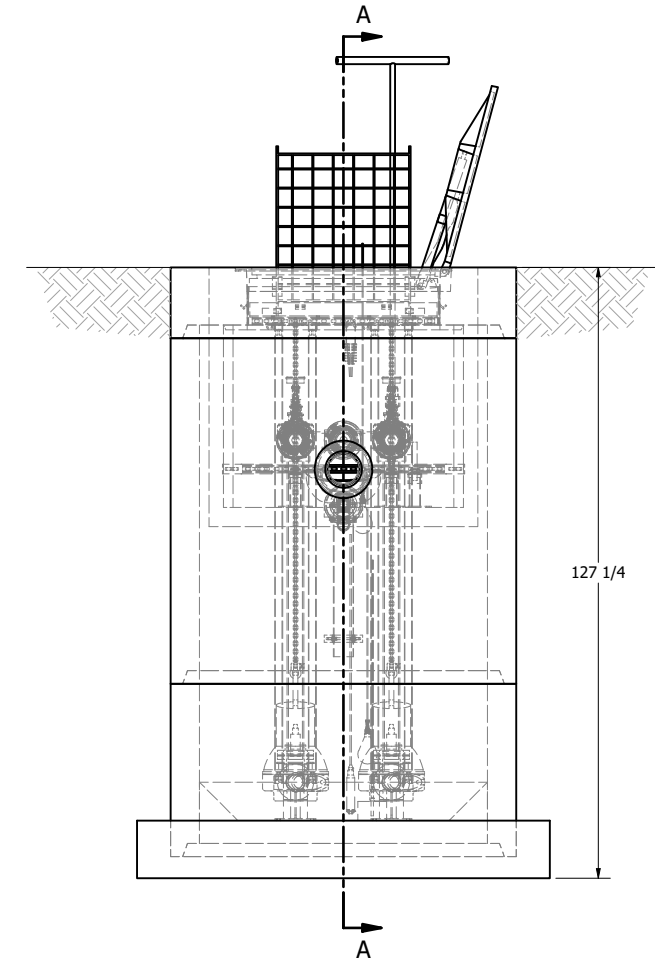
SHEET  
 C-01



SECTION B-B  
SCALE 1 / 20



SECTION A-A  
SCALE 1 / 20



© 2022 ROMTEC INC. ALL RIGHTS RESERVED.  
THESE PLANS AND DRAWINGS MAY NOT BE  
REPRODUCED, ADAPTED, OR FURTHER  
DISTRIBUTED, AND NO COMPONENTS MAY BE  
CONSTRUCTED FROM THESE PLANS, WITHOUT  
WRITTEN PERMISSION OF ROMTEC, INC.

REV	DATE	DESCRIPTION	BY
4	6/26/2024	BLUE & BLACK FOR CONSTRUCTION	CC
2	5/7/2024	LAUNCH	CC
1	4/16/2024	UPDATE	CC
0	8/25/23	INITIAL DESIGN	RD

VERIFY SCALE  
DRAWING PER  
SCALE ONLY  
DO NOT SCALE  
DIMENSIONS  
0 1"

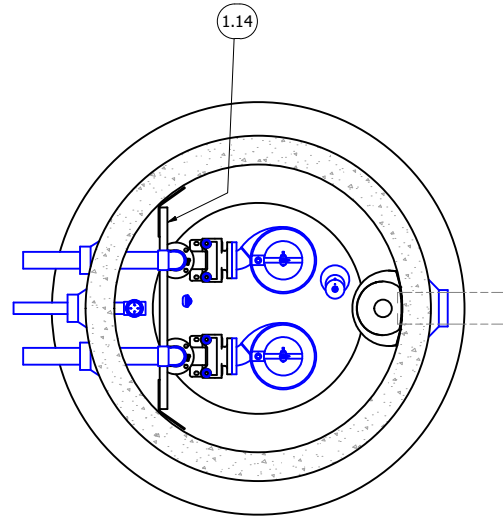
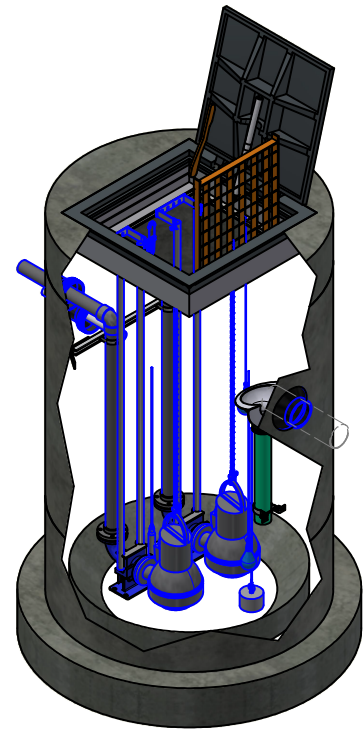
DATE: 7-24-23

**ROMTEC UTILITIES**  
18240 NORTH BANK ROAD  
ROSEBURG, OREGON 97470  
PHONE: (541) 496-9678  
WWW.ROMTECUTILITIES.COM

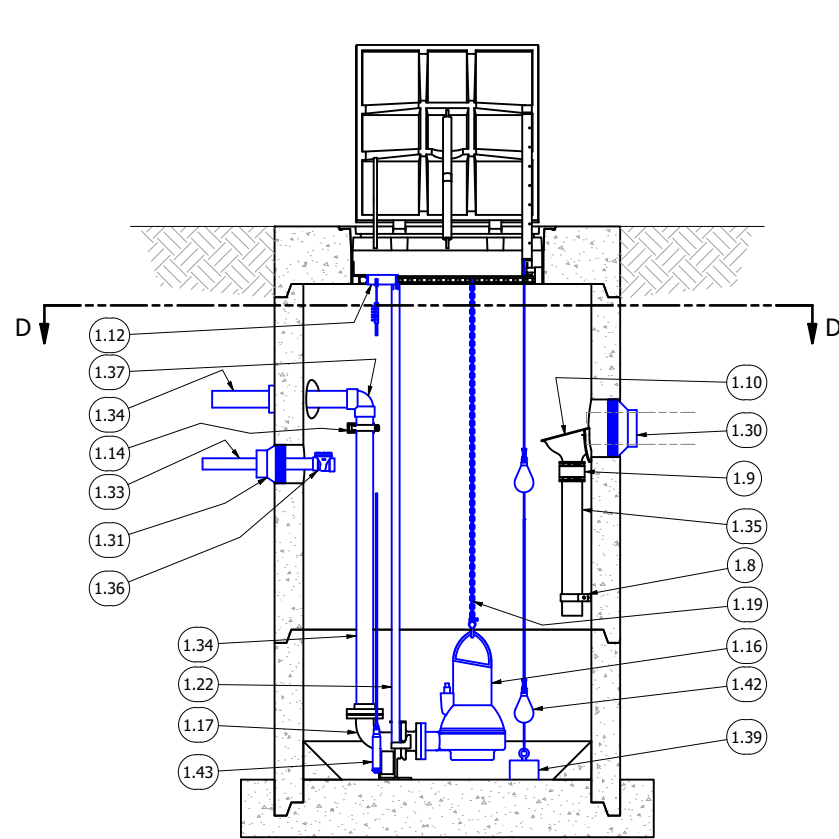
CANYON PARK IMPROVEMENTS  
MONROVIA, CA  
WASTEWATER PUMP STATION  
SYSTEM DRAWING

SHEET  
M-01

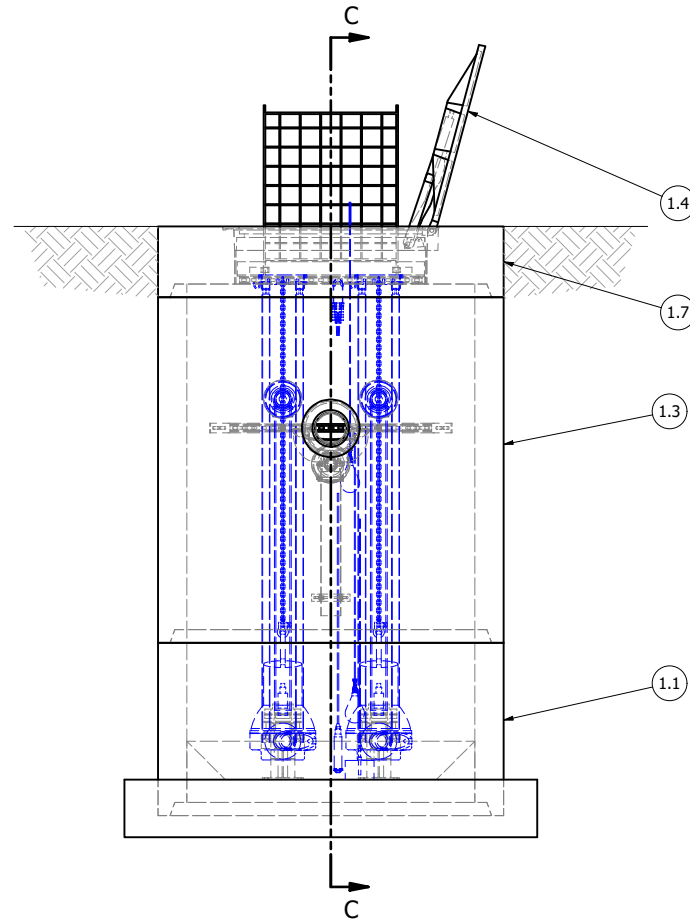
**FOR CONSTRUCTION**



SECTION D-D  
SCALE 1 / 20



SECTION C-C  
SCALE 1 / 20



© 2022 ROMTEC INC. ALL RIGHTS RESERVED.  
THESE PLANS AND DRAWINGS MAY NOT BE  
REPRODUCED, ADAPTED, OR FURTHER  
DISTRIBUTED, AND NO COMPONENTS MAY BE  
CONSTRUCTED FROM THESE PLANS, WITHOUT  
WRITTEN PERMISSION OF ROMTEC, INC.

REV	DATE	DESCRIPTION	BY
4	6/26/2024	BLUE & BLACK FOR CONSTRUCTION	CC
2	5/7/2024	LAUNCH	CC
1	4/16/2024	UPDATE	CC
0	8/25/23	INITIAL DESIGN	RD

VERIFY SCALE  
 DIMENSIONS SHOWN  
 UNLESS OTHERWISE NOTED  
 SHALL GOVERN OVER  
 DIMENSIONS INDICATED  
 ON THESE DRAWINGS

0 1"

DSN: KB  
 DRN: CC  
 CKD:

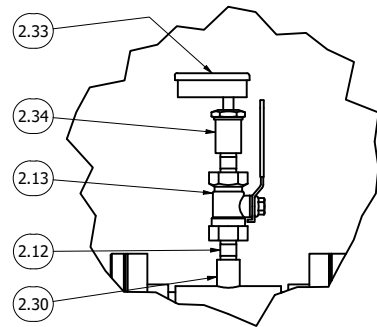
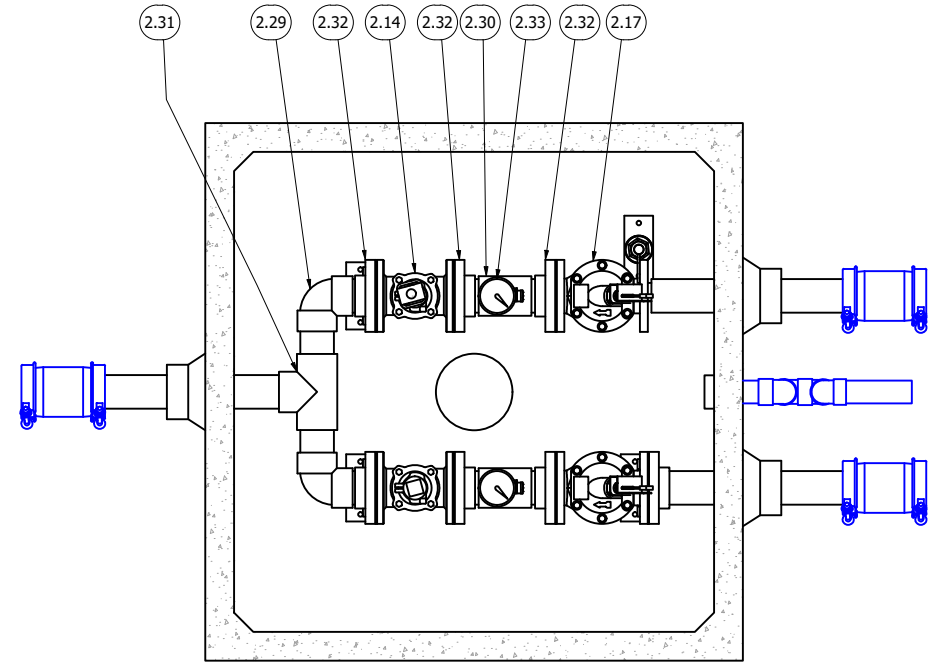
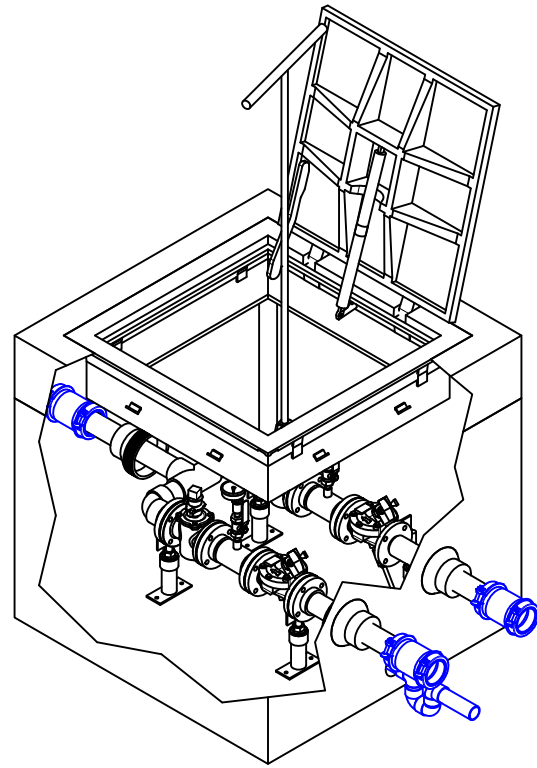
DATE: 5/7/2024

**ROMTEC UTILITIES**  
 18240 NORTH BANK ROAD  
 ROSEBURG, OREGON 97470  
 PHONE: (541) 496-9678  
 WWW.ROMTECUTILITIES.COM

CANYON PARK IMPROVEMENTS  
 MONROVIA, CA  
 WASTEWATER PUMP STATION  
 WET WELL COMPONENT DRAWING

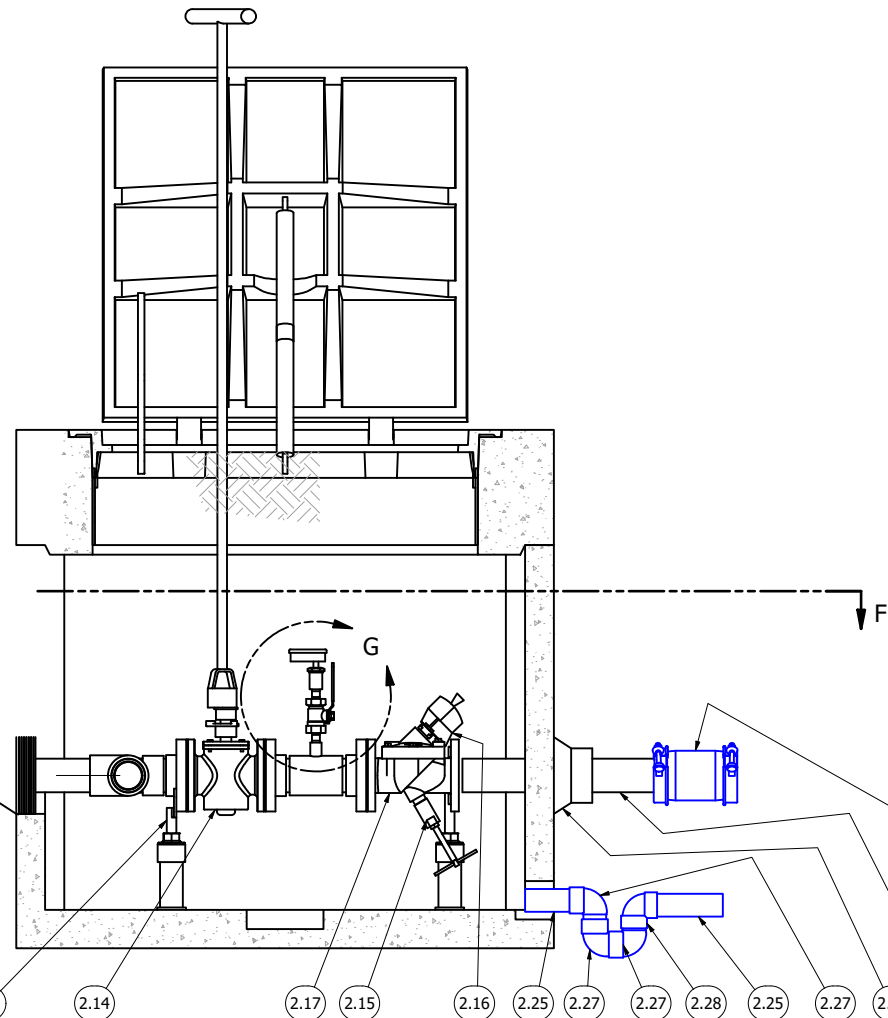
SHEET  
 M-02

**FOR CONSTRUCTION**

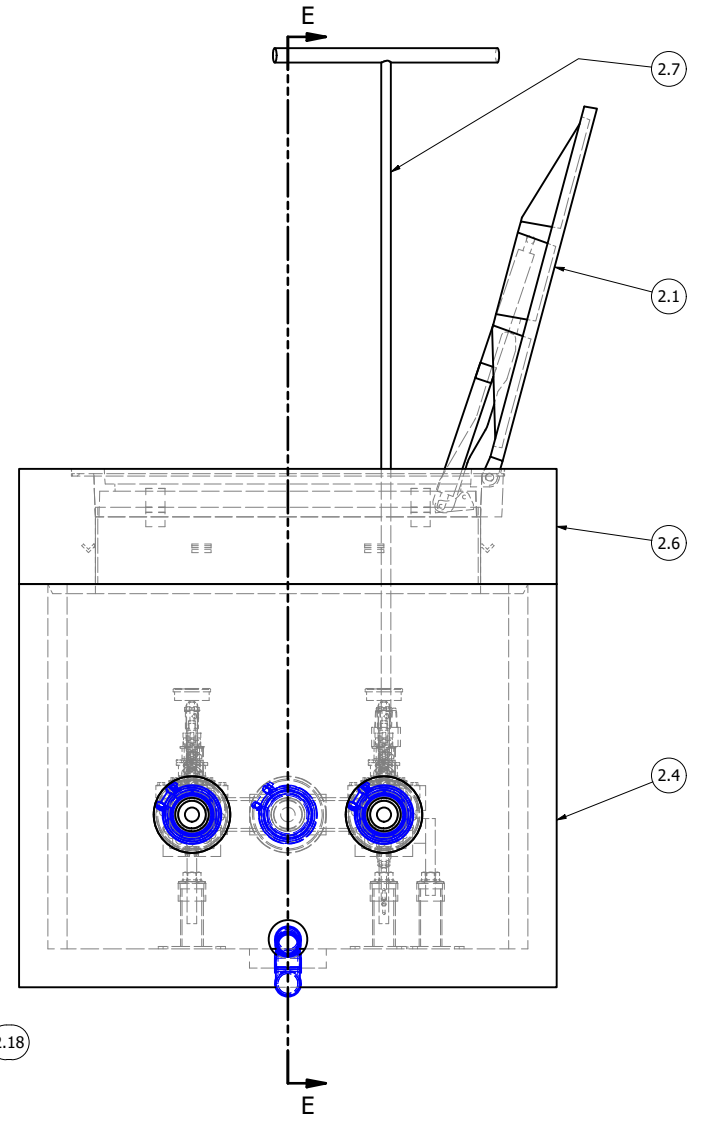


DETAIL G  
SCALE 1 / 5

SECTION F-F  
SCALE 1 / 10



SECTION E-E  
SCALE 1 / 10



© 2022 ROMTEC INC. ALL RIGHTS RESERVED.  
THESE PLANS AND DRAWINGS MAY NOT BE  
REPRODUCED, ADAPTED, OR FURTHER  
DISTRIBUTED, AND NO COMPONENTS MAY BE  
CONSTRUCTED FROM THESE PLANS, WITHOUT  
WRITTEN PERMISSION OF ROMTEC, INC.

REV	DATE	DESCRIPTION	BY
4	6/26/2024	BLUE & BLACK FOR CONSTRUCTION	CC
2	5/7/2024	LAUNCH	CC
1	4/16/2024	UPDATE	CC
0	8/25/23	INITIAL DESIGN	RD

VERIFY SCALE  
DRAWING TO BE  
CONSTRUCTED FROM  
THIS SCALE ONLY  
DO NOT SCALE  
DIMENSIONS  
DATE: 5/7/2024



CANYON PARK IMPROVEMENTS  
MONROVIA, CA  
WASTEWATER PUMP STATION  
VALVE VAULT COMPONENT DRAWING

SHEET  
M-03