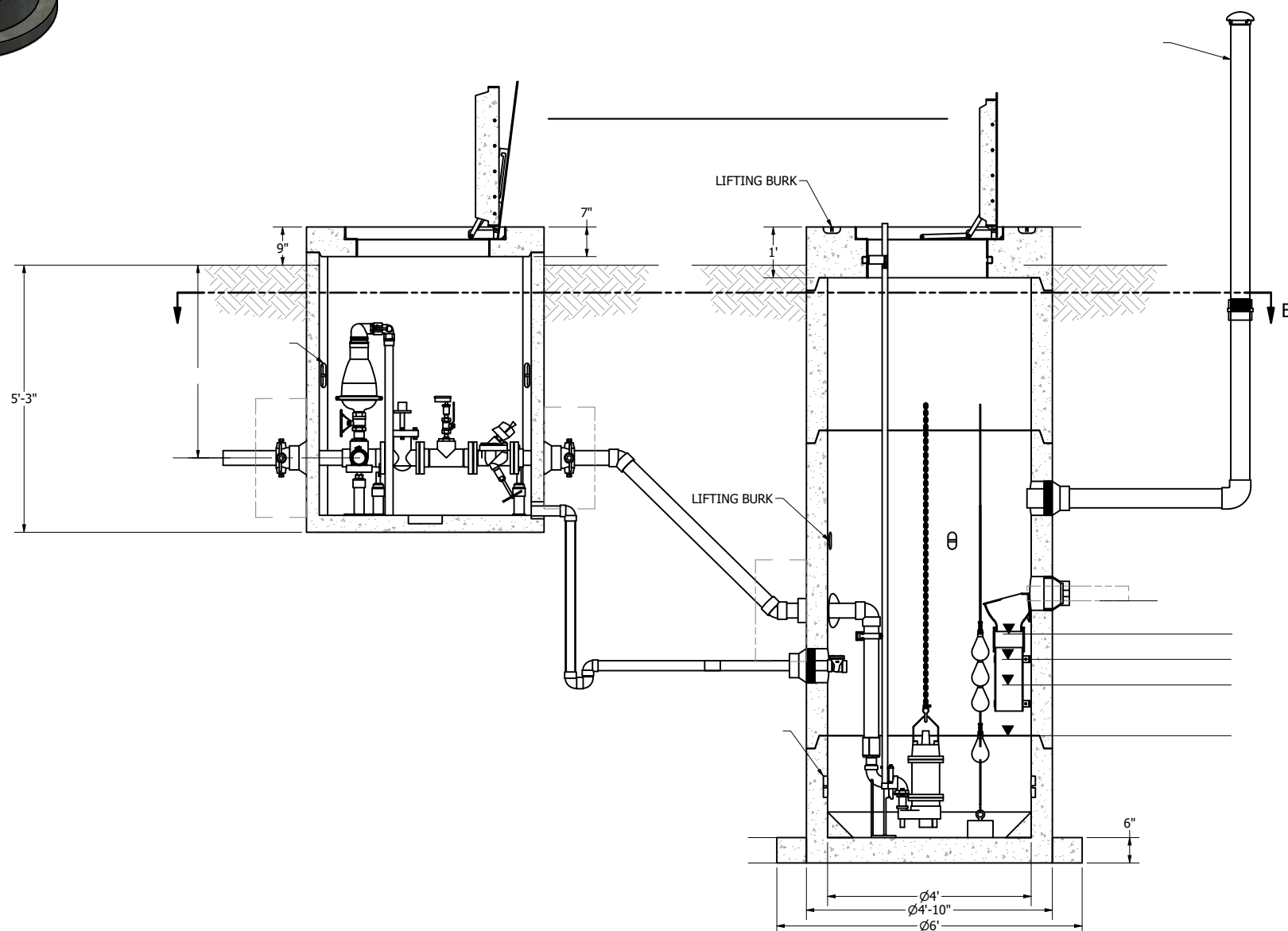
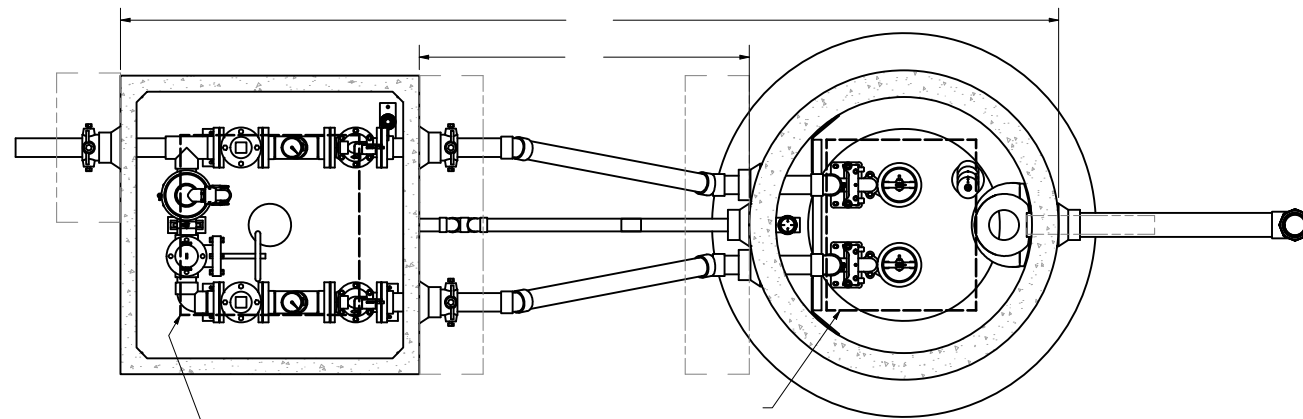
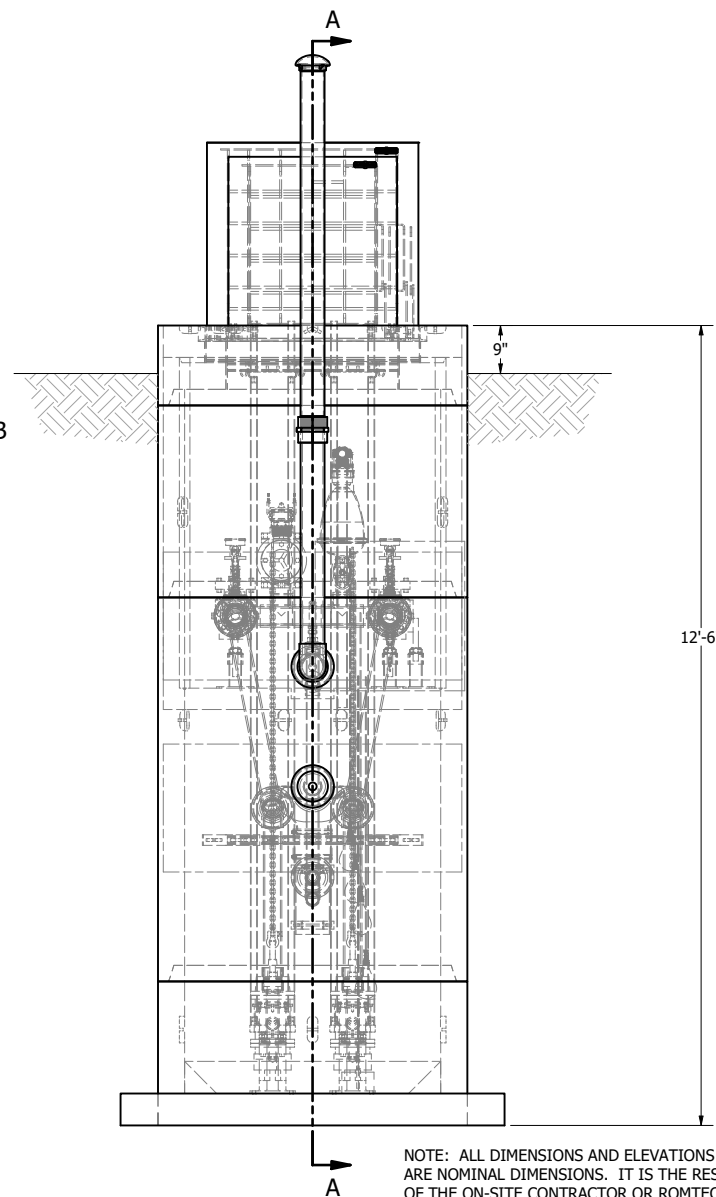


SIZE: 3"  
TYPE:



SECTION A-A  
SCALE 1 / 18



NOTE: ALL DIMENSIONS AND ELEVATIONS SHOWN ARE NOMINAL DIMENSIONS. IT IS THE RESPONSIBILITY OF THE ON-SITE CONTRACTOR OR ROMTEC UTILITIES CUSTOMER (NOT ROMTEC UTILITIES) TO VERIFY THE ACCURACY OF ANY CRITICAL DIMENSIONS OR ELEVATIONS PRIOR TO SETTING OR INSTALLING ANY EQUIPMENT.



© 2022 ROMTEC INC. ALL RIGHTS RESERVED. THESE PLANS AND DRAWINGS MAY NOT BE REPRODUCED, ADAPTED, OR FURTHER DISTRIBUTED, AND NO COMPONENTS MAY BE CONSTRUCTED FROM THESE PLANS, WITHOUT WRITTEN PERMISSION OF ROMTEC, INC.

REV	DATE	DESCRIPTION	BY
6	4/28/25	INVERT DEPTH & SIZE FOR CONSTRUCTION	RD
5	12/23/24	GALV. VENT & PUMPING PORT	RD
4	12/3/24	LAUNCH DOCS	RD
3	11/21/24	PER COMMENTS	RD
2	10/22/24	INFLUENT INVERT SIZE	RD
1	10/3/24	DESCRIPTION	RD

VERIFY SCALE  
DRAWING PER  
SCALE (1" = 1')

0

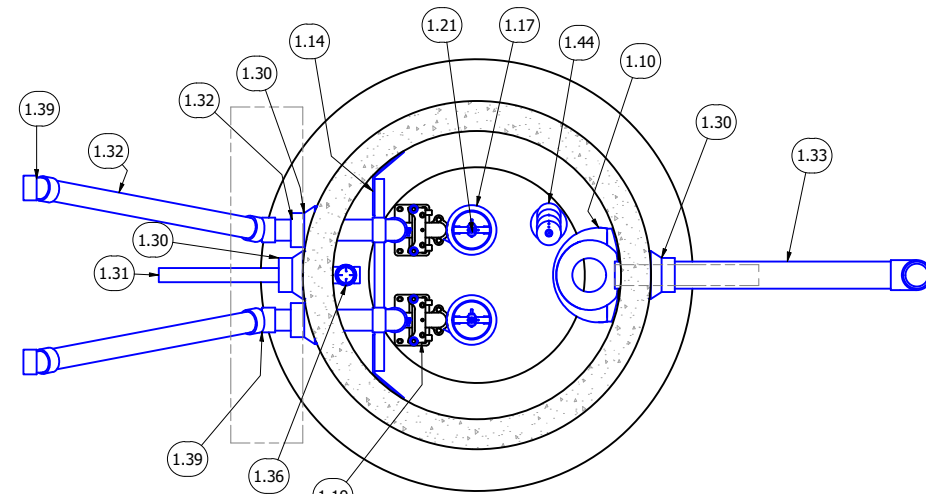
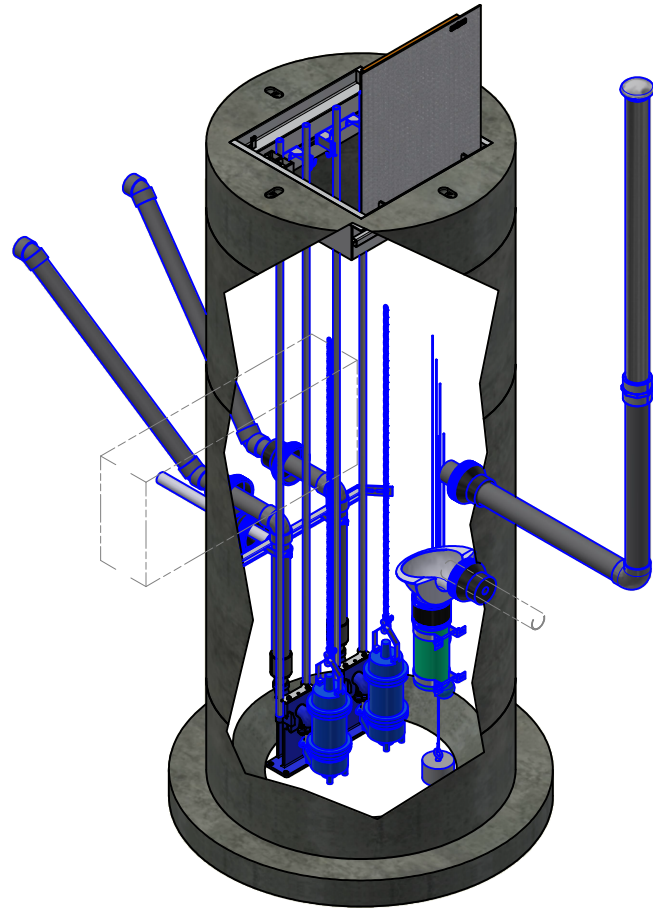
DATE: 8/16/24

DSN: RD  
DRN: RD  
CKD:

**ROMTEC UTILITIES**  
18240 NORTH BANK ROAD  
ROSEBURG, OREGON 97470  
PHONE: (541) 496-9678  
WWW.ROMTECUTILITIES.COM

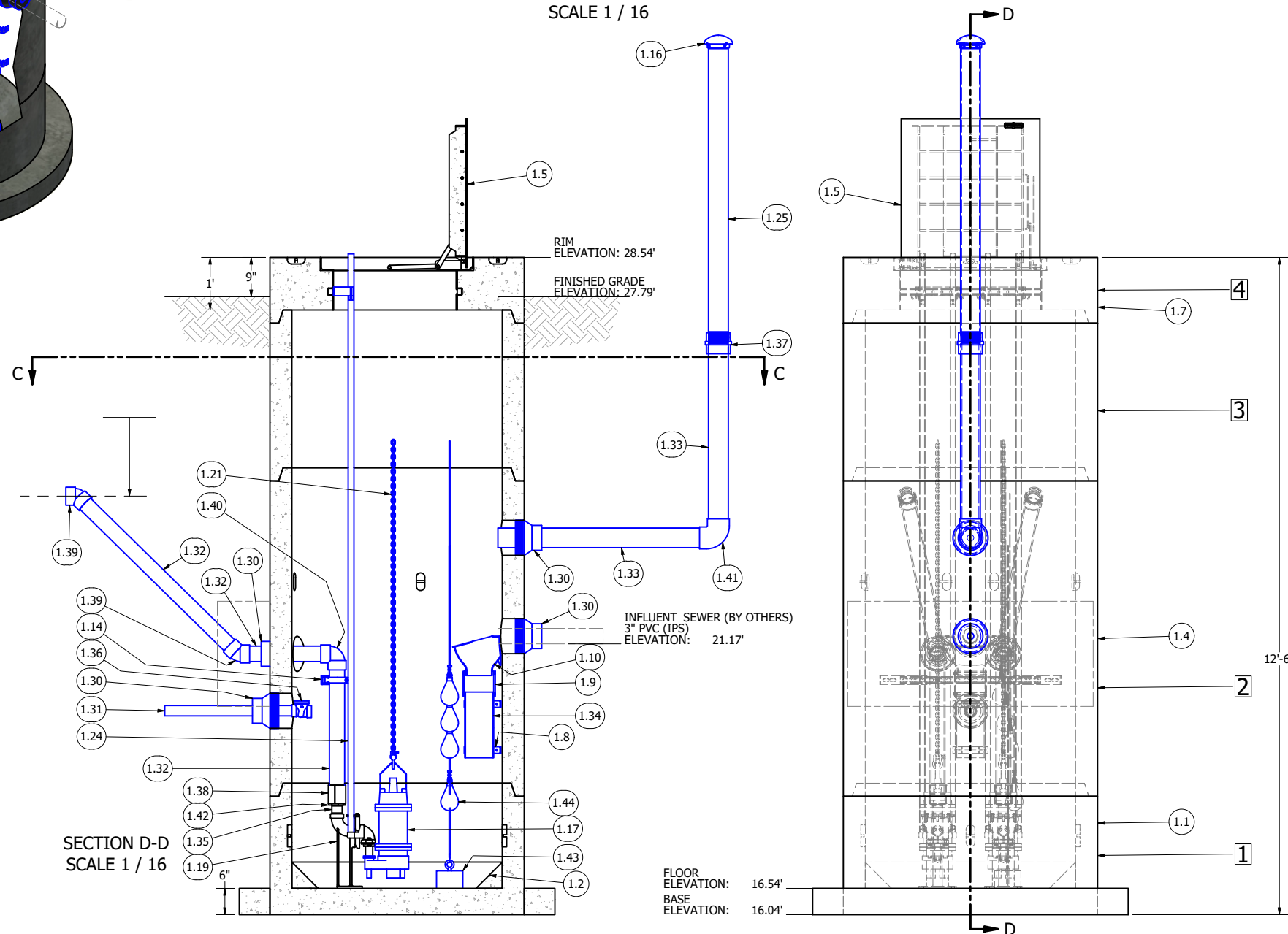
KETCHIKAN BACK ISLAND  
(AK)  
WASTEWATER PUMP STATION  
SYSTEM DRAWING

SHEET  
M-01



SECTION C-C  
SCALE 1 / 16

**COLOR LEGEND**

SECTION D-D  
SCALE 1 / 16

FLOOR ELEVATION: 16.54'  
BASE ELEVATION: 16.04'

REV	DATE	DESCRIPTION
1	10/22/24	INFLUENT INVERT SIZE
2	10/22/24	PER COMMENTS
3	11/21/24	LAUNCH DOCS
4	12/3/24	GALV. VENT & PUMPING PORT
5	12/23/24	FOR CONSTRUCTION
6	4/28/25	INVERT DEPTH & SIZE

VERIFY SCALE  
DRAWING SIZE: 11" x 17"  
PLOT SCALE: 1" = 12'-0"

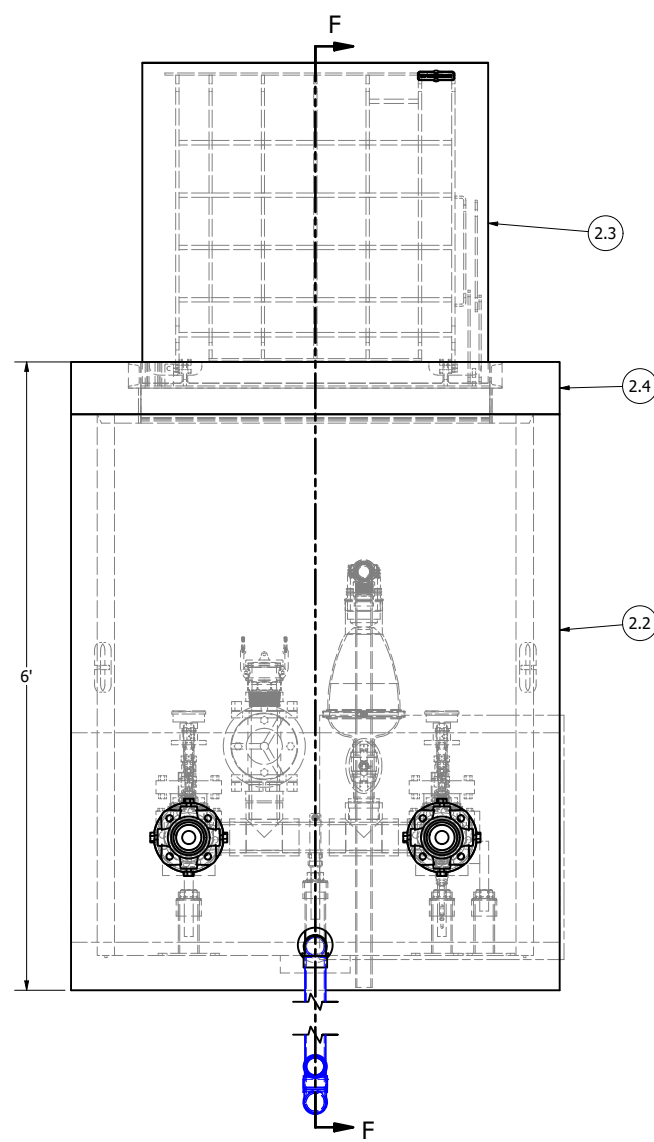
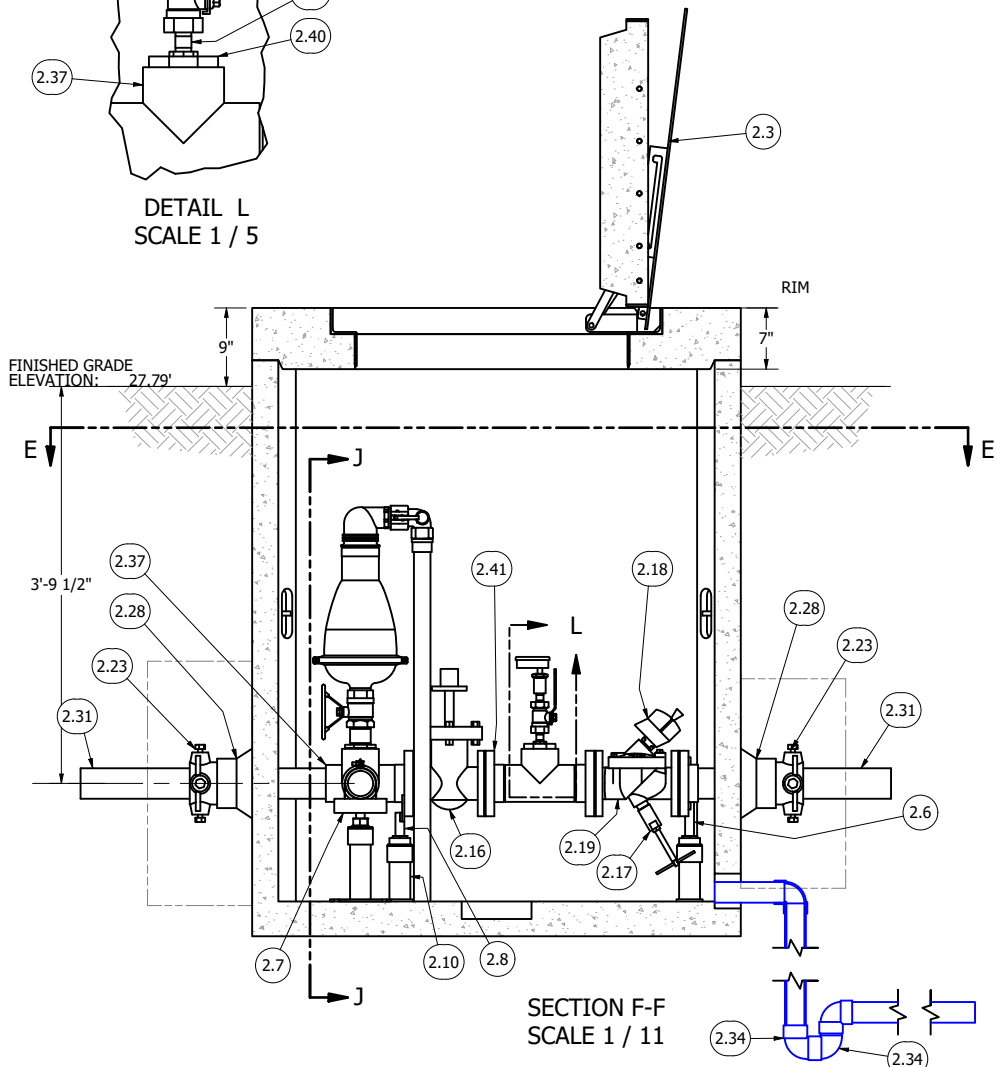
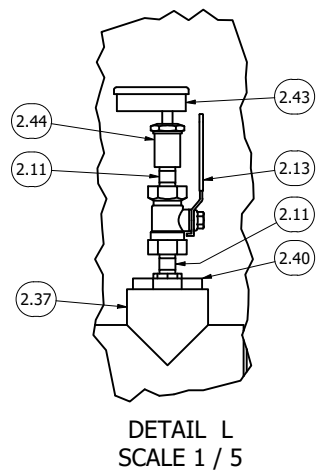
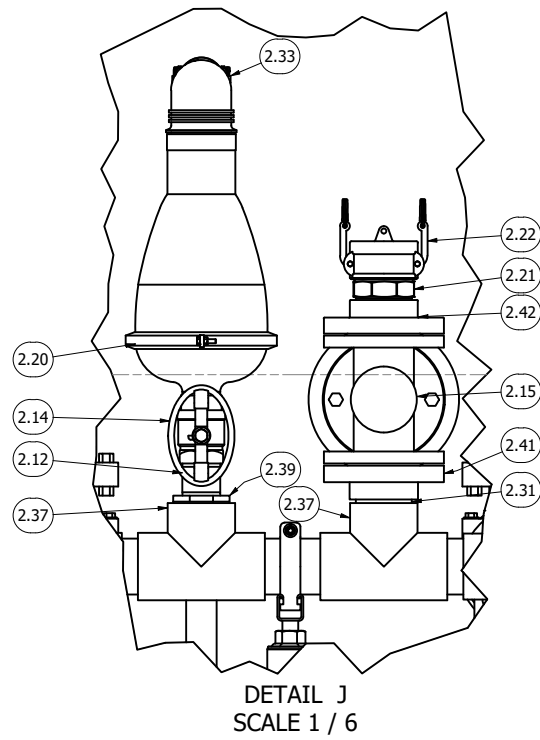
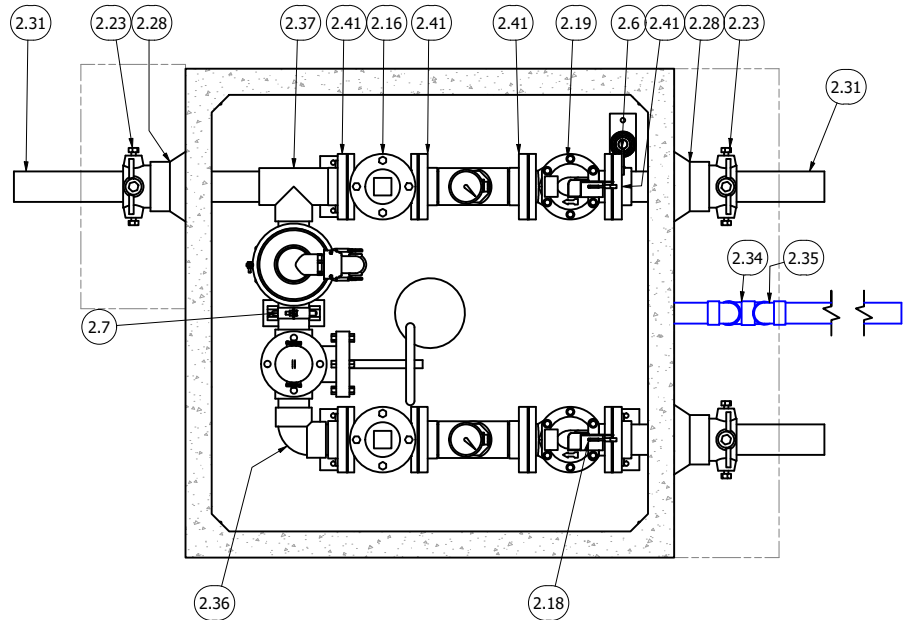
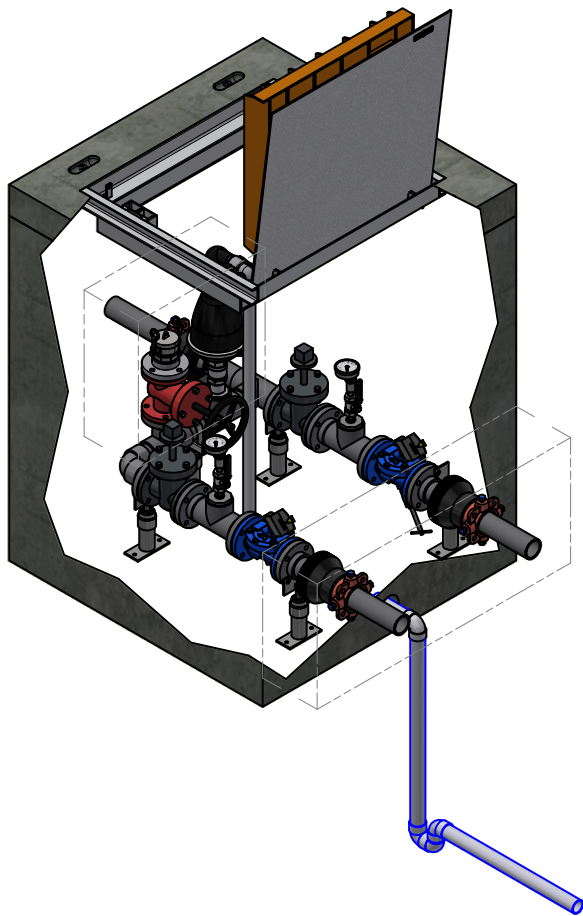
DATE: 8/16/24

**ROMTEC UTILITIES**  
18240 NORTH BANK ROAD  
ROSEBURG, OREGON 97470  
PHONE: (541) 496-9678  
WWW.ROMTECUTILITIES.COM

KETCHIKAN BACK ISLAND (AK)  
WASTEWATER PUMP STATION  
VALVE VAULT COMPONENT DRAWING



© 2022 ROMTEC INC. ALL RIGHTS RESERVED. THESE PLANS AND DRAWINGS MAY NOT BE REPRODUCED, ADAPTED, OR FURTHER DISTRIBUTED, AND NO COMPONENTS MAY BE CONSTRUCTED FROM THESE PLANS, WITHOUT WRITTEN PERMISSION OF ROMTEC, INC.



**COLOR LEGEND**



© 2022 ROMTEC INC. ALL RIGHTS RESERVED. THESE PLANS AND DRAWINGS MAY NOT BE REPRODUCED, ADAPTED, OR FURTHER DISTRIBUTED, AND NO COMPONENTS MAY BE CONSTRUCTED FROM THESE PLANS, WITHOUT WRITTEN PERMISSION OF ROMTEC, INC.

REV	DATE	DESCRIPTION
6	4/28/25	INVERT DEPTH & SIZE FOR CONSTRUCTION
5	12/23/24	GALV. VENT & PUMPING PORT
4	12/3/24	LAUNCH DOCS
3	11/21/24	PER COMMENTS
2	10/22/24	INFLUENT INVERT SIZE
1	10/3/24	DESCRIPTION
BY		REVISION HISTORY

VERIFY SCALE  
 0 1" = 1'-0"  
 DSN: RD  
 DRN: RD  
 CKD:  
 DATE: 8/16/24

**ROMTEC UTILITIES**  
 18240 NORTH BANK ROAD  
 ROSEBURG, OREGON 97470  
 PHONE: (541) 496-9678  
 WWW.ROMTECUTILITIES.COM

KETCHIKAN BACK ISLAND (AK)  
 WASTEWATER PUMP STATION  
 VALVE VAULT COMPONENT DRAWING

SHEET  
 M-02