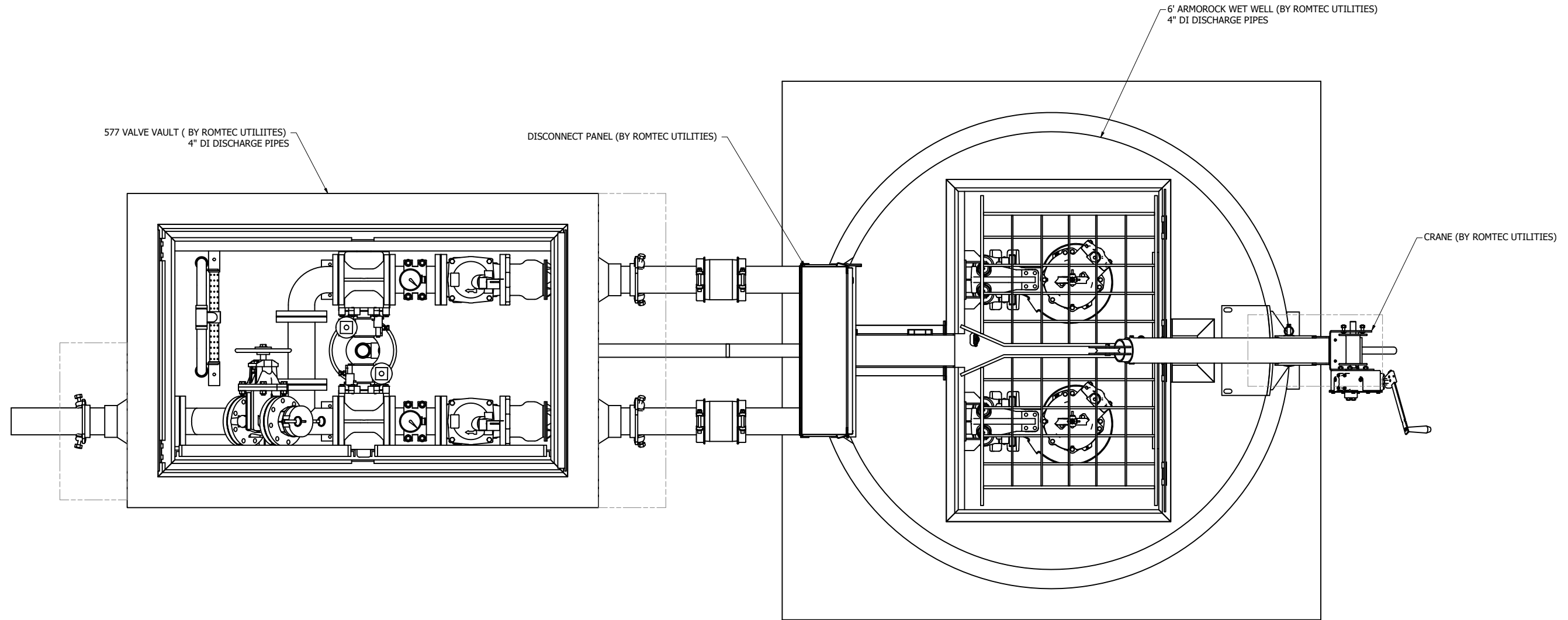


FOR DESIGN REVIEW



ALL MATERIALS SHOWN ON THIS SHEET WILL BE SUPPLIED BY ROMTEC UTILITIES AND DELIVERED TO THE SITE AFTER THE HOLE HAS BEEN EXCAVATED AND SHORED. THE CONTRACTOR SHALL SUPPLY A CRANE OF SUFFICIENT SIZE TO LOWER ALL THE CONCRETE PIECES INTO THE HOLE SAFELY. THE CONTRACTOR SHALL INSTALL THE WET WELL (AND VALVE VAULT AND METERING VAULT IF APPLICABLE). ROMTEC UTILITIES WILL PROVIDE A REPRESENTATIVE FOR TECHNICAL ASSISTANCE ON THE DAY OF INSTALLATION TO ANSWER ANY QUESTIONS THAT MAY ARISE. THE CONTRACTOR IS RESPONSIBLE FOR ALL PLUMBING AND ELECTRICAL CONNECTIONS AND INSTALLATION. ITEMS NOTED AS "BY OTHERS" WILL BE PROVIDED AND INSTALLED BY THE CONTRACTOR. ROMTEC UTILITIES WILL NOT INSTALL ANY OF THE COMPONENTS SHOWN ON THIS PAGE.



© 2021 ROMTEC INC. ALL RIGHTS RESERVED. THESE PLANS AND DRAWINGS MAY NOT BE REPRODUCED, ADAPTED, OR FURTHER DISTRIBUTED, AND NO COMPONENTS MAY BE CONSTRUCTED FROM THESE PLANS, WITHOUT WRITTEN PERMISSION OF ROMTEC, INC.

NOTE: ALL DIMENSIONS AND ELEVATIONS SHOWN ARE NOMINAL DIMENSIONS. IT IS THE RESPONSIBILITY OF THE ON-SITE CONTRACTOR OR ROMTEC UTILITIES CUSTOMER (NOT ROMTEC UTILITIES) TO VERIFY THE ACCURACY OF ANY CRITICAL DIMENSIONS OR ELEVATIONS PRIOR TO SETTING OR INSTALLING ANY EQUIPMENT.

FOR DESIGN REVIEW

REV	DATE	DESCRIPTION	BY
3	11/4/21	ARMOROCK BARRELS	RD
2	10/1/21	WET WELL DESCRIPTION	RD
1	9/27/2021	5 HP PUMP	KB
0	8/24/21	INITIAL DESIGN	RD
		DESCRIPTION	RD
		REVISION HISTORY	BY

VERIFY SCALE
 0 1"

 DSN: KB
 DRN: RD
 CKD: KB
 DATE: 10/1/21

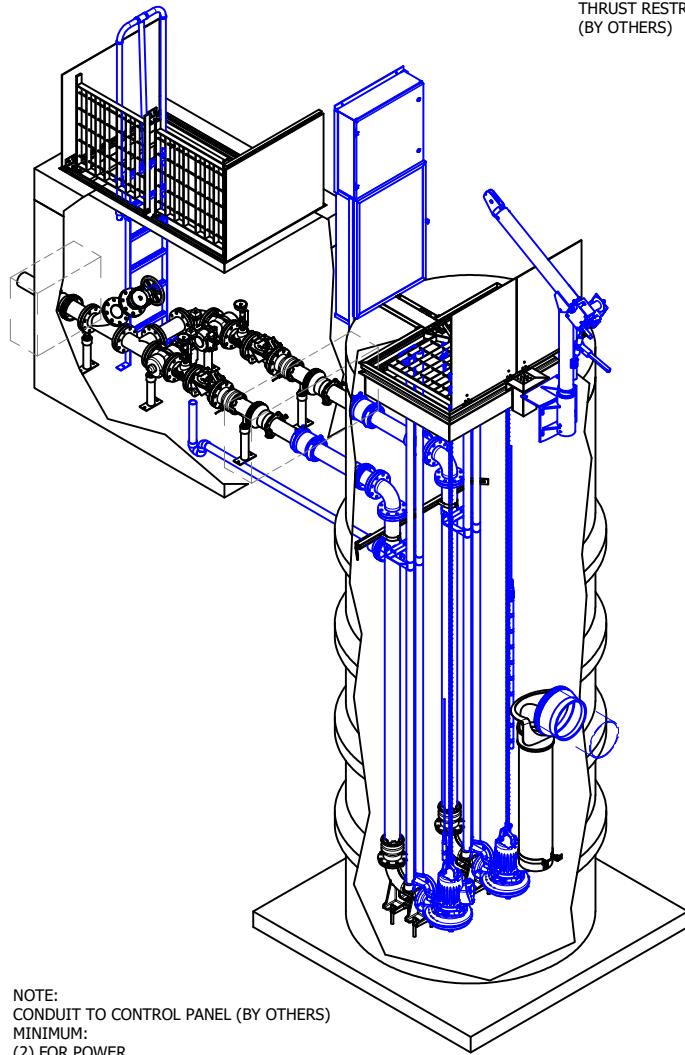
ROMTEC UTILITIES
 18240 NORTH BANK ROAD
 ROSEBURG, OREGON 97470
 PHONE: (541) 496-9678
 WWW.ROMTECUTILITIES.COM

CENTRAL VALLEY HWY
 SHAFER, CA
 WASTEWATER PUMP STATION
 LAYOUT DRAWING

FOR CONSTRUCTION

12" THICK CAST-IN-PLACE CONCRETE THRUST RESTRAINT COLLAR ON EACH END. (BY OTHERS)

FORCE MAIN (BY OTHERS)
SIZE: 4"
TYPE: PVC C900 DR18



ISO
SCALE 1 / 30

NOTE:
CONDUIT TO CONTROL PANEL (BY OTHERS)
MINIMUM:
(2) FOR POWER
(1) FOR LEVEL SENSING

ODOR CONTROL:
CITY OF SHAFTER TO PROVIDE.
SITE CONTRACTOR WILL PLUMB THE ODOR CONTROL TANK TO WET WELL.

NOTE: ALL DIMENSIONS AND ELEVATIONS SHOWN ARE NOMINAL DIMENSIONS. IT IS THE RESPONSIBILITY OF THE ON-SITE CONTRACTOR OR ROMTEC UTILITIES CUSTOMER (NOT ROMTEC UTILITIES) TO VERIFY THE ACCURACY OF ANY CRITICAL DIMENSIONS OR ELEVATIONS PRIOR TO SETTING OR INSTALLING ANY EQUIPMENT.

ALL MATERIALS SHOWN ON THIS SHEET WILL BE SUPPLIED BY ROMTEC UTILITIES AND DELIVERED TO THE SITE AFTER THE HOLE HAS BEEN EXCAVATED AND SHORED. THE CONTRACTOR SHALL SUPPLY A CRANE OF SUFFICIENT SIZE TO LOWER ALL THE CONCRETE PIECES INTO THE HOLE SAFELY. THE CONTRACTOR SHALL INSTALL THE WET WELL (AND VALVE VAULT AND METERING VAULT IF APPLICABLE). ROMTEC UTILITIES WILL PROVIDE A REPRESENTATIVE FOR TECHNICAL ASSISTANCE ON THE DAY OF INSTALLATION TO ANSWER ANY QUESTIONS THAT MAY ARISE. THE CONTRACTOR IS RESPONSIBLE FOR ALL PLUMBING AND ELECTRICAL CONNECTIONS AND INSTALLATION. ITEMS NOTED AS "BY OTHERS" WILL BE PROVIDED AND INSTALLED BY THE CONTRACTOR. ROMTEC UTILITIES WILL NOT INSTALL ANY OF THE COMPONENTS SHOWN ON THIS PAGE.

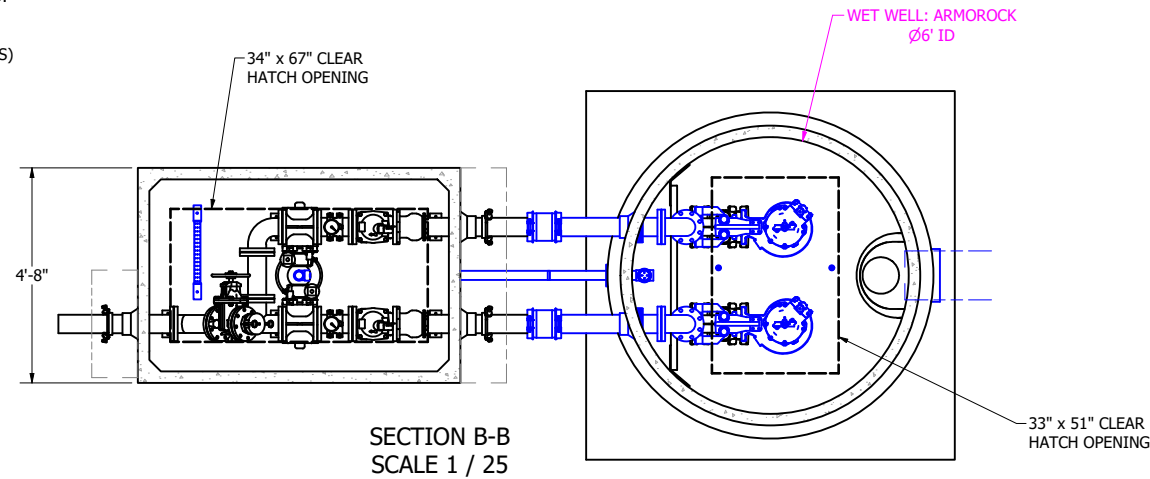


© 2021 ROMTEC INC. ALL RIGHTS RESERVED. THESE PLANS AND DRAWINGS MAY NOT BE REPRODUCED, ADAPTED, OR FURTHER DISTRIBUTED, AND NO COMPONENTS MAY BE CONSTRUCTED FROM THESE PLANS, WITHOUT WRITTEN PERMISSION OF ROMTEC, INC.

COLOR LEGEND

- MAJOR CONCRETE COMPONENTS WITH PRE-INSTALLED COMPONENTS.
- COMPONENTS PRE-ASSEMBLED TO THE EXTENT POSSIBLE AND WILL NEED TO BE FIELD INSTALLED.

NOTE: PRE-ASSEMBLY IS DONE AT ROMTEC UTILITIES' DISCRETION AND MAY CHANGE AT THE TIME OF PRODUCTION.



SECTION B-B
SCALE 1 / 25

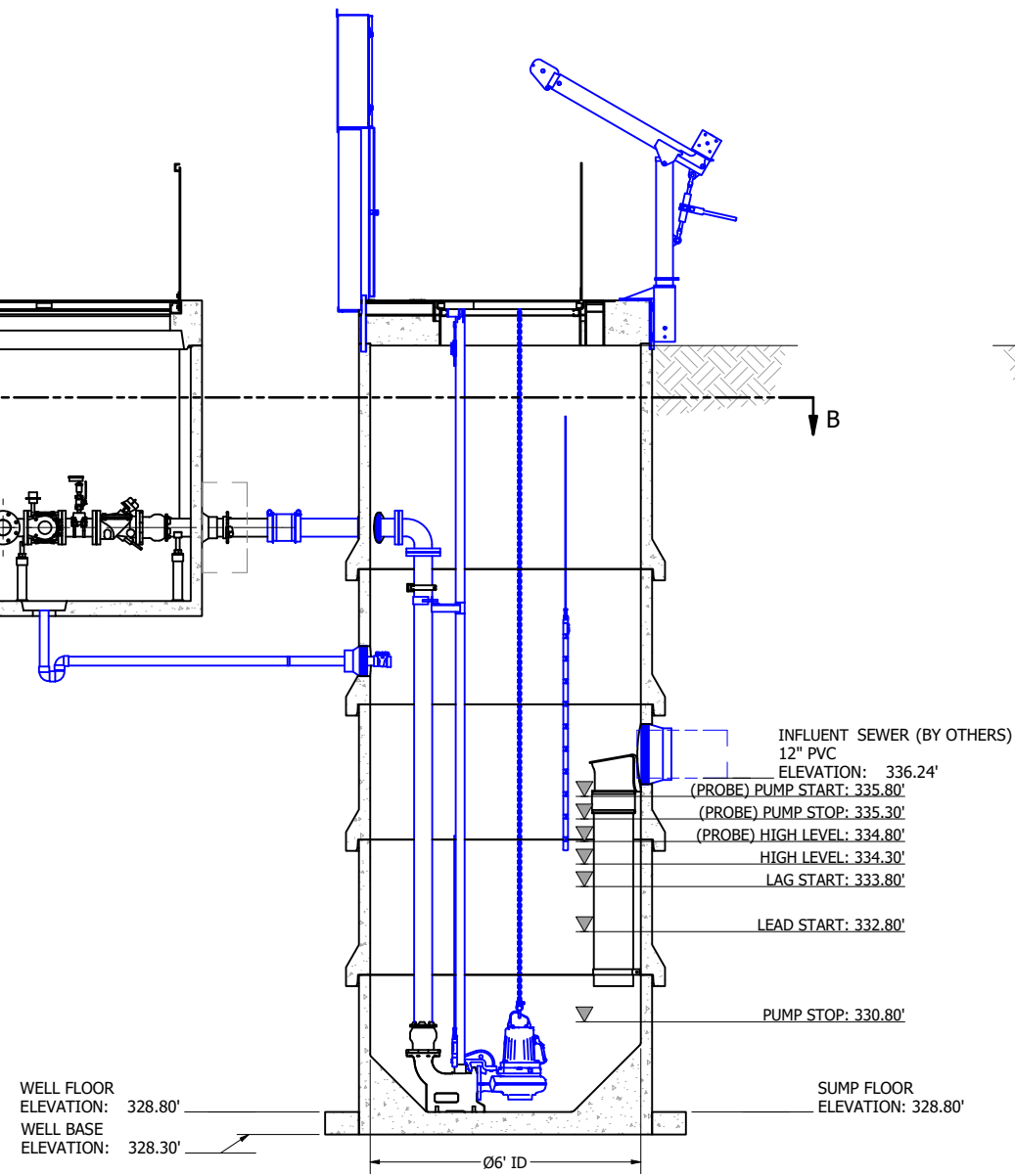
NOTE: TOP SLABS AND HATCHES ARE PEDESTRIAN RATED w/ SAFETY GRATES

RIM ELEVATION: 346.80'
FINISH GRADE ELEVATION: 345.80'

DISCHARGE C.L. ELEVATION: 341.76'

PRIMARY SENSOR ELEVATION TABLE		
DESCRIPTION	ELEVATION	Δ
INFLUENT INVERT	336.24	
HIGH LEVEL ALARM	334.60'	2.14'
LAG PUMP START	333.60'	0.5'
LEAD PUMP START	332.60'	1.00'
PUMP STOP	330.80'	1.80'
WELL FLOOR	328.80'	2.00'

MISC. ELEVATION TABLE		
DESCRIPTION	ELEVATION	
(3) BACKUP LAG START	335.60'	
(2) BACKUP LEAD START	335.10'	
(1) BACKUP PUMPS STOP	334.60'	



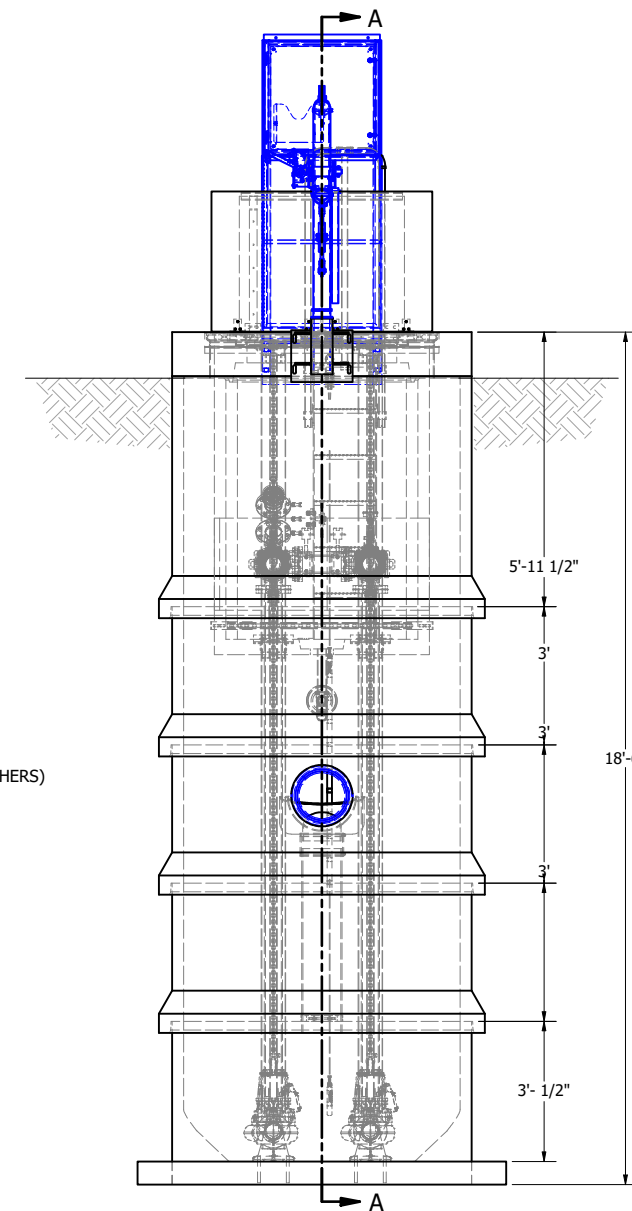
SECTION A-A
SCALE 1 / 25

PUMP PACKAGE

CONFIGURATION: DUPLEX
MODEL: FLYGT NP3102MT
HP: 5 HP
DUTY POINT: 276 GPM @ 25.7 TDH

FEATURES

- HATCH: PEDESTRIAN
- DISCHARGE PIPING: 4" DI
- PRIMARY LEVEL SENSING: PRESSURE TRANSDUCER
- BACKUP LEVEL SENSING: 10 PT. PROBE
- STAINLESS STEEL GUIDE RAILS
- QUICK CONNECT DISCHARGE ELBOWS
- DISCONNECT PANEL & STAND
- PIGGING PORT/PUMPING PORT
- FULL LENGTH 316SS CHAIN CRANE



FOR CONSTRUCTION

REV	DATE	DESCRIPTION	BY
3	11/4/21	ARMOROCK BARRELS	RD
2	10/1/21	WET WELL DESCRIPTION	RD
1	9/27/2021	5 HP PUMP	KB
0	8/24/21	INITIAL DESIGN	RD

VERIFY SCALE: 1" = 1'-0"

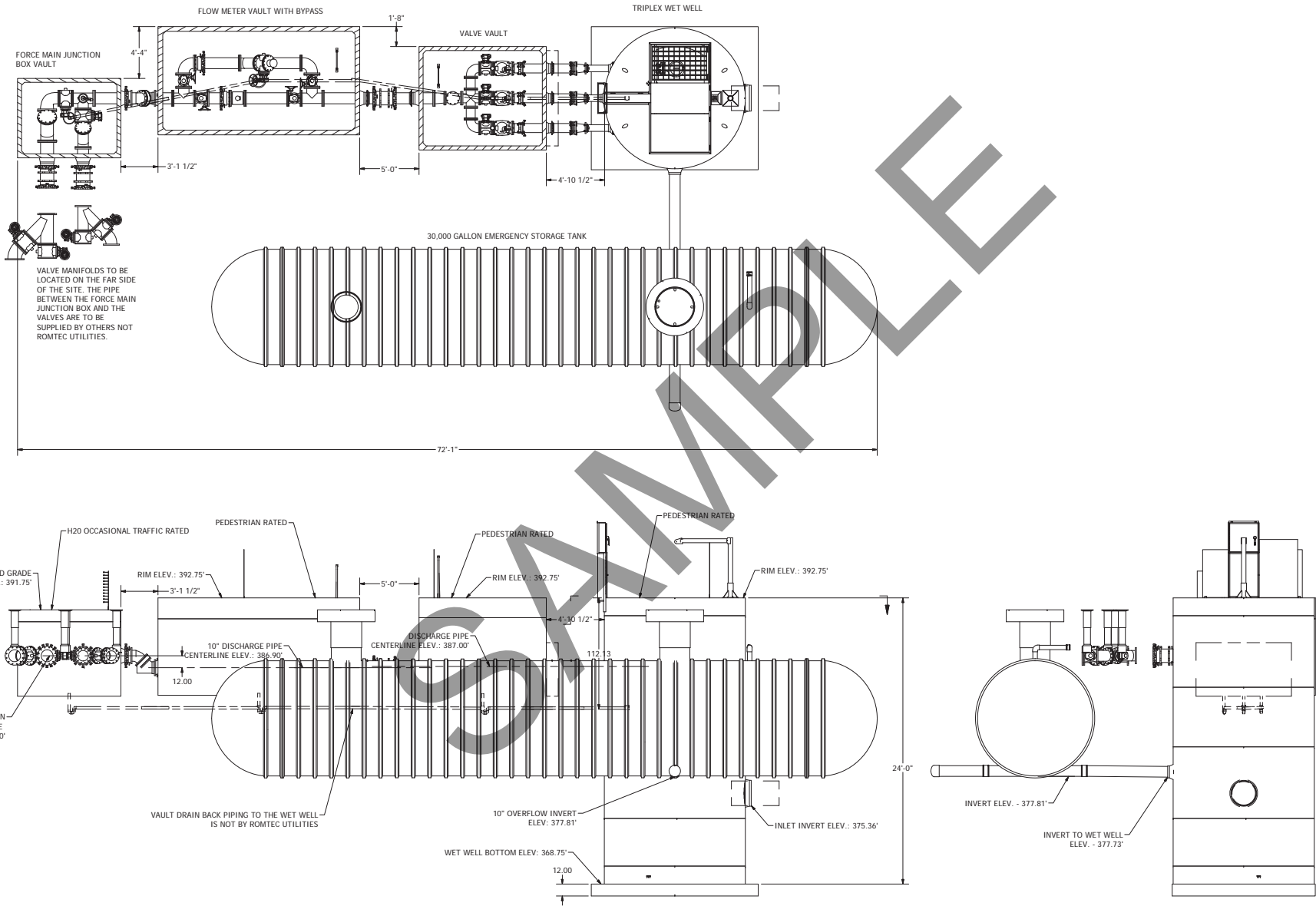
DATE: 10/1/21

DSN: KB
DRN: RD
CKD: KB

ROMTEC UTILITIES
18240 NORTH BANK ROAD
ROSEBURG, OREGON 97470
PHONE: (541) 496-9678
WWW.ROMTECUTILITIES.COM

CENTRAL VALLEY HWY
SHAFTER, CA
WASTEWATER PUMP STATION
SYSTEM DRAWING

© 2015 ROMTEC INC. ALL RIGHTS RESERVED. THESE PLANS AND DRAWINGS MAY NOT BE REPRODUCED, ADAPTED, OR FURTHER DISTRIBUTED, AND NO COMPONENTS MAY BE CONSTRUCTED FROM THESE PLANS, WITHOUT WRITTEN PERMISSION OF ROMTEC, INC.

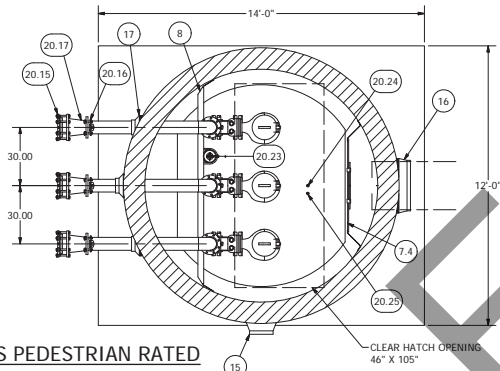
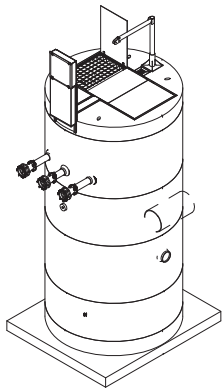


NO.	DATE	DESCRIPTION	BY	CHKD.	APP'D.
0	11-26-14	ISSUED FOR BIDDING	AS-BUILT	AD	AD
1	03-11-15	REVISED PER SITE LAYOUT AND ELEVATIONS	AS-BUILT	AD	AD
2	03-11-15	MOVED STORAGE TANK PIPE LOCATION	AS-BUILT	AD	AD
3	03-11-15	ADDED VALVE MANIFOLD	AS-BUILT	AD	AD
4	06-11-15	REVISED INLET ELEV. PER GRAVITY PIPE	AS-BUILT	AD	AD

ROMTEC UTILITIES
 18240 NORTH BANK ROAD
 ROSEBURG, OREGON 97470
 (541) 496-9678
 FAX (541) 496-0804

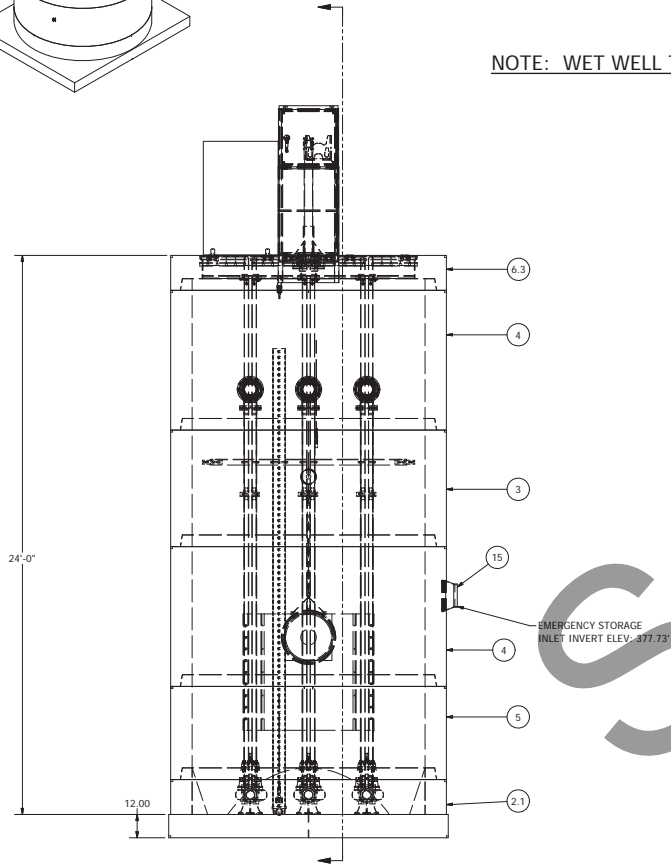
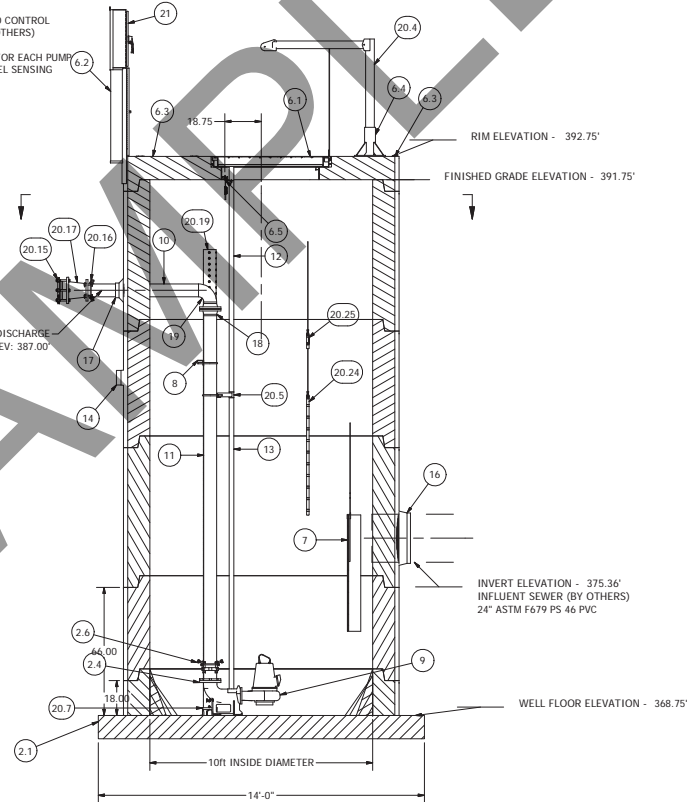
GOSSAMER GROVE
 LIFT STATION LAYOUT

SHEET
 1 OF 1
 JOB NUMBER
 RMTC
 0000



NOTE: WET WELL TOP SLAB IS PEDESTRIAN RATED

NOTE:
CONDUIT TO CONTROL
PANEL (BY OTHERS)
MINIMUM
(3) POWER FOR EACH PUMP
(1) FOR LEVEL SENSING



© 2015 ROMTEC INC. ALL RIGHTS RESERVED. THESE PLANS AND DRAWINGS MAY NOT BE REPRODUCED, ADAPTED, OR FURTHER DISTRIBUTED, AND NO COMPONENTS MAY BE CONSTRUCTED FROM THESE PLANS, WITHOUT WRITTEN PERMISSION OF ROMTEC, INC.

NOTE: ALL DIMENSIONS AND ELEVATIONS SHOWN ARE NOMINAL DIMENSIONS. IT IS THE RESPONSIBILITY OF THE ON-SITE CONTRACTOR OR ROMTEC UTILITIES CUSTOMER (NOT ROMTEC UTILITIES) TO VERIFY THE ACCURACY OF ANY CRITICAL DIMENSIONS OR ELEVATIONS PRIOR TO SETTING OR INSTALLING ANY EQUIPMENT.

ALL MATERIALS SHOWN ON THIS SHEET WILL BE SUPPLIED BY ROMTEC UTILITIES AND DELIVERED TO THE SITE AFTER THE HOLE HAS BEEN EXCAVATED AND SHORED. THE CONTRACTOR SHALL SUPPLY A CRANE OF SUFFICIENT SIZE TO LOWER ALL THE CONCRETE PIECES INTO THE HOLE SAFELY. THE CONTRACTOR SHALL INSTALL THE WET WELL (AND VALVE VAULT AND METERING VAULT IF APPLICABLE). ROMTEC UTILITIES WILL PROVIDE A REPRESENTATIVE FOR TECHNICAL ASSISTANCE ON THE DAY OF INSTALLATION TO ANSWER ANY QUESTIONS THAT MAY ARISE. THE CONTRACTOR IS RESPONSIBLE FOR ALL PLUMBING AND ELECTRICAL CONNECTIONS AND INSTALLATION. ITEMS NOTED AS "BY OTHERS" WILL BE PROVIDED AND INSTALLED BY THE CONTRACTOR. ROMTEC UTILITIES WILL NOT INSTALL ANY OF THE COMPONENTS SHOWN ON THIS PAGE.

NO.	DATE	DESCRIPTION	BY	DATE	APPROVED
4	6-4-15	REVISED INLET PIPE PER AS BUILT	AD		
3	3-13-15	REVISED FOR PRE LAUNCH	AD		
2	3-3-15	REVISED PER NEW ELEVATIONS	AD		
1		ADDED EMERGENCY STORAGE INLET INVERT	AD		
REV		DESCRIPTION		DATE	APPROVED

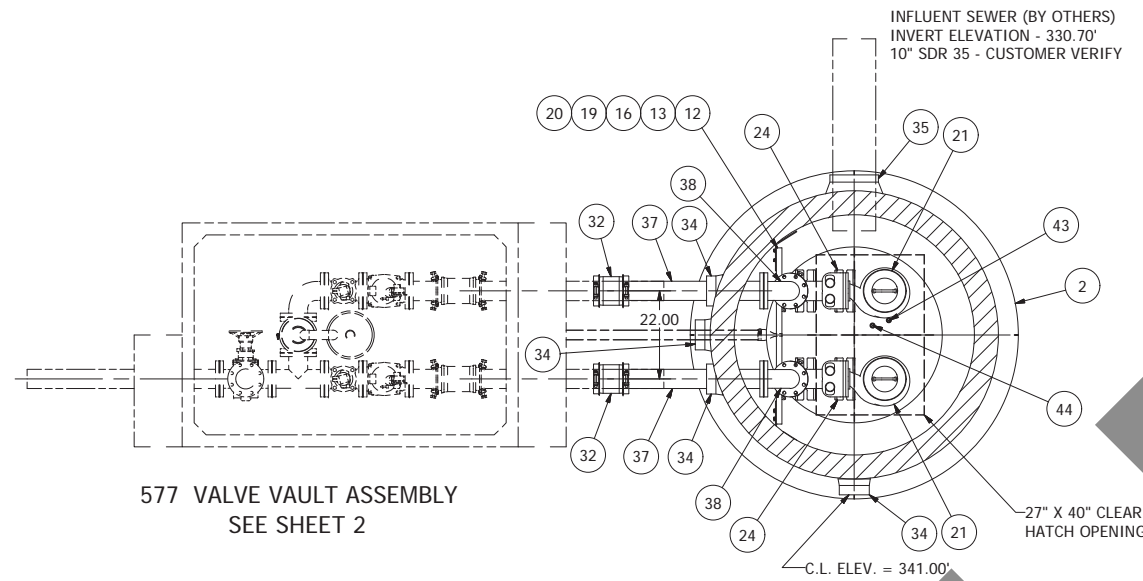
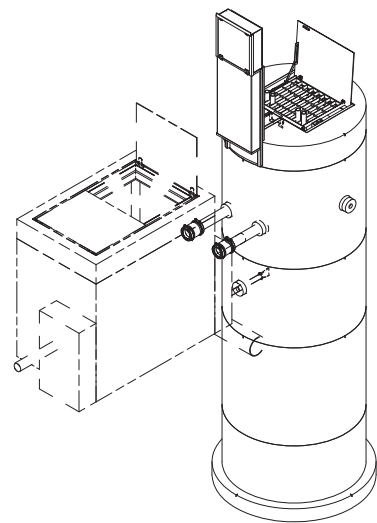
COMPONENT DRAWING

ROMTEC UTILITIES
18240 NORTH BANK ROAD
ROSEBURG, OREGON 97470
(541) 496-9678
FAX (541) 496-0804

GOSSAMER GROVE
10' WET WELL - 6" PIPING

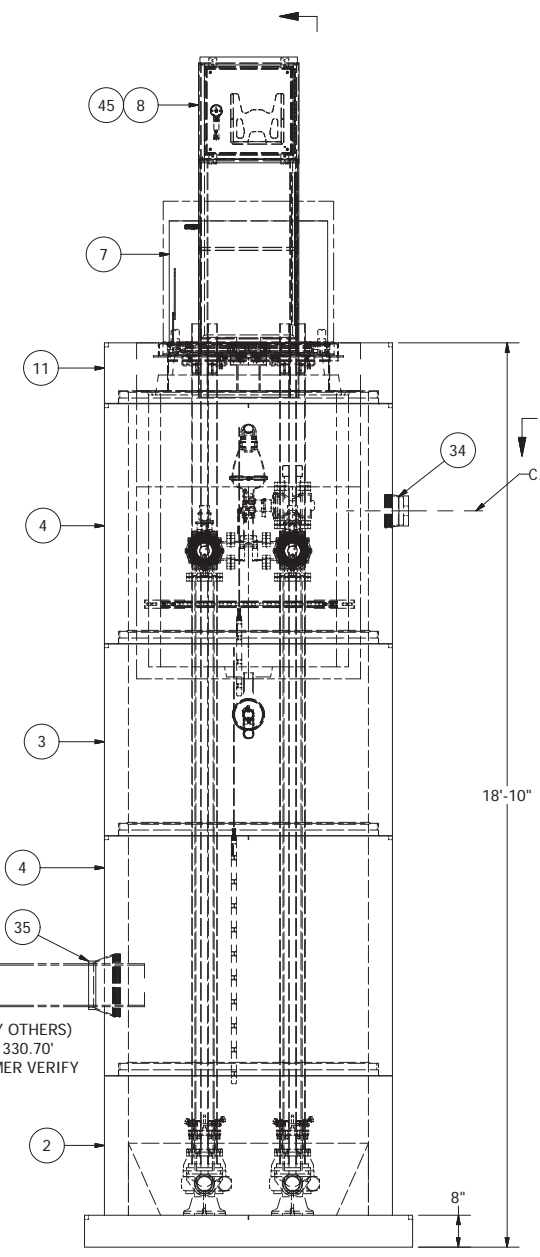
SHEET
1 OF 1

JOB NUMBER
RMTCC
0000



577 VALVE VAULT ASSEMBLY
SEE SHEET 2

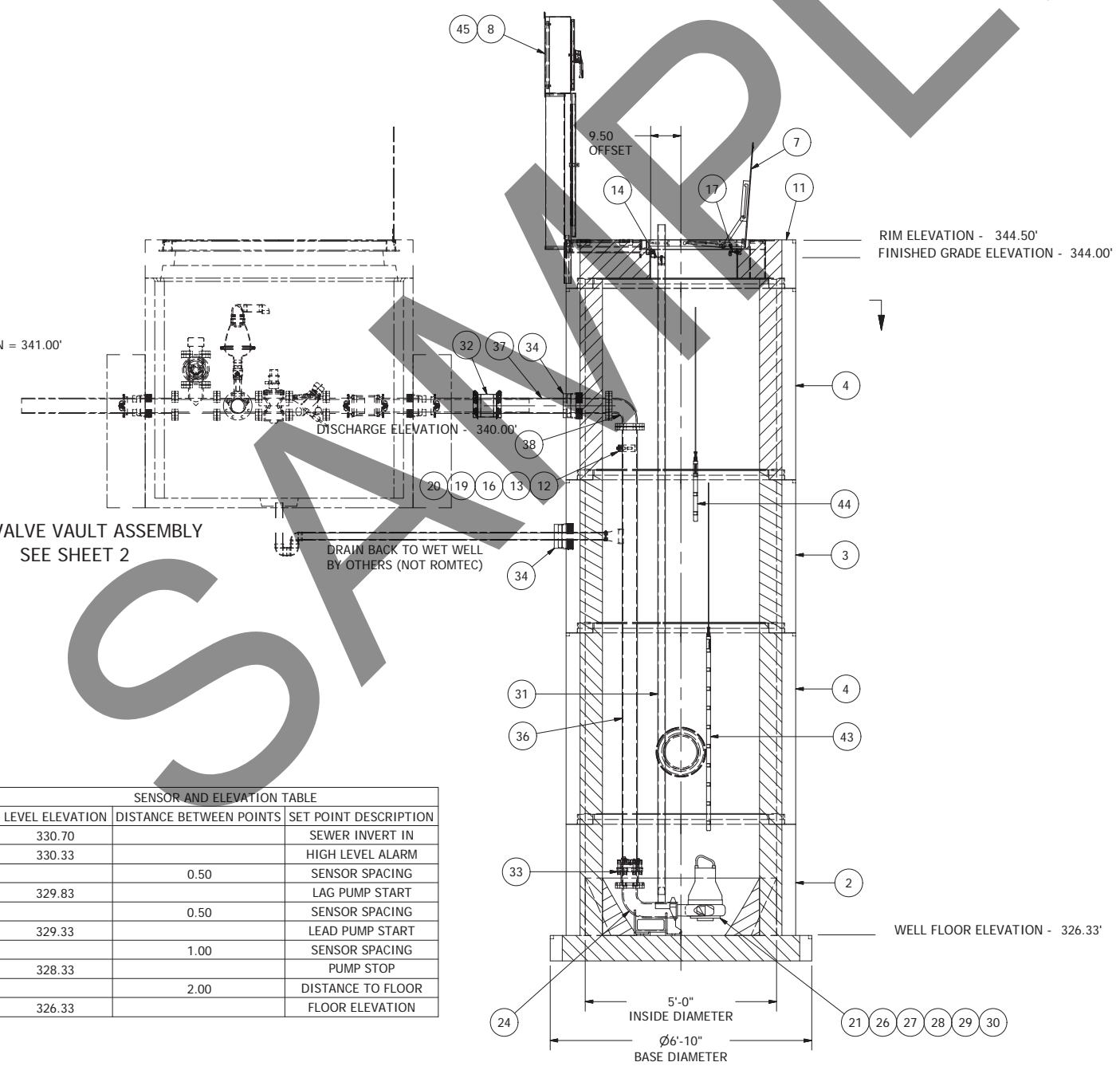
NOTE: WET WELL TOP SLAB IS PEDESTRIAN RATED



INFLUENT SEWER (BY OTHERS)
INVERT ELEVATION - 330.70'
10" SDR 35 - CUSTOMER VERIFY

577 VALVE VAULT ASSEMBLY
SEE SHEET 2

SENSOR AND ELEVATION TABLE		
LEVEL ELEVATION	DISTANCE BETWEEN POINTS	SET POINT DESCRIPTION
330.70		SEWER INVERT IN
330.33		HIGH LEVEL ALARM
	0.50	SENSOR SPACING
329.83		LAG PUMP START
	0.50	SENSOR SPACING
329.33		LEAD PUMP START
	1.00	SENSOR SPACING
328.33		PUMP STOP
	2.00	DISTANCE TO FLOOR
326.33		FLOOR ELEVATION



NOTE: ALL DIMENSIONS AND ELEVATIONS SHOWN ARE NOMINAL DIMENSIONS. IT IS THE RESPONSIBILITY OF THE ON-SITE CONTRACTOR OR ROMTEC UTILITIES CUSTOMER (NOT ROMTEC UTILITIES) TO VERIFY THE ACCURACY OF ANY CRITICAL DIMENSIONS OR ELEVATIONS PRIOR TO SETTING OR INSTALLING ANY EQUIPMENT.

**5' DIAMETER WET WELL
4" DISCHARGE PIPING
NP3085 FLYGT PUMPS
4" - 577 VALVE VAULT**

ALL MATERIALS SHOWN ON THIS SHEET WILL BE SUPPLIED BY ROMTEC UTILITIES AND DELIVERED TO THE SITE AFTER THE HOLE HAS BEEN EXCAVATED AND SHORED. THE CONTRACTOR SHALL SUPPLY A CRANE OF SUFFICIENT SIZE TO LOWER ALL THE CONCRETE PIECES INTO THE HOLE SAFELY. THE CONTRACTOR SHALL INSTALL THE WET WELL (AND VALVE VAULT AND METERING VAULT IF APPLICABLE). ROMTEC UTILITIES WILL PROVIDE A REPRESENTATIVE FOR TECHNICAL ASSISTANCE ON THE DAY OF INSTALLATION TO ANSWER ANY QUESTIONS THAT MAY ARISE. THE CONTRACTOR IS RESPONSIBLE FOR ALL PLUMBING AND ELECTRICAL CONNECTIONS AND INSTALLATION. ITEMS NOTED AS "BY OTHERS" WILL BE PROVIDED AND INSTALLED BY THE CONTRACTOR. ROMTEC UTILITIES WILL NOT INSTALL ANY OF THE COMPONENTS SHOWN ON THIS PAGE.

© 2010 ROMTEC INC. ALL RIGHTS RESERVED. THESE PLANS AND DRAWINGS MAY NOT BE REPRODUCED, ADAPTED, OR FURTHER DISTRIBUTED, AND NO COMPONENTS MAY BE CONSTRUCTED FROM THESE PLANS, WITHOUT WRITTEN PERMISSION OF ROMTEC, INC.

REV	DESCRIPTION	DATE	APPROV
4	CHANGES PER 3/24/11 LAUNCH DOCS	3/24/11	AD
3	CHANGES PER 2/14/11 COMMENTS	2/17/11	AD
2	UPDATED PER COMMENTS	01/20/11	AUI
1	COMPONENT DRAWING	12/10/10	AUI

VERIFY SCALE
BAR IS ONE INCH ON ORIGINAL DRAWING
1"
IF NOT ONE INCH ON THIS SHEET, ADJUST SCALES PROPORTIONALLY
0

DSN - AM
DRN - AM
CKD -
DATE - 12/10/10

ROMTEC UTILITIES
18240 NORTH BANK ROAD
ROSEBURG, OREGON 97470
(541) 496-9678
FAX (541) 496-0804

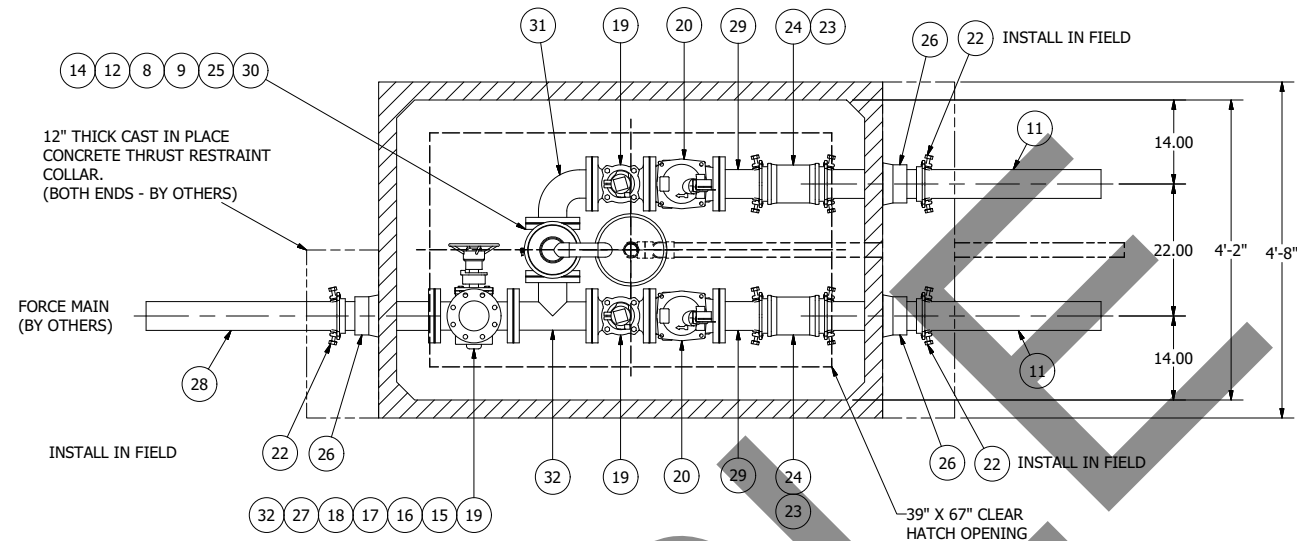
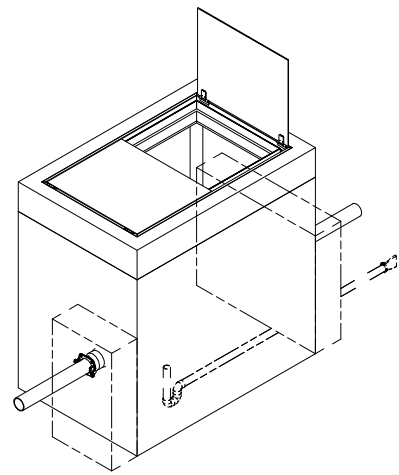
CITY OF SHAFTER
KEVIN HARMON

NORTH PARK

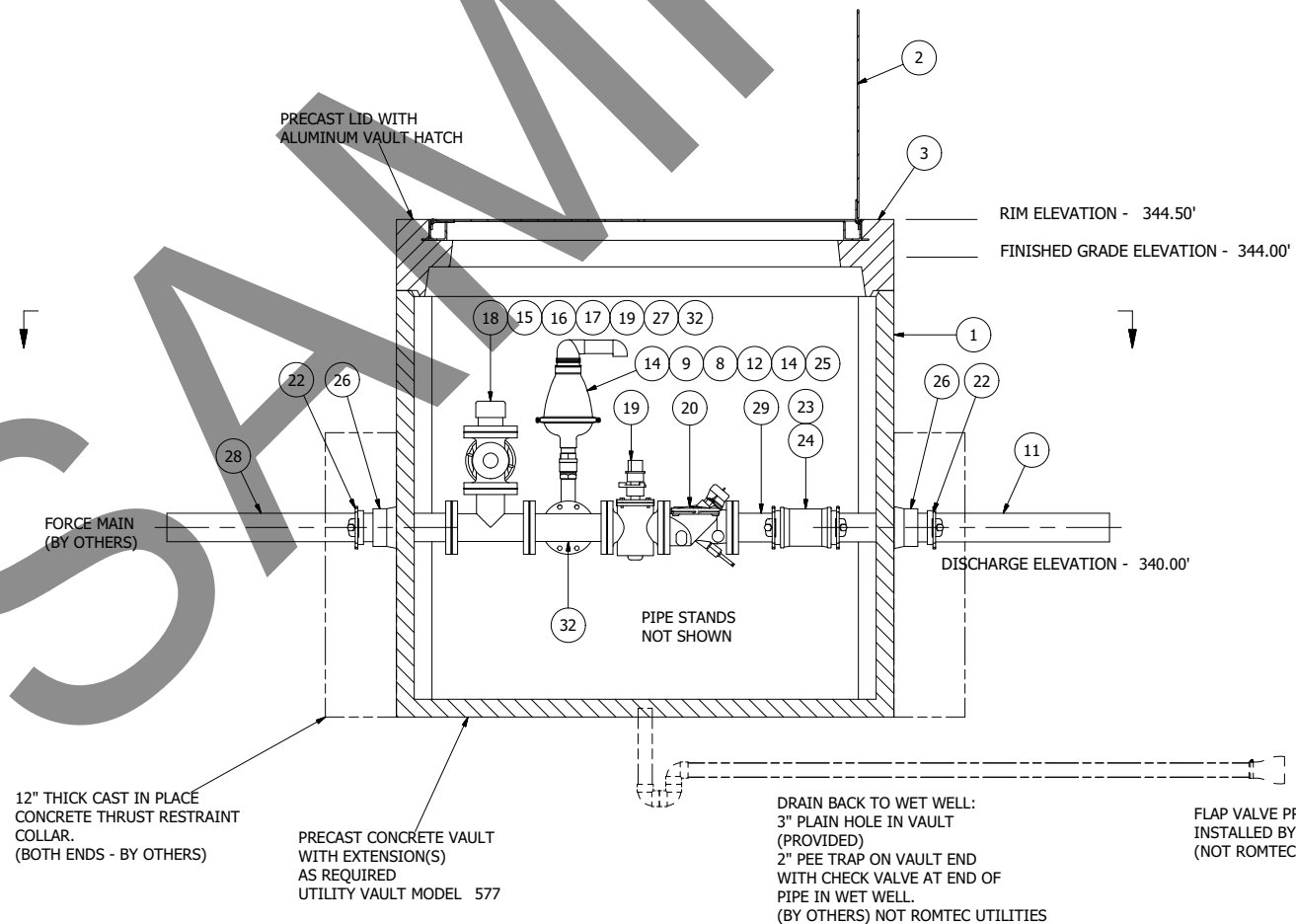
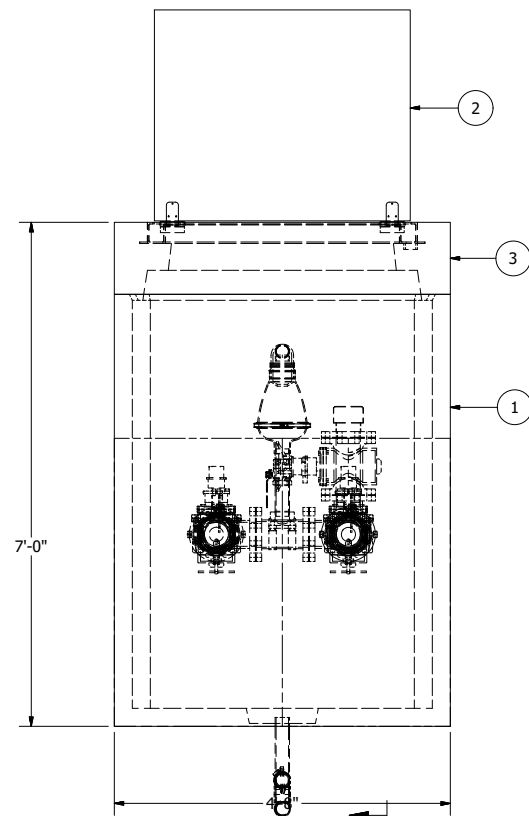
4" - 5' DIA WET WELL

SHEET
1 OF 2

JOB NUMBER
**RMTC
0000**



NOTE: VAULT TOP SLAB IS PEDESTRIAN RATED



NOTE: ALL DIMENSIONS AND ELEVATIONS SHOWN ARE NOMINAL DIMENSIONS. IT IS THE RESPONSIBILITY OF THE ON-SITE CONTRACTOR OR ROMTEC UTILITIES CUSTOMER (NOT ROMTEC UTILITIES) TO VERIFY THE ACCURACY OF ANY CRITICAL DIMENSIONS OR ELEVATIONS PRIOR TO SETTING OR INSTALLING ANY EQUIPMENT.

**577 VALVE VAULT
4\"/>**

DRAIN BACK TO WET WELL:
3\"/>

VERIFY SCALE
BAR IS ONE INCH ON ORIGINAL DRAWING
1"
IF NOT ONE INCH ON THIS SHEET, ADJUST SIZES ACCORDINGLY
0

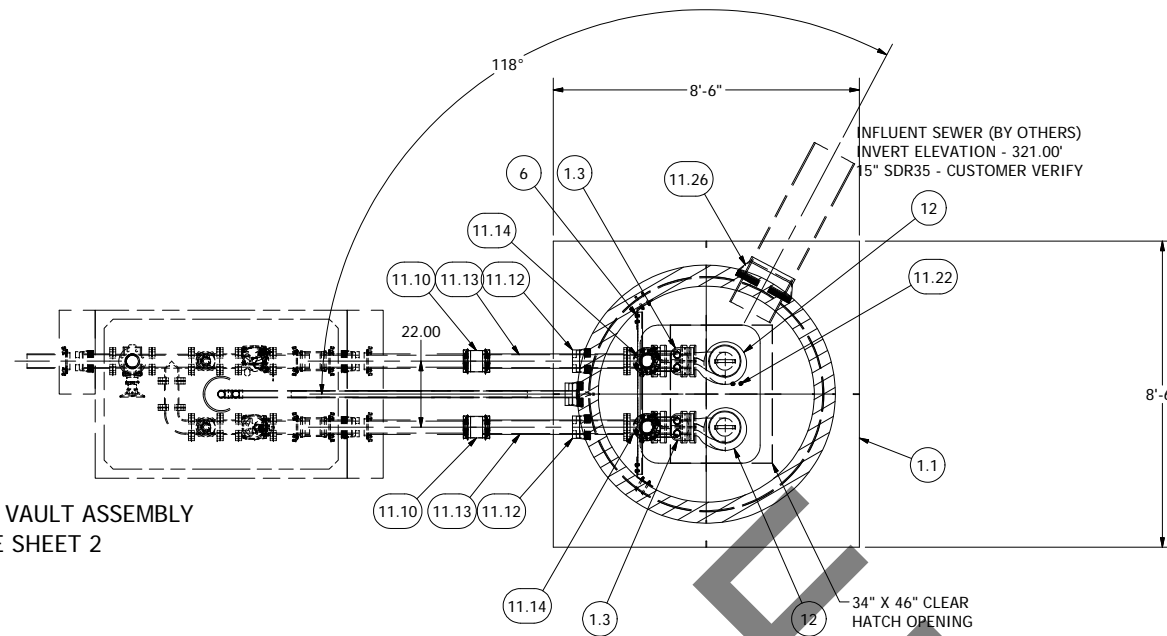
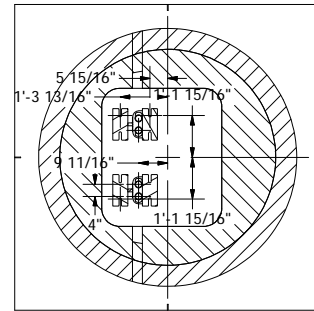
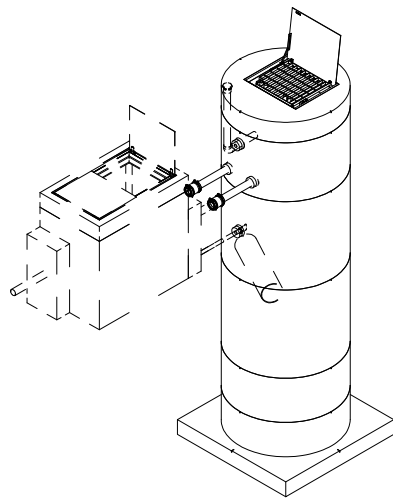
COMPONENT DRAWING

ROMTEC UTILITIES
18240 NORTH BANK ROAD
ROSEBURG, OREGON 97470
(541) 496-9678
FAX (541) 496-0804

CITY OF SHAFTER
KEVIN HARMON
**NORTH PARK
4\"/>**

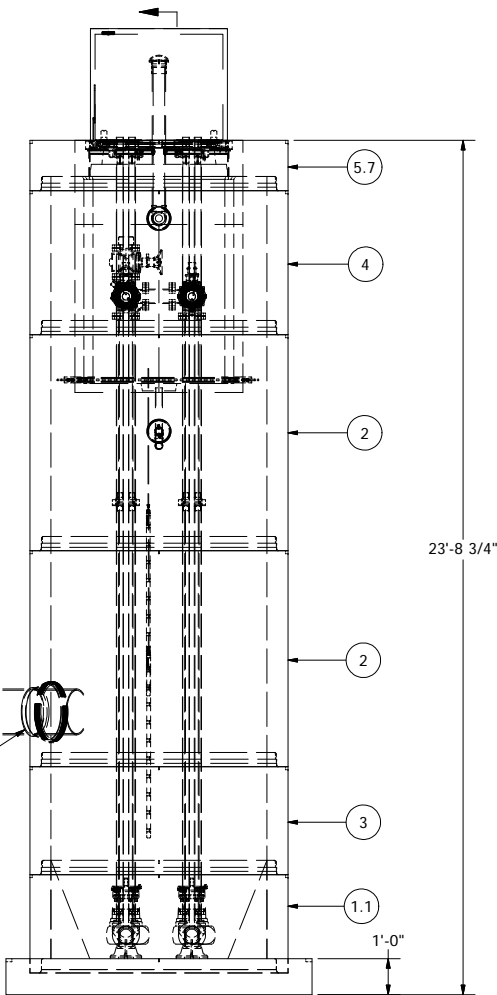
SHEET
2 OF 2
JOB NUMBER
**RMTC
0000**

REV	DESCRIPTION	DATE	APPROV
2	UPDATED PER COMMENTS	01/20/11	AM
1	COMPONENT DRAWING	12/10/10	AM
0			

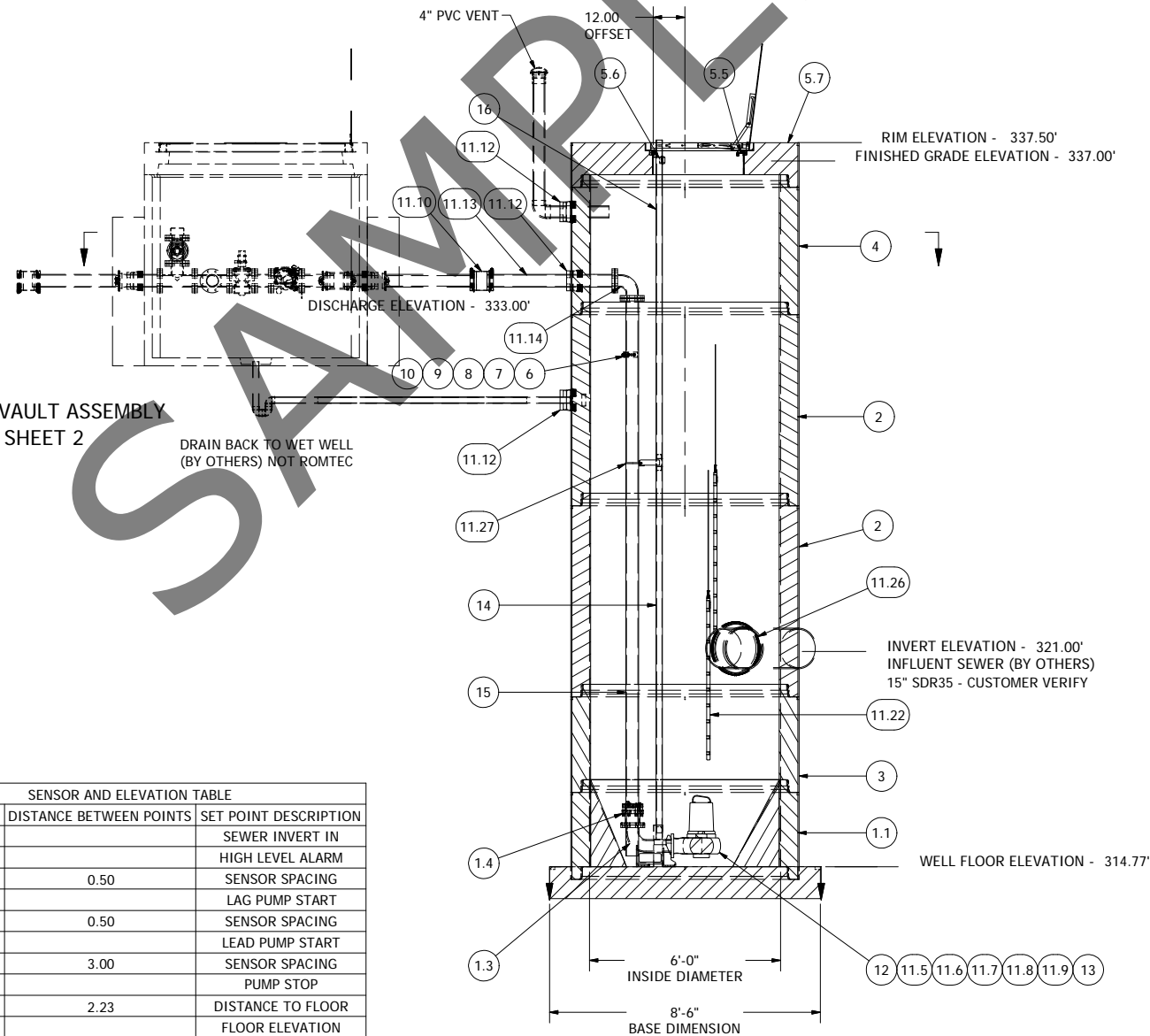


577 VALVE VAULT ASSEMBLY
SEE SHEET 2

NOTE: WET WELL TOP SLAB IS PEDESTRIAN RATED



INFLUENT SEWER (BY OTHERS)
INVERT ELEVATION - 321.50'
15" SDR35 - CUSTOMER VERIFY



577 VALVE VAULT ASSEMBLY
SEE SHEET 2

SENSOR AND ELEVATION TABLE		
LEVEL ELEVATION	DISTANCE BETWEEN POINTS	SET POINT DESCRIPTION
321.00		SEWER INVERT IN
321.00		HIGH LEVEL ALARM
	0.50	SENSOR SPACING
320.50	0.50	LAG PUMP START
	0.50	SENSOR SPACING
320.00		LEAD PUMP START
	3.00	SENSOR SPACING
317.00		PUMP STOP
	2.23	DISTANCE TO FLOOR
314.77		FLOOR ELEVATION

NOTE: ALL DIMENSIONS AND ELEVATIONS SHOWN ARE NOMINAL DIMENSIONS. IT IS THE RESPONSIBILITY OF THE ON-SITE CONTRACTOR OR ROMTEC UTILITIES CUSTOMER (NOT ROMTEC UTILITIES) TO VERIFY THE ACCURACY OF ANY CRITICAL DIMENSIONS OR ELEVATIONS PRIOR TO SETTING OR INSTALLING ANY EQUIPMENT.

6' DIAMETER WET WELL
4" DISCHARGE PIPING
NP3102 FLYGT PUMPS
4" - 577 VALVE VAULT

ALL MATERIALS SHOWN ON THIS SHEET WILL BE SUPPLIED BY ROMTEC UTILITIES AND DELIVERED TO THE SITE AFTER THE HOLE HAS BEEN EXCAVATED AND SHORED. THE CONTRACTOR SHALL SUPPLY A CRANE OF SUFFICIENT SIZE TO LOWER ALL THE CONCRETE PIECES INTO THE HOLE SAFELY. THE CONTRACTOR SHALL INSTALL THE WET WELL (AND VALVE VAULT AND METERING VAULT IF APPLICABLE). ROMTEC UTILITIES WILL PROVIDE A REPRESENTATIVE FOR TECHNICAL ASSISTANCE ON THE DAY OF INSTALLATION TO ANSWER ANY QUESTIONS THAT MAY ARISE. THE CONTRACTOR IS RESPONSIBLE FOR ALL PLUMBING AND ELECTRICAL CONNECTIONS AND INSTALLATION. ITEMS NOTED AS "BY OTHERS" WILL BE PROVIDED AND INSTALLED BY THE CONTRACTOR. ROMTEC UTILITIES WILL NOT INSTALL ANY OF THE COMPONENTS SHOWN ON THIS PAGE.

© 2011 ROMTEC INC. ALL RIGHTS RESERVED. THESE PLANS AND DRAWINGS MAY NOT BE REPRODUCED, ADAPTED, OR FURTHER DISTRIBUTED, AND NO COMPONENTS MAY BE CONSTRUCTED FROM THESE PLANS, WITHOUT WRITTEN PERMISSION OF ROMTEC, INC.

DRAWING GEOMETRY IS ACCURATE AND CREATED AT 1:1 AND FIT TO THE SHEET DO NOT SCALE THIS DRAWING

REV	DESCRIPTION	DATE	APPROV
3	UPDATED PER 07/20/11 COMMENTS	08/01/11	AM
2	ADDED MIXED FLUSH VALVE	05/16/11	AM
1	COMPONENT DRAWING	05/10/11	AM

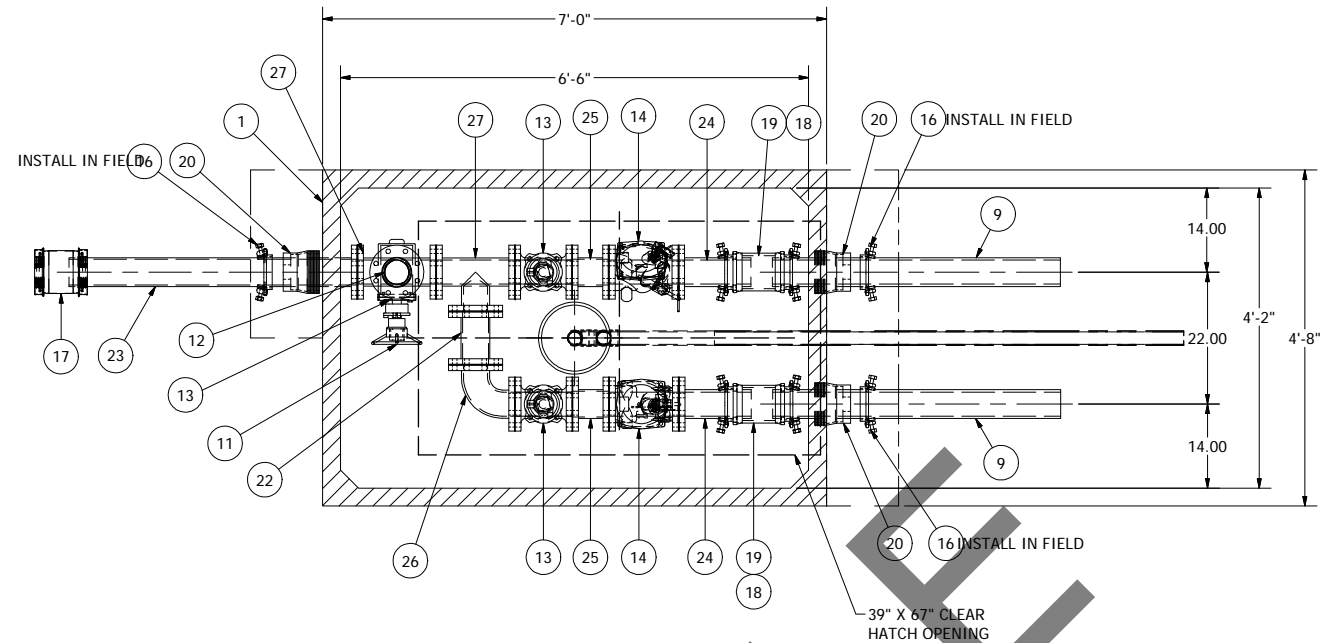
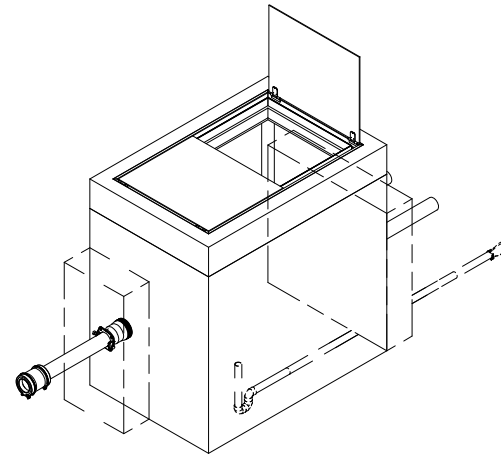
COMPONENT DRAWING

ROMTEC UTILITIES
18240 NORTH BANK ROAD
ROSEBURG, OREGON 97470
(541) 496-9678
FAX (541) 496-0804

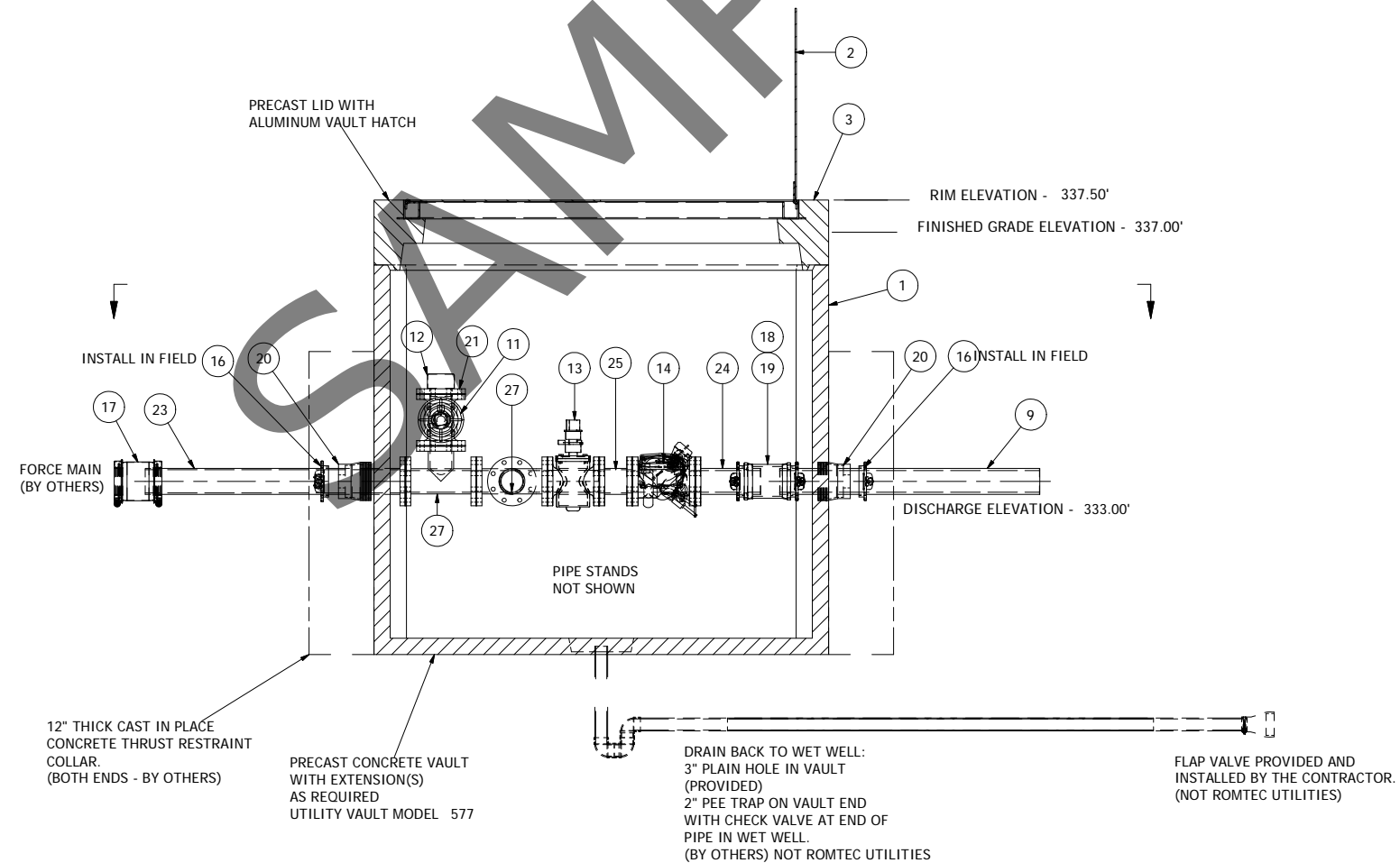
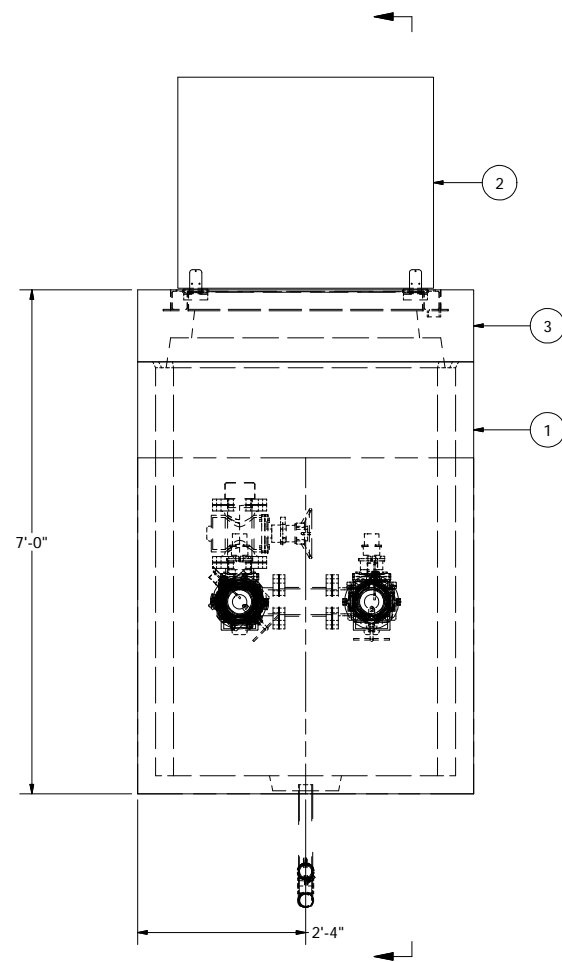
CITY OF SHAFTER
KEVIN HARMON
RODRIGUEZ PARK
4" - 6' DIA WET WELL

SHEET
1 OF 2

JOB NUMBER
RMTC
0000



NOTE: VAULT TOP SLAB IS PEDESTRIAN RATED



NOTE: ALL DIMENSIONS AND ELEVATIONS SHOWN ARE NOMINAL DIMENSIONS. IT IS THE RESPONSIBILITY OF THE ON-SITE CONTRACTOR OR ROMTEC UTILITIES CUSTOMER (NOT ROMTEC UTILITIES) TO VERIFY THE ACCURACY OF ANY CRITICAL DIMENSIONS OR ELEVATIONS PRIOR TO SETTING OR INSTALLING ANY EQUIPMENT.

**577 VALVE VAULT
4" PIPING AND VALVES**

REV	DESCRIPTION	DATE	APPROV
3	ADDED PIGGING PORT	12/05/12	NG
2	UPDATED PER 07/20/11 COMMENTS	08/03/11	AM
1	COMPONENT DRAWING	05/10/11	AM
	REVISION HISTORY		

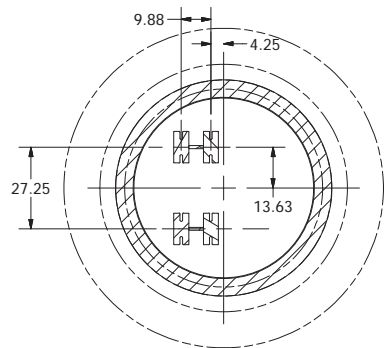
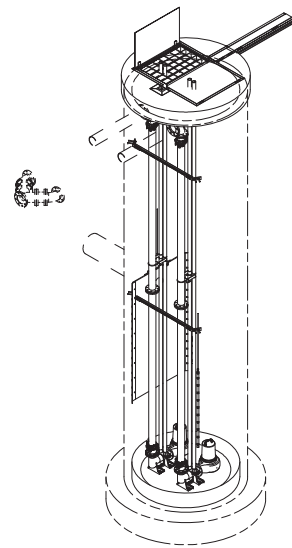
DRAWING GEOMETRY IS ACCURATE AND CREATED AT 1:1 AND FIT TO THE SHEET. DO NOT SCALE THIS DRAWING.

DSN - AM
DIRN - AM
CKD -
DATE - 05/10/11

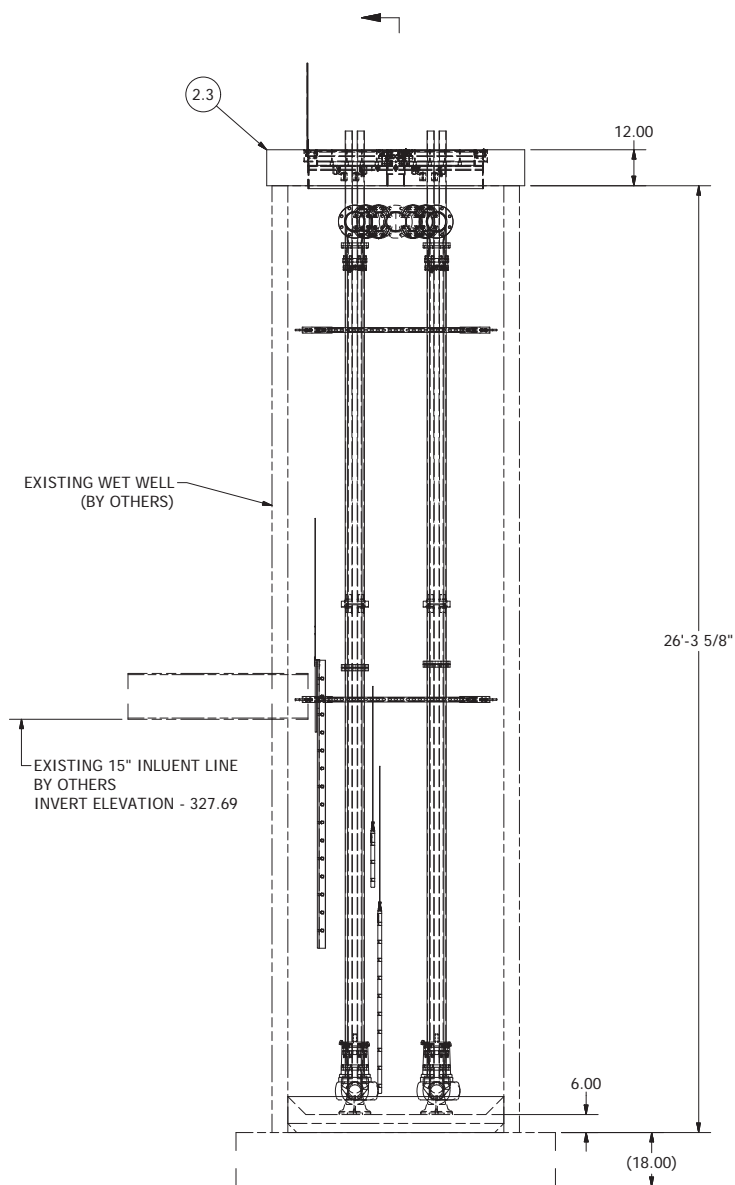
**COMPONENT
DRAWING**



CITY OF SHAFTER
KEVIN HARMON
**RODRIGUEZ PARK
4" - 577 VALVE VAULT**

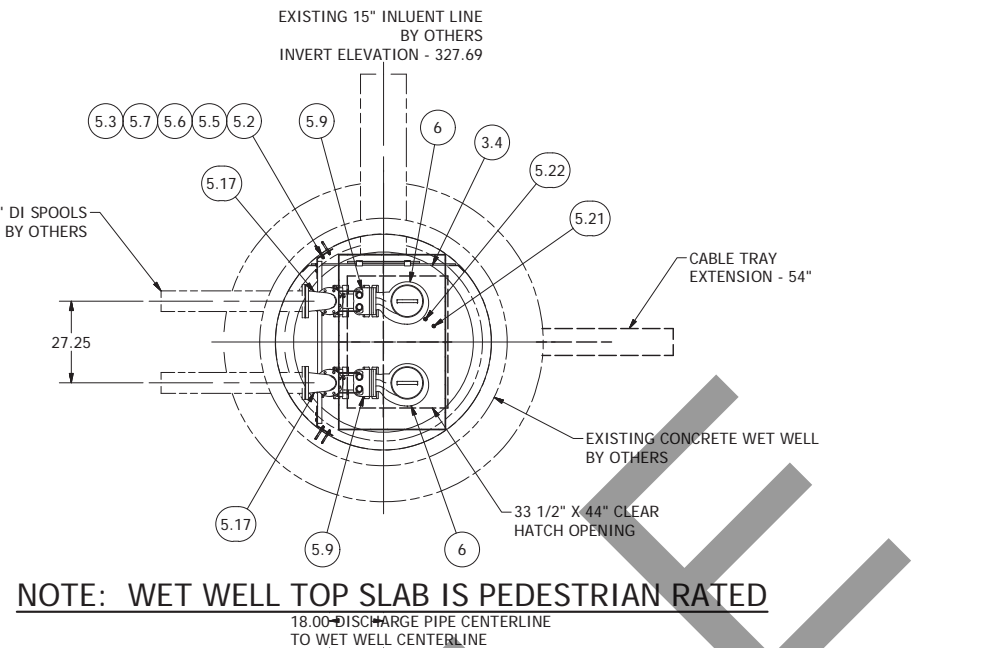


ANCHOR BOLT LAYOUT
THIS IS A REFERENCE DRAWING.
ELBOWS MUST BE FIELD VERIFIED SO THEY
ARE PLUMB WITH THE DISCHARGE PIPE ELBOW.

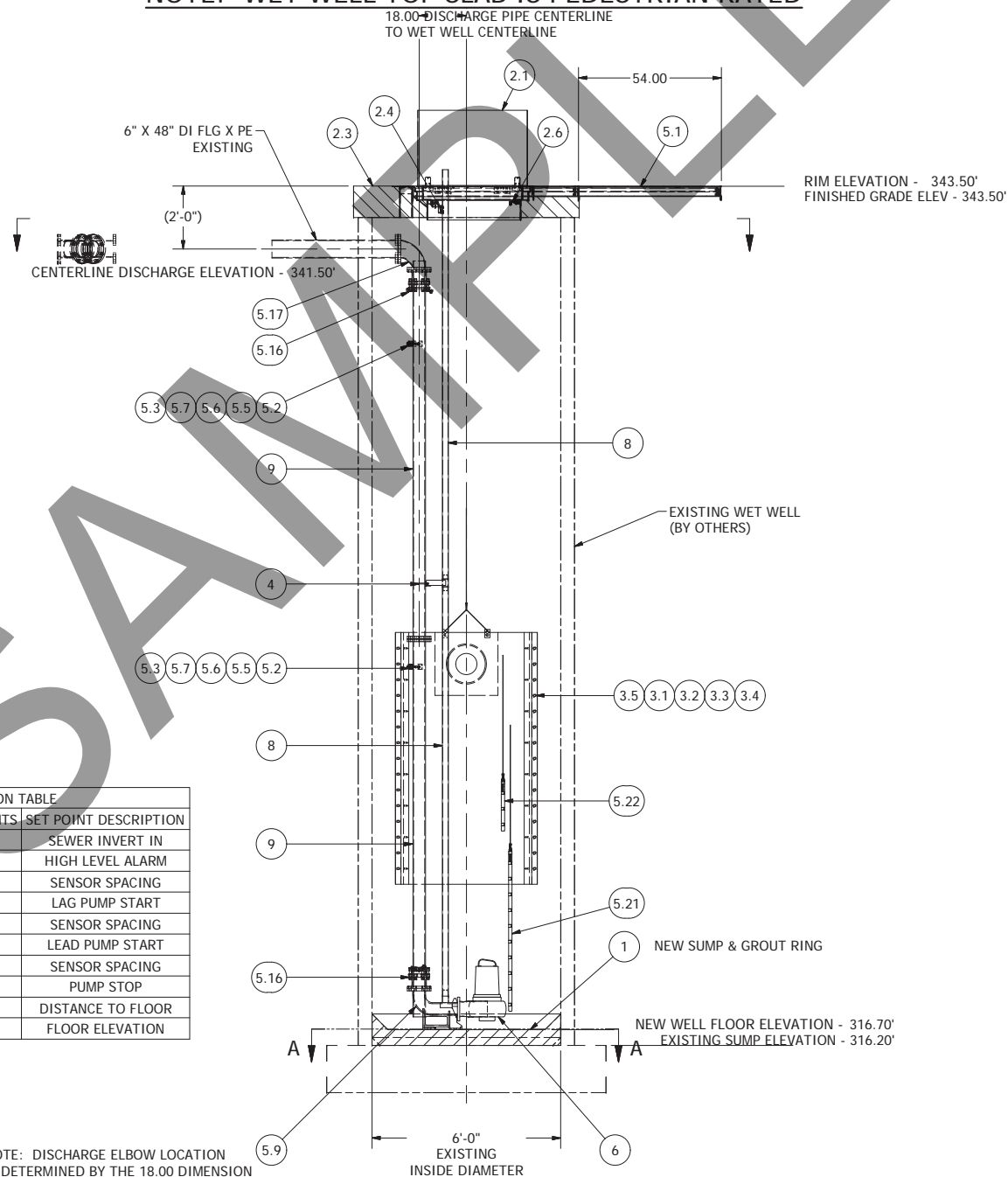


© 2011 ROMTEC INC. ALL RIGHTS RESERVED. THESE PLANS AND DRAWINGS MAY NOT BE REPRODUCED, ADAPTED, OR FURTHER DISTRIBUTED, AND NO COMPONENTS MAY BE CONSTRUCTED FROM THESE PLANS, WITHOUT WRITTEN PERMISSION OF ROMTEC, INC.

NOTE: VALVE YOKE IS SHOWN FOR REFERENCE ONLY.



NOTE: WET WELL TOP SLAB IS PEDESTRIAN RATED



SENSOR AND ELEVATION TABLE		
LEVEL ELEVATION	DISTANCE BETWEEN POINTS	SET POINT DESCRIPTION
327.69		SEWER INVERT IN
322.70		HIGH LEVEL ALARM
322.20	0.50	SENSOR SPACING
		LAG PUMP START
321.70	0.50	SENSOR SPACING
		LEAD PUMP START
318.70	3.00	SENSOR SPACING
		PUMP STOP
316.70	2.00	DISTANCE TO FLOOR
		FLOOR ELEVATION

NOTE: DISCHARGE ELBOW LOCATION IS DETERMINED BY THE 18.00 DIMENSION FROM THE DISCHARGE PIPE CENTERLINE TO THE WET WELL CENTERLINE.

NOTE: ALL DIMENSIONS AND ELEVATIONS SHOWN ARE NOMINAL DIMENSIONS. IT IS THE RESPONSIBILITY OF THE ON-SITE CONTRACTOR OR ROMTEC UTILITIES CUSTOMER (NOT ROMTEC UTILITIES) TO VERIFY THE ACCURACY OF ANY CRITICAL DIMENSIONS OR ELEVATIONS PRIOR TO SETTING OR INSTALLING ANY EQUIPMENT.

6' DIAMETER WET WELL 4" & 6" DISCHARGE PIPING NP3102 FLYGT PUMPS WITH EXISTING VALVE VAULT

ALL MATERIALS SHOWN ON THIS SHEET WILL BE SUPPLIED BY ROMTEC UTILITIES AND DELIVERED TO THE SITE AFTER THE HOLE HAS BEEN EXCAVATED AND SHORED. THE CONTRACTOR SHALL SUPPLY A CRANE OF SUFFICIENT SIZE TO LOWER ALL THE CONCRETE PIECES INTO THE HOLE SAFELY. THE CONTRACTOR SHALL INSTALL THE WET WELL (AND VALVE VAULT AND METERING VAULT IF APPLICABLE). ROMTEC UTILITIES WILL PROVIDE A REPRESENTATIVE FOR TECHNICAL ASSISTANCE ON THE DAY OF INSTALLATION TO ANSWER ANY QUESTIONS THAT MAY ARISE. THE CONTRACTOR IS RESPONSIBLE FOR ALL PLUMBING AND ELECTRICAL CONNECTIONS AND INSTALLATION. ITEMS NOTED AS "BY OTHERS" WILL BE PROVIDED AND INSTALLED BY THE CONTRACTOR. ROMTEC UTILITIES WILL NOT INSTALL ANY OF THE COMPONENTS SHOWN ON THIS PAGE.

REV	DESCRIPTION	DATE	APPROV
5	UPDATED TOP SLAB	8/19/11	AD
4	UPDATE FOR LAUNCH DOCS	8/10/11	AD
3	ADDED CABLE TRAY EXTENSION - NEW	07/22/11	AM
2	CHANGED NEW SLAB THICKNESS	6/21/11	AD
1	COMPONENT DRAWING	06/15/11	AM

DRAWING GEOMETRY IS ACCURATE. THIS DRAWING IS NOT TO BE USED AS A CONSTRUCTION DOCUMENT. DO NOT SCALE THIS DRAWING.

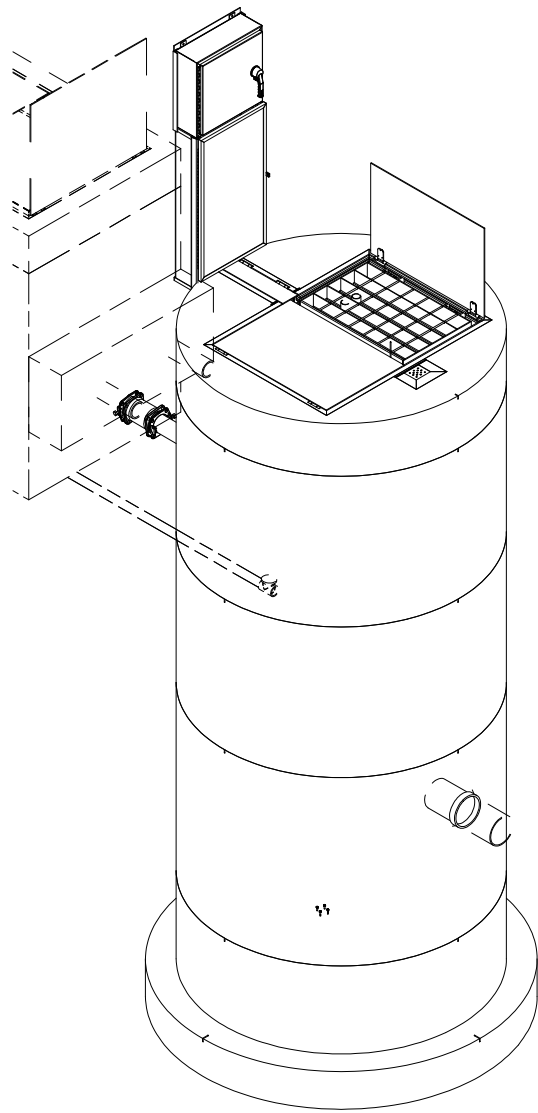
DSN - AM
DIRN - AM
CKD - AM
DATE - 06/15/11

COMPONENT DRAWING

ROMTEC UTILITIES
18240 NORTH BANK ROAD
ROSEBURG, OREGON 97470
(541) 496-9678
FAX (541) 496-0804

MARK LIFT STATION RETROFIT 4" - 6" DIA WET WELL

SHEET
1 OF 1
JOB NUMBER
**RMTC
0000**



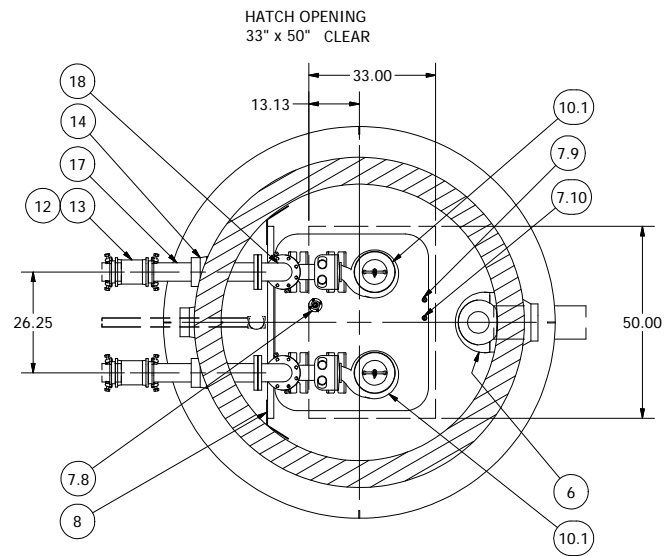
6' DIAMETER WET WELL
 4" DISCHARGE PIPING
 FLYGT NP3085MT PUMPS
 4" 577 VALVE VAULT

4" VALVE VAULT ASSEMBLY
 SEE SHEET 2

NOTE:
 CONDUIT TO CONTROL PANEL (BY OTHERS)
 MINIMUM:
 (2) FOR POWER
 (1) FOR LEVEL SENSING

ALL MATERIALS SHOWN ON THIS SHEET WILL BE SUPPLIED BY ROMTEC UTILITIES AND DELIVERED TO THE SITE AFTER THE HOLE HAS BEEN EXCAVATED AND SHORED. THE CONTRACTOR SHALL SUPPLY A CRANE OF SUFFICIENT SIZE TO LOWER ALL THE CONCRETE PIECES INTO THE HOLE SAFELY. THE CONTRACTOR SHALL INSTALL THE WET WELL (AND VALVE VAULT AND METERING VAULT IF APPLICABLE). ROMTEC UTILITIES WILL PROVIDE A REPRESENTATIVE FOR TECHNICAL ASSISTANCE ON THE DAY OF INSTALLATION TO ANSWER ANY QUESTIONS THAT MAY ARISE. THE CONTRACTOR IS RESPONSIBLE FOR ALL PLUMBING AND ELECTRICAL CONNECTIONS AND INSTALLATION. ITEMS NOTED AS "BY OTHERS" WILL BE PROVIDED AND INSTALLED BY THE CONTRACTOR. ROMTEC UTILITIES WILL NOT INSTALL ANY OF THE COMPONENTS SHOWN ON THIS PAGE.

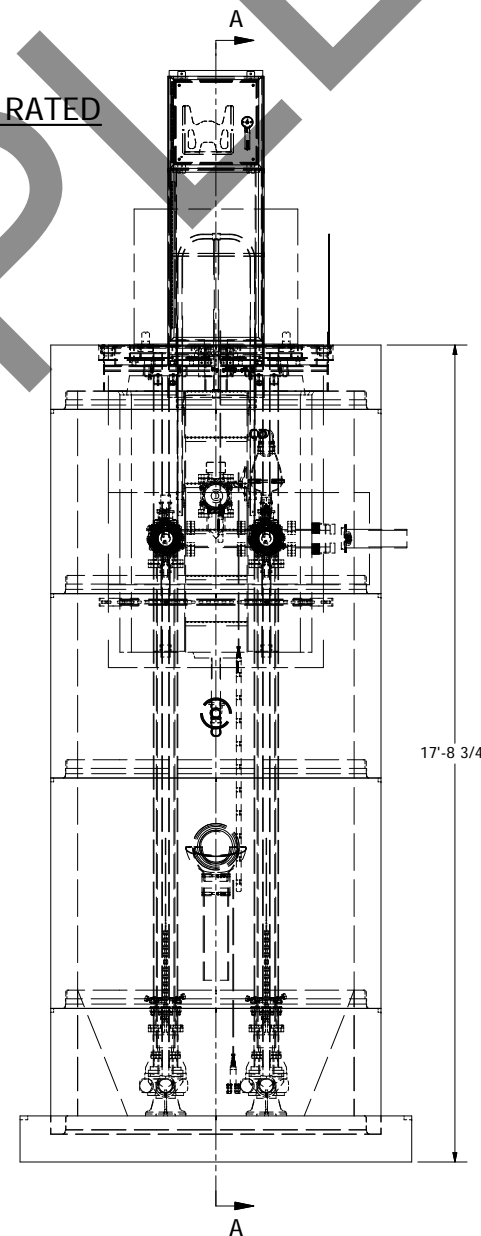
© 2015 ROMTEC INC. ALL RIGHTS RESERVED. THESE PLANS AND DRAWINGS MAY NOT BE REPRODUCED, ADAPTED, OR FURTHER DISTRIBUTED, AND NO COMPONENTS MAY BE CONSTRUCTED FROM THESE PLANS, WITHOUT WRITTEN PERMISSION OF ROMTEC, INC.



TOP VIEW
 SECTION B-B
 SCALE 1 / 25



PROFILE VIEW
 SECTION A-A
 SCALE 1 / 25



INLET SIDE VIEW
 SCALE 1 / 25

SENSOR AND ELEVATION TABLE		
LEVEL ELEVATION	DISTANCE BETWEEN POINTS	SET POINT DESCRIPTION
338.08'		INVERT IN
-		BACK UP PUMPS START
-		SENSOR SPACING
-		BACK UP PUMPS STOP
-		SENSOR SPACING
-		BACK UP HL ALARM
337.57'		HIGH LEVEL ALARM
	0.50'	SENSOR SPACING
337.07'		LAG PUMP START
	0.50'	SENSOR SPACING
336.57'		LEAD PUMP START
	2.50'	SENSOR SPACING
334.07'		PUMP STOP
	1.50'	DISTANCE TO FLOOR
332.57'		FLOOR ELEVATION

NOTE: WET WELL TOP SLAB IS PEDESTRIAN RATED

NOTE: ALL DIMENSIONS AND ELEVATIONS SHOWN ARE NOMINAL DIMENSIONS. IT IS THE RESPONSIBILITY OF THE ON-SITE CONTRACTOR OR ROMTEC UTILITIES CUSTOMER (NOT ROMTEC UTILITIES) TO VERIFY THE ACCURACY OF ANY CRITICAL DIMENSIONS OR ELEVATIONS PRIOR TO SETTING OR INSTALLING ANY EQUIPMENT.

VERIFY SCALE
 BAR IS ONE INCH ON ORIGINAL DRAWING
 1" = 1' IF NOT ONE INCH ON THIS SHEET, ADJUST SCALES ACCORDINGLY

DSN - KEVIN BOGAN
 DRN - KEVIN BOGAN
 CKD - KEVIN BOGAN
 DATE - 8-20-15

REVISION HISTORY

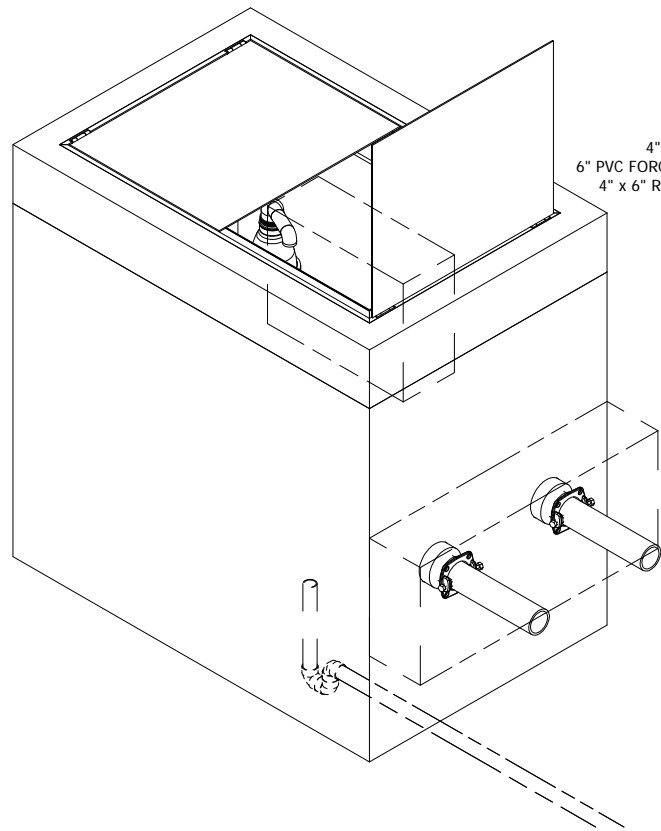
REV	DESCRIPTION	DATE	APPROV
1	REVISD PER COMMENTS	9-14-15	AD
0	INITIAL DESIGN	8-20-15	KB

CITY OF SHAFTER
 TULARE AVE.
 WET WELL ASSEMBLY

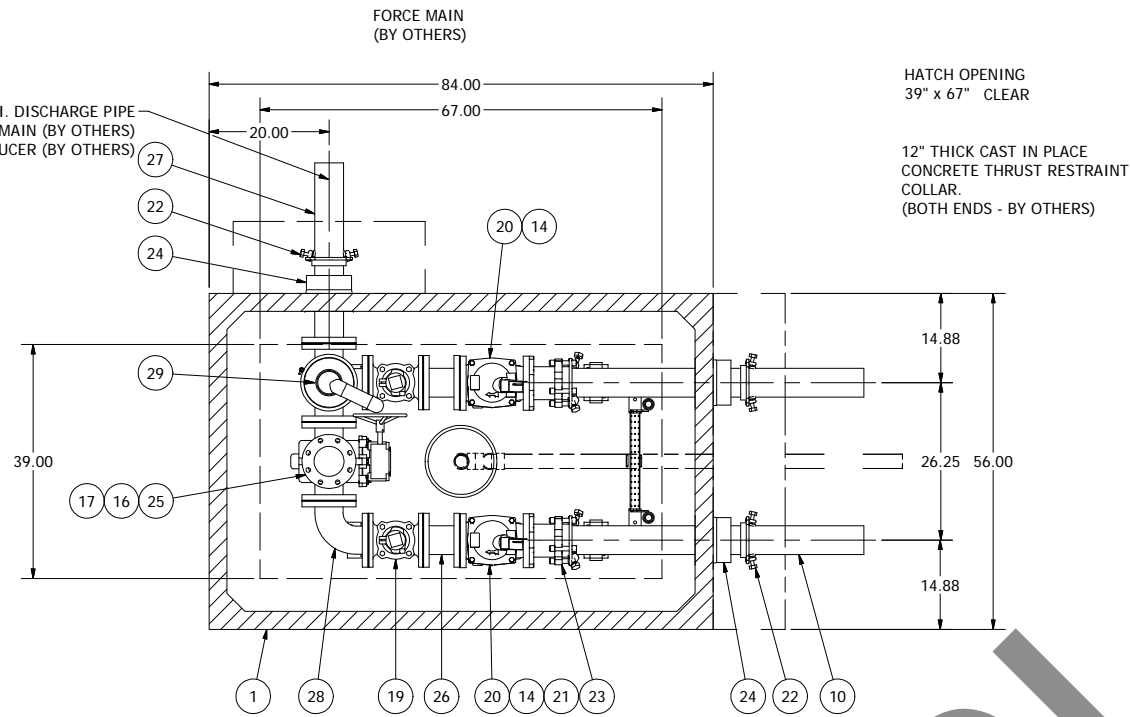
SHEET
 1 OF 2
 JOB NUMBER
 RMTC
 0000

ROMTEC UTILITIES
 18240 NORTH BANK ROAD
 ROSEBURG, OREGON 97470
 (541) 496-9678
 FAX (541) 496-0804

COMPONENT DRAWING



**577 VALVE VAULT
4" PIPING AND VALVES
W/ PUMPING PORT**

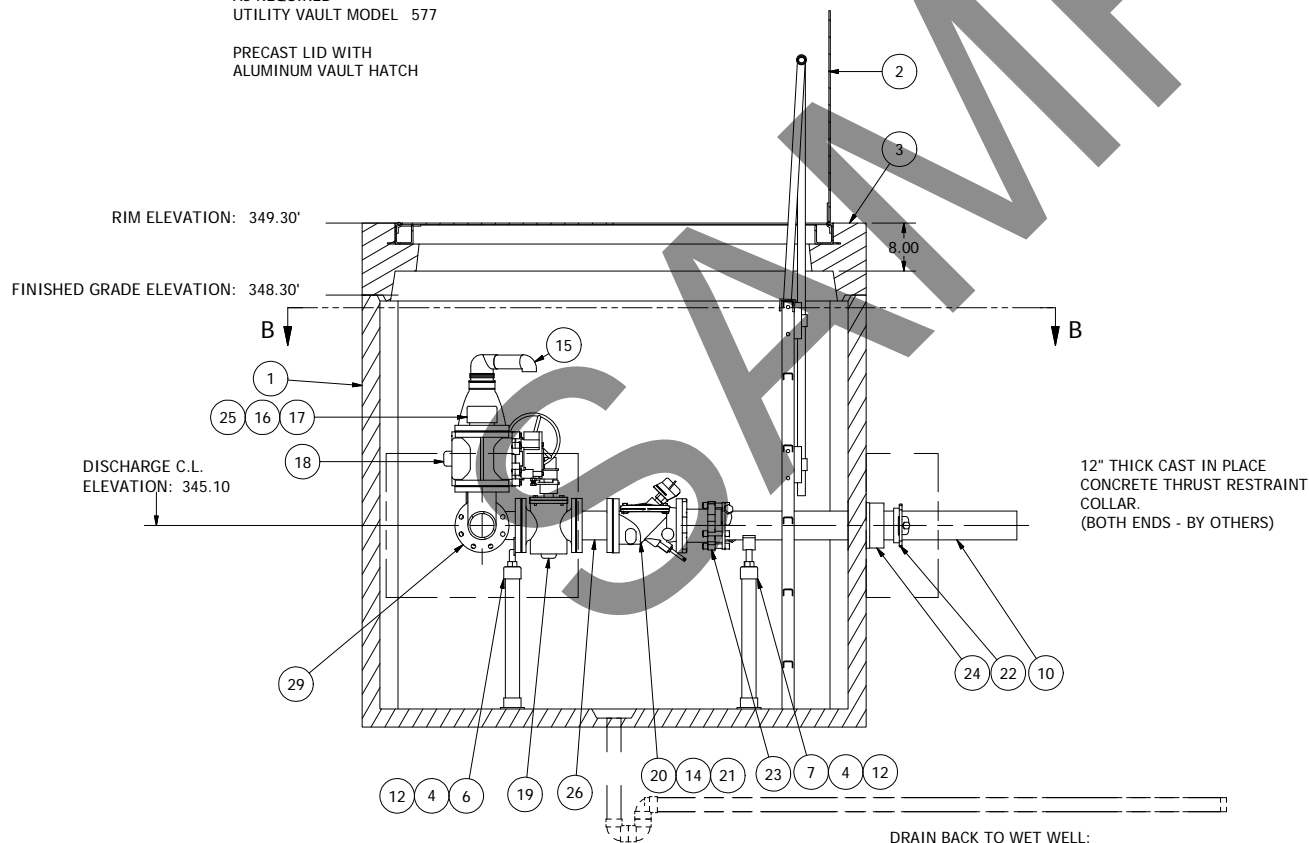


TOP VIEW
SECTION B-B
SCALE 1 / 16

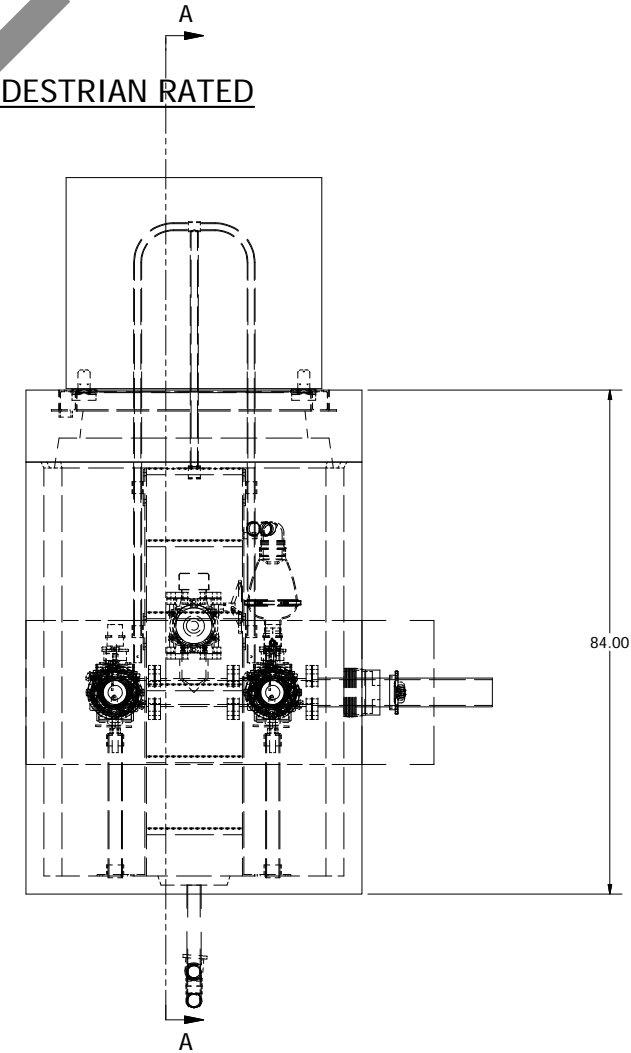
NOTE: VAULT TOP SLAB IS PEDESTRIAN RATED

PRECAST CONCRETE VAULT
WITH EXTENSION(S)
AS REQUIRED
UTILITY VAULT MODEL 577

PRECAST LID WITH
ALUMINUM VAULT HATCH



PROFILE VIEW
SECTION A-A
SCALE 1 / 16



INLET SIDE VIEW
SCALE 1 / 16

ALL MATERIALS SHOWN ON THIS SHEET WILL BE SUPPLIED BY ROMTEC UTILITIES AND DELIVERED TO THE SITE AFTER THE HOLE HAS BEEN EXCAVATED AND SHORED. THE CONTRACTOR SHALL SUPPLY A CRANE OF SUFFICIENT SIZE TO LOWER ALL THE CONCRETE PIECES INTO THE HOLE SAFELY. THE CONTRACTOR SHALL INSTALL THE WET WELL (AND VALVE VAULT AND METERING VAULT IF APPLICABLE). ROMTEC UTILITIES WILL PROVIDE A REPRESENTATIVE FOR TECHNICAL ASSISTANCE ON THE DAY OF INSTALLATION TO ANSWER ANY QUESTIONS THAT MAY ARISE. THE CONTRACTOR IS RESPONSIBLE FOR ALL PLUMBING AND ELECTRICAL CONNECTIONS AND INSTALLATION. ITEMS NOTED AS "BY OTHERS" WILL BE PROVIDED AND INSTALLED BY THE CONTRACTOR. ROMTEC UTILITIES WILL NOT INSTALL ANY OF THE COMPONENTS SHOWN ON THIS PAGE.

© 2015 ROMTEC INC. ALL RIGHTS RESERVED. THESE PLANS AND DRAWINGS MAY NOT BE REPRODUCED, ADAPTED, OR FURTHER DISTRIBUTED, AND NO COMPONENTS MAY BE CONSTRUCTED FROM THESE PLANS, WITHOUT WRITTEN PERMISSION OF ROMTEC, INC.

NOTE: ALL DIMENSIONS AND ELEVATIONS SHOWN ARE NOMINAL DIMENSIONS. IT IS THE RESPONSIBILITY OF THE ON-SITE CONTRACTOR OR ROMTEC UTILITIES CUSTOMER (NOT ROMTEC UTILITIES) TO VERIFY THE ACCURACY OF ANY CRITICAL DIMENSIONS OR ELEVATIONS PRIOR TO SETTING OR INSTALLING ANY EQUIPMENT.

VERIFY SCALE
BAR IS ONE INCH ON
ORIGINAL DRAWING
1"
0
IF NOT ONE INCH ON
THIS SHEET, ADJUST
SCALE ACCORDINGLY

DSN - KEVIN BOGAN	1	REVISED PER COMMENTS	9-14-15	AD
DRN - KEVIN BOGAN	0	INITIAL DESIGN	8-20-15	KB
CKD - KEVIN BOGAN	0	DESCRIPTION	DATE	APPROV
DATE - 8-20-15	REV	REVISION HISTORY		

COMPONENT
DRAWING

**ROMTEC
UTILITIES**
18240 NORTH BANK ROAD
ROSEBURG, OREGON 97470
(541) 496-9678
FAX (541) 496-0804

CITY OF SHAFTER
TULARE AVE.
VALVE VAULT ASSEMBLY

SHEET
2 OF 2

JOB NUMBER
RMTC
0000